

Wi-Fi® Garage Door Openers

Chain Drive Models - 8160W 8160WB 8164W 8165W 8365W-267

Belt Drive Models - 8155W

FOR RESIDENTIAL USE ONLY



- Please read this manual and the safety materials carefully!
- The door **WILL NOT CLOSE** unless the Protector System® is connected and properly aligned.
- Periodic checks of the garage door opener are required to ensure safe operation.
- This garage door opener is **ONLY** compatible with myQ® and Security+ 2.0® accessories.
- **DO NOT** install on a one-piece door if using devices or features providing unattended close. Unattended devices and features are to be used **ONLY** with sectional doors.
- Attach warning labels to the location indicated on label.

Download the myQ®
App



Available on most iOS and Android Devices

LiftMaster
300 Windsor Drive
Oak Brook, IL 60523

LiftMaster®

Table of Contents

Preparation	3
Carton Inventory: Models 8160W, 8160WB, 8164W, 8165W, and 8365W-267	6
Carton Inventory: Model 8155W	7
Assembly	8
Models 8160W, 8160WB, 8164W*, 8165W, and 8365W-267	8
Model 8155W	9
Installation	10
Install the Door Control	19
Install the Protector System	22
Power	26
Adjustments	29
Battery Backup	32
Operation	34
Maintenance	42
Troubleshooting	43
Accessories	45
Warranty	46
Automatic Garage Door Opener Safety & Maintenance Guide	47
Repair Parts	49
Models 8160W, 8160WB, 8164W, 8165W, and 8365W-267	49
Models 8160W and 8160WB	50
Models 8164W and 8165W	51
Model 8365W-267	52
Model 8155W	53

Preparation

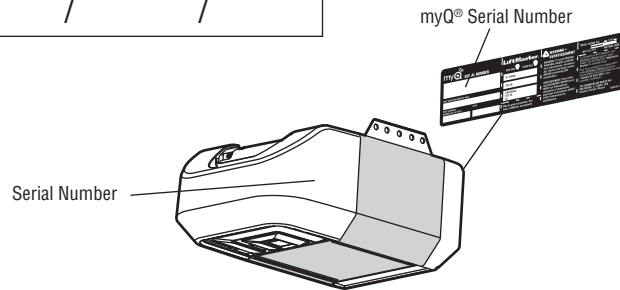
myQ® Serial Number

Write down the following information for future reference:

myQ® Serial Number:

Product Serial Number:

Date of Purchase:



Safety Symbol and Signal Word Review

This garage door opener has been designed and tested to offer safe service provided it is installed, operated, maintained and tested in strict accordance with the instructions and warnings contained in this manual.

When you see these Safety Symbols and Signal Words on the following pages, they will alert you to the possibility of **serious injury or death** if you do not comply with the warnings that accompany them. The hazard may come from something mechanical or from electric shock. Read the warnings carefully.

 **WARNING**

Mechanical

 **WARNING**

Electrical

When you see this Signal Word on the following pages, it will alert you to the possibility of damage to your garage door and/or the garage door opener if you do not comply with the cautionary statements that accompany it. Read them carefully.

 **CAUTION**



WARNING: This product can expose you to chemicals including lead, which are known to the State of California to cause cancer or birth defects or other reproductive harm. For more information go to www.P65Warnings.ca.gov

Unattended Operation

The Timer-to-Close (TTC) feature, the myQ® App, and myQ® Garage Door and Gate Monitor are examples of unattended close and are to be used **ONLY** with sectional doors. Any device or feature that allows the door to close without being in the line of sight of the door is considered unattended close. The Timer-to-Close (TTC) feature, the myQ® App, and any other myQ® devices are to be used **ONLY** with sectional doors.

Preparation

Before You Connect with Your Smartphone

Monitor and control your garage door from anywhere using the myQ® App.

You will need:

- Wi-Fi® enabled smartphone, tablet or laptop
- Broadband Internet Connection
- Wi-Fi® signal in the garage (**2.4 GHz, 802.11b/g/n required**)
- Password for your home network (router's main account, not guest network)

TEST THE WI-FI® SIGNAL STRENGTH

Make sure your mobile device is connected to your Wi-Fi® network. Hold your mobile device in the place where your garage door opener will be installed and check the Wi-Fi® signal strength.



Check Signal Strength. If you see:



Wi-Fi signal is strong.
The garage door opener will connect to your Wi-Fi network.

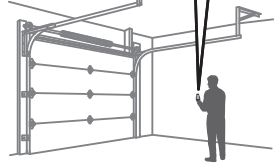


Wi-Fi signal is weak.
The garage door opener may connect to your Wi-Fi network. If not, try one of the options below to improve the Wi-Fi signal:



No Wi-Fi signal.
The garage door opener will not be able to connect to your Wi-Fi network. Try one of the options below to improve the Wi-Fi signal:

- Move your router closer to the garage door opener to minimize interference from walls and other objects
- Buy a Wi-Fi range extender



Visit support.chamberlaingroup.com for more details.

For compatible router specifications and help, visit WiFiHelp.LiftMaster.com.

See page 36 to connect the garage door opener to a mobile device.

Check the Door

⚠ WARNING

To prevent possible SERIOUS INJURY or DEATH:

- ALWAYS call a trained door systems technician if garage door binds, sticks, or is out of balance. An unbalanced garage door may NOT reverse when required.
- NEVER try to loosen, move or adjust garage door, door springs, cables, pulleys, brackets or their hardware, ALL of which are under EXTREME tension.
- Disable ALL locks and remove ALL ropes connected to garage door BEFORE installation and operating garage door opener to avoid entanglement.
- DO NOT install on a one-piece door if using devices or features providing unattended close. Unattended devices and features are to be used ONLY with sectional doors.

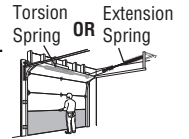
⚠ CAUTION

To prevent damage to garage door and opener:

- ALWAYS disable locks BEFORE installing and operating the opener.
- ONLY operate garage door opener at 120V, 60 Hz to avoid malfunction and damage.

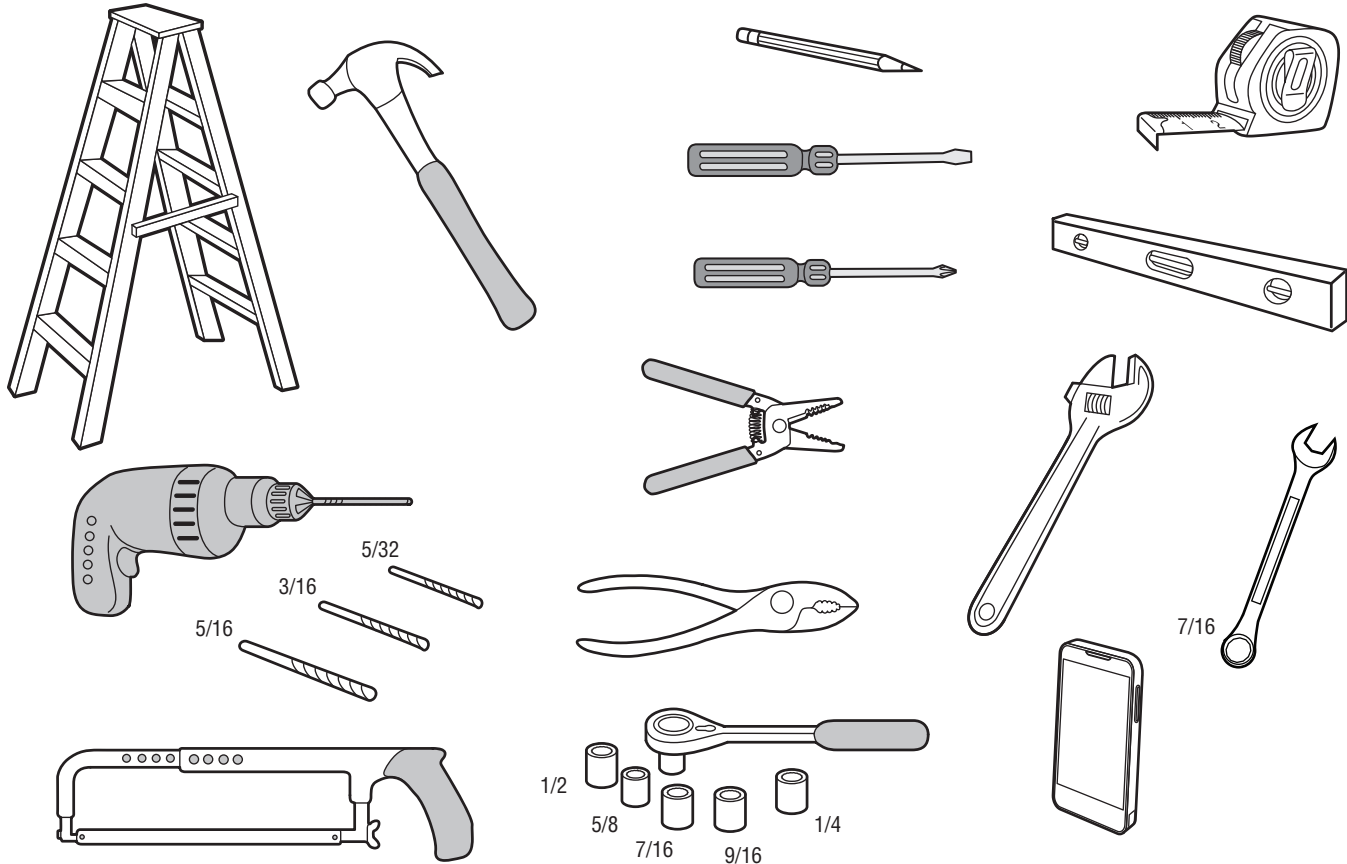
Before you begin:

1. Disable locks and remove any ropes connected to the garage door.
2. Lift the door halfway up. Release the door. If balanced, it should stay in place, supported entirely by its springs.
3. Raise and lower the door to check for binding or sticking. If your door binds, sticks, or is out of balance, call a trained door systems technician.
4. Check the seal on the bottom of the door. Any gap between the floor and the bottom of the door must not exceed 1/4" (6 mm). Otherwise, the safety reversal system may not work properly.
5. The opener should be installed above the center of the door. If there is a torsion spring or center bearing plate in the way of the header bracket, it may be installed within 4 feet (1.2 m) to the left or right of the door center. See page 11.



Preparation

Tools Needed



Preparation

Carton Inventory: Models 8160W, 8160WB, 8164W, 8165W, and 8365W-267

Accessories will vary depending on the garage door opener model purchased. Depending on your specific model, other accessories may be included with your garage door opener. The instructions for these accessories will be attached to the accessory and are not included in this manual. **The images throughout this manual are for reference and your product may look different.**

For Square Rail see instructions included with the rail kit model LMSSRKIT.

- A. Header bracket
- B. Pulley and bracket
- C. Door bracket
- D. Curved door arm
- E. Straight door arm
- F. Trolley
- G. Emergency release rope and handle
- H. Rail
- I. Garage door opener
- J. Sprocket cover
- K. Chain
- L. Door control
- M. White and red/white wire
- N. The Protector System®
Safety reversing sensors with white and white/black wire attached: Sending Sensor (1)
Receiving Sensor (1) and Safety Sensor Brackets (2)
- O. Safety labels and literature
- P. Rail grease
- Q. Battery Backup (Model 8160WB only)

SECURITY+ 2.0® ACCESSORIES

882LMW

Multi-Function Door Control

Models: 8160W, 8160WB, 8165W, 8365W-267



883LMW

Push Button Door Control

Models: 8164W



893LM

Remote Control

Models: 8160W, 8160WB, 8165W, 8365W-267



891LM

Remote Control

Model: 8164W



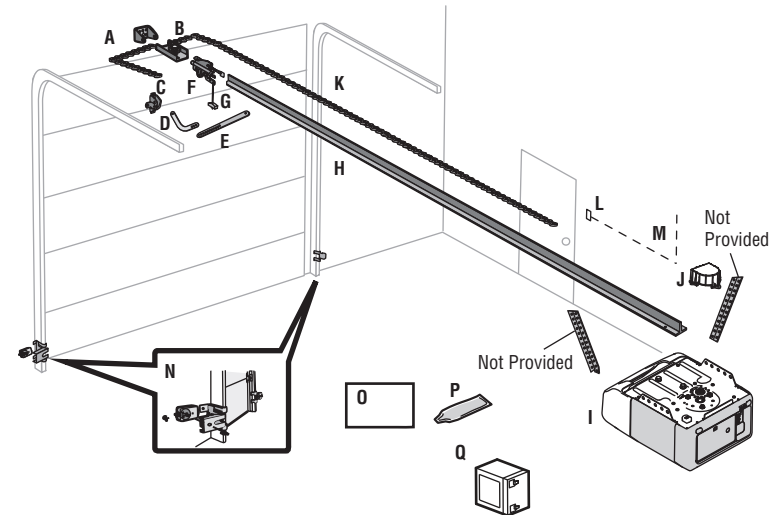
HARDWARE

Installation

- Hex bolt 5/16"-18 x 7/8" (4)
- Lag screw 5/16"-9 x 1-5/8" (2)
- Clevis Pin 5/16" x 2-3/4" (1)
- Clevis Pin 5/16" x 1-1/4" (1)
- Clevis Pin 5/16" x 1" (1)
- Nut 5/16"-18 (4)
- Lock washer 5/16" (4)
- Self-threading screw 1/4"-14 x 5/8" (2)
- Ring fastener (3)
- Carriage bolt 1/4"-20 x 1/2" (2)
- Wing nut 1/4"-20 (2)

Door Control Hardware

- Screw 6AB x 1" (2)
- Screw 6-32 x 1" (2)
- Drywall anchors (2)



Preparation

Carton Inventory: Model 8155W

Accessories will vary depending on the garage door opener model purchased. Depending on your specific model, other accessories may be included with your garage door opener. The instructions for these accessories will be attached to the accessory and are not included in this manual. **The images throughout this manual are for reference and your product may look different.**

- A. Header bracket
- B. Pulley and bracket
- C. Door bracket
- D. Curved door arm
- E. Straight door arm
- F. Trolley
- G. Emergency release rope and handle
- H. Rail
- I. Garage door opener
- J. Sprocket cover with hex screws
- K. Belt
- L. Door control
- M. White and red/white wire
- N. The Protector System®
Safety reversing sensors with white and white/black wire attached: Sending Sensor (1)
Receiving Sensor (1) and Safety Sensor Brackets (2)
- O. Safety labels and literature
- P. Rail grease

SECURITY+ 2.0® ACCESSORIES

882LMW
Multi-Function Door Control



893LM
Remote Control



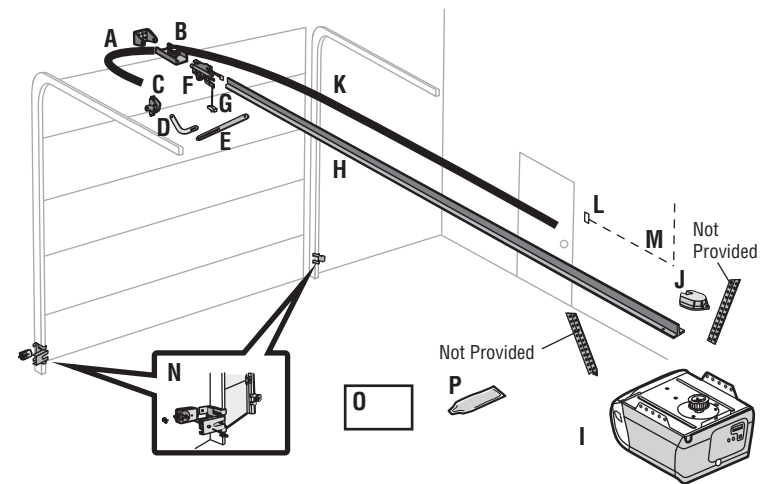
INSTALLATION HARDWARE

- Hex bolt 5/16"-18 x 7/8" (4)
- Lag screw 5/16"-9 x 1-5/8" (2)
- Clevis Pin 5/16" x 2-3/4" (1)
- Clevis Pin 5/16" x 1-1/4" (1)
- Clevis Pin 5/16" x 1" (1)
- Nut 5/16"-18 (4)

- Lock washer 5/16" (4)
- Self-threading screw 1/4"-14 x 5/8" (2)
- Ring fastener (3)
- Carriage bolt 1/4"-20 x 1/2" (2)
- Wing nut 1/4"-20 (2)

DOOR CONTROL HARDWARE

- Screw 6AB x 1" (2)
- Screw 6-32 x 1" (2)
- Drywall anchors (2)



Assembly

1 Attach the Rail to the Garage Door Opener

MODELS 8160W, 8160WB, 8164W*, 8165W, AND 8365W-267

* Can be installed with a T-Rail or a Square Rail. For Square Rail assembly steps, see instructions provided with the rail kit model LMSSRKIT. Once completed, return to this manual for the installation instructions.

WARNING

To avoid possible SERIOUS INJURY to finger from moving garage door opener:

- ALWAYS keep hand clear of sprocket while operating opener.
- Securely attach sprocket cover BEFORE operating.

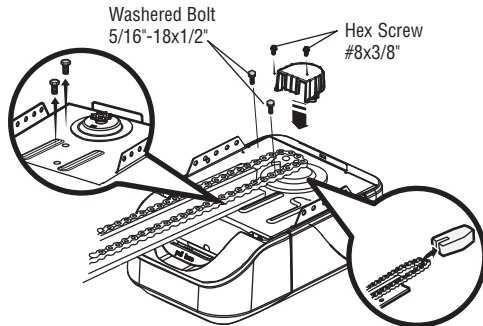
CAUTION

To avoid SERIOUS damage to garage door opener, use ONLY those bolts/fasteners mounted in the top of the opener.

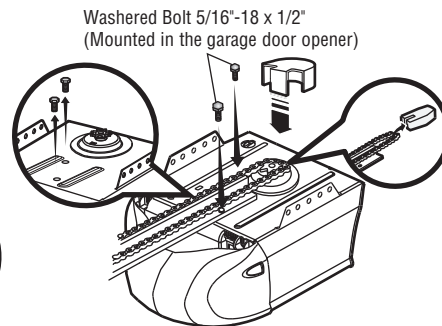
NOTE: ONLY use the bolts removed from the garage door opener. Place the garage door opener on the packing material to prevent scratching.

1. Remove the two bolts from the top of the garage door opener.
2. Align the rail and the styrofoam over the sprocket. Cut the tape from the rail, chain, and styrofoam.
3. Fasten the rail with the previously removed bolts.
4. Position the chain around the garage door opener sprocket.
5. **Models 8160WMX and 8160WBMX:** Attach the sprocket cover over the garage door opener sprocket and attach with hex screws.

Models 8164WMX and 8165WMX: Install the sprocket cover by squeezing the sides and inserting the tabs into the slots on the garage door opener.



Models 8160W and 8160WB

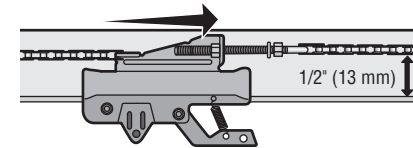


Models 8164W, 8165W, and 8365W-267

2 Tighten the Chain

1. Loosen the inner nut and lock washer on the trolley threaded shaft.
2. Tighten the outer nut until the chain is a 1/2" above the base of the rail at the midpoint of the rail.
3. Re-tighten the inner nut.

Slack in the chain is normal when the door is closed. No readjustment is necessary. Sprocket noise can result if the chain is too loose. During future maintenance, ALWAYS pull the emergency release handle to disconnect the trolley before adjusting the chain.



Assembly

1 Attach the Rail to the Garage Door Opener

MODEL 8155W

WARNING

To avoid possible **SERIOUS INJURY** to finger from moving garage door opener:

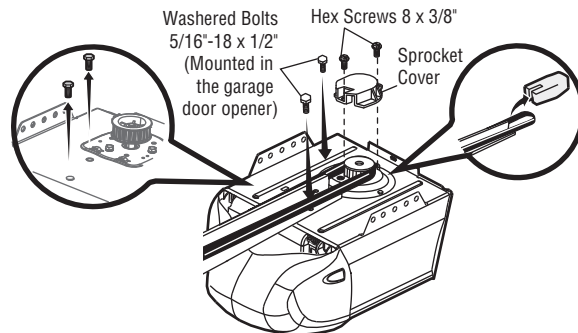
- ALWAYS keep hand clear of sprocket while operating opener.
- Securely attach sprocket cover **BEFORE** operating.

CAUTION

To avoid **SERIOUS** damage to garage door opener, use **ONLY** those bolts/fasteners mounted in the top of the opener.

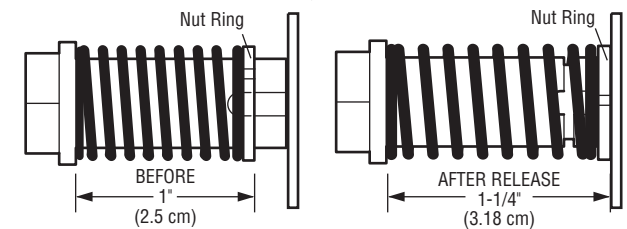
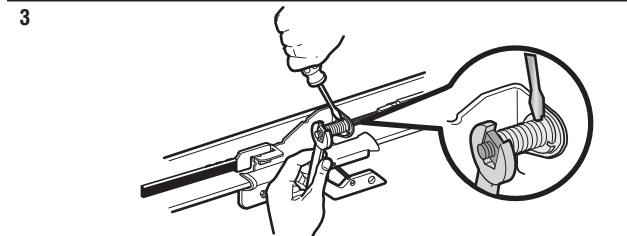
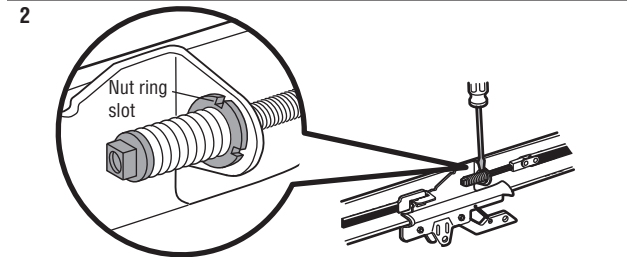
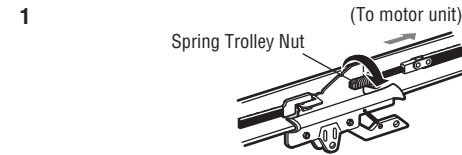
NOTE: ONLY use the bolts removed from the garage door opener. Place the garage door opener on the packing material to prevent scratching.

1. Remove the two bolts from the top of the garage door opener.
2. Align the rail and the styrofoam over the sprocket. Cut the tape from the rail, belt, and styrofoam.
3. Fasten the rail with the previously removed bolts.
4. Position the belt around the garage door opener sprocket.
5. Attach the sprocket cover over the garage door opener sprocket and attach with hex screws.



2 Tighten the Belt

1. By hand, thread the spring trolley nut on the threaded shaft until it is finger tight against the trolley. Do not use any tools.
2. Insert a flathead screwdriver tip into one of the nut ring slots and brace it firmly against the trolley.
3. Tighten the spring trolley nut with an adjustable wrench or a 7/16" open end wrench about a quarter turn until the spring releases and snaps the nut ring against the trolley. This sets the spring to optimum belt tension.



IMPORTANT INSTALLATION INSTRUCTIONS

WARNING

To reduce the risk of SEVERE INJURY or DEATH:

1. READ AND FOLLOW ALL INSTALLATION WARNINGS AND INSTRUCTIONS.
2. Install garage door opener ONLY on properly balanced and lubricated garage door. An improperly balanced door may NOT reverse when required and could result in SEVERE INJURY or DEATH.
3. ALL repairs to cables, spring assemblies and other hardware MUST be made by a trained door systems technician BEFORE installing opener.
4. Disable ALL locks and remove ALL ropes connected to garage door BEFORE installing opener to avoid entanglement.
5. Where possible, install the door opener 7 feet (2.13 m) or more above the floor.
6. Mount the emergency release within reach, but at least 6 feet (1.83 m) above the floor and avoiding contact with vehicles to avoid accidental release.
7. NEVER connect garage door opener to power source until instructed to do so.
8. NEVER wear watches, rings or loose clothing while installing or servicing opener. They could be caught in garage door or opener mechanisms.
9. Install wall-mounted garage door control:
 - within sight of the garage door.
 - out of reach of small children at a minimum height of 5 feet (1.5 m) above floors, landings, steps or any other adjacent walking surface.
 - away from ALL moving parts of the door.
10. Place entrapment warning label on wall next to garage door control in a prominent location.
11. Place emergency release/safety reverse test label in plain view on inside of garage door.
12. Upon completion of installation, test safety reversal system. Door MUST reverse on contact with a 1-1/2" (3.8 cm) high object (or a 2x4 laid flat) on the floor.
13. To avoid SERIOUS PERSONAL INJURY or DEATH from electrocution, disconnect ALL electric power BEFORE performing ANY service or maintenance.
14. DO NOT install on a one-piece door if using devices or features providing unattended close. Unattended devices and features are to be used ONLY with sectional doors.
15. **SAVE THESE INSTRUCTIONS.**

Installation

1 Determine the Header Bracket Location

WARNING

To prevent possible **SERIOUS INJURY** or **DEATH**:

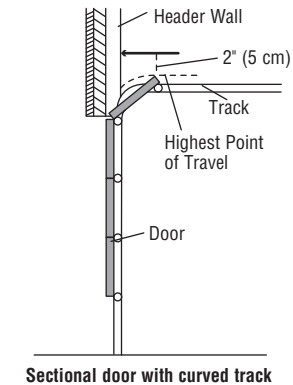
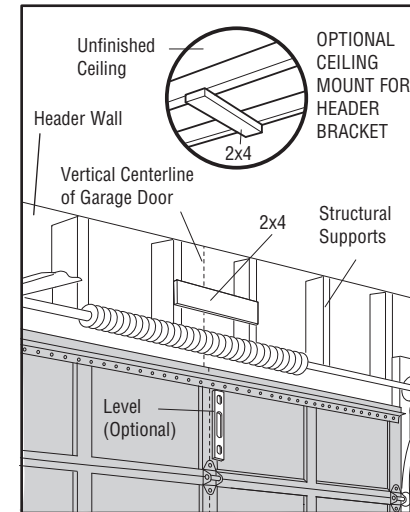
- Header bracket **MUST** be **RIGIDLY** fastened to structural support on header wall or ceiling, otherwise garage door might **NOT** reverse when required. **DO NOT** install header bracket over drywall.
- Concrete anchors **MUST** be used if mounting header bracket or 2x4 into masonry.
- **NEVER** try to loosen, move or adjust garage door, springs, cables, pulleys, brackets, or their hardware, **ALL** of which are under **EXTREME** tension.
- **ALWAYS** call a trained door systems technician if garage door binds, sticks, or is out of balance. An unbalanced garage door might **NOT** reverse when required.
- **DO NOT** enable the Timer-to-Close functionality if operating either one-piece or swinging garage doors. To be enabled **ONLY** when operating a sectional door.

Close the door and mark the inside vertical centerline of the garage door.

Extend the line onto the header wall above the door. You can fasten the header bracket within 4 feet (1.22 m) of the left or right of the door center only if a torsion spring or center bearing plate is in the way; or you can attach it to the ceiling when clearance is minimal. (It may be mounted on the wall upside down if necessary, to gain approximately 1/2" (1 cm). If you need to install the header bracket on a 2x4 (on wall or ceiling), use lag screws (not provided) to securely fasten the 2x4 to structural supports.

Open your door to the highest point of travel as shown. Draw an intersecting horizontal line on the header wall 2" (5 cm) above the high point. This height will provide travel clearance for the top edge of the door.

NOTE: If the total number of inches exceeds the height available in your garage, use the maximum height possible, or refer to page 11 for ceiling installation.



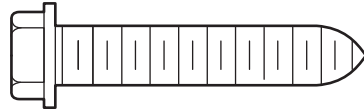
Installation

2 Install the Header Bracket

You can attach the header bracket either to the wall above the garage door, or to the ceiling. Follow the instructions which will work best for your particular requirements. **Do not install the header bracket over drywall. If installing into masonry, use concrete anchors (not provided).**

HARDWARE

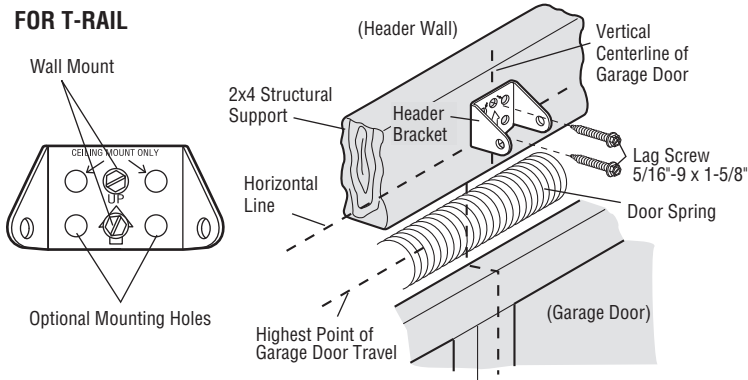
Lag Screw 5/16"-9x1-5/8"



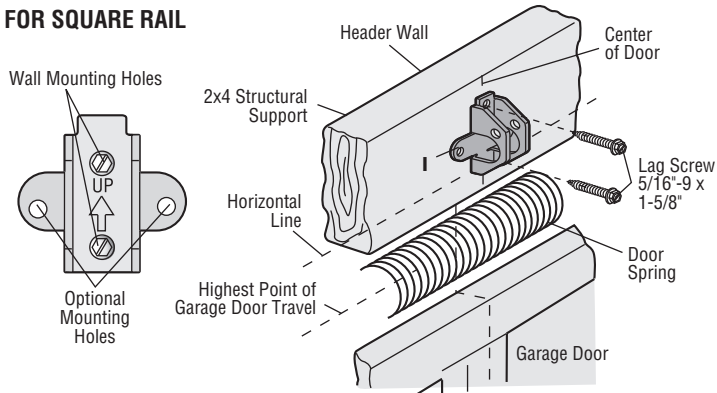
OPTION A - WALL INSTALLATION

- Center the bracket on the vertical centerline with the bottom edge of the bracket on the horizontal line as shown (with the arrow pointing toward the ceiling).
- Mark the vertical set of bracket holes (do not use the holes designated for ceiling mount). Drill 3/16" pilot holes and fasten the bracket securely to a structural support with lag screws.

FOR T-RAIL



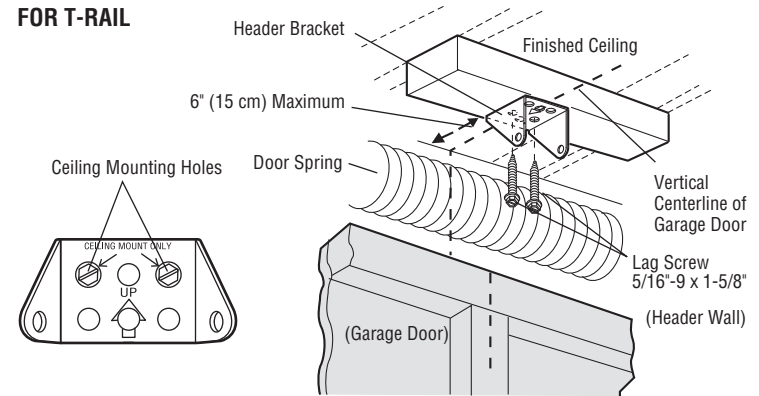
FOR SQUARE RAIL



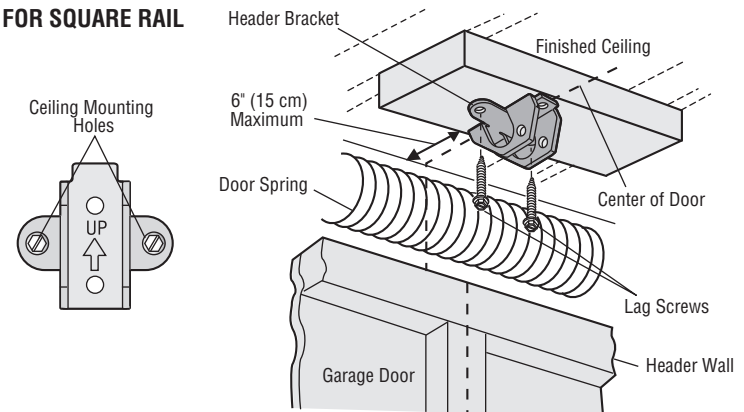
OPTION B - CEILING INSTALLATION

- Extend the vertical centerline onto the ceiling as shown.
- Center the bracket on the vertical mark, no more than 6" (15 cm) from the wall. Make sure the arrow is pointing toward the wall. The bracket can be mounted flush against the ceiling when clearance is minimal.
- Mark the side holes. Drill 3/16" pilot holes and fasten bracket securely to a structural support with the hardware provided.

FOR T-RAIL



FOR SQUARE RAIL



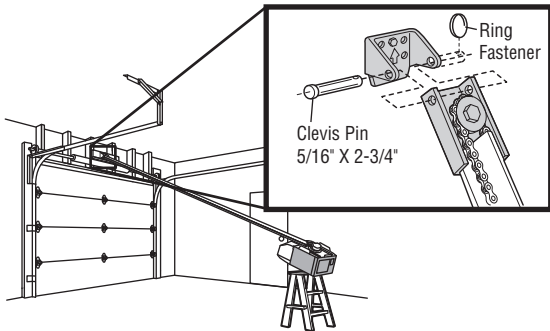
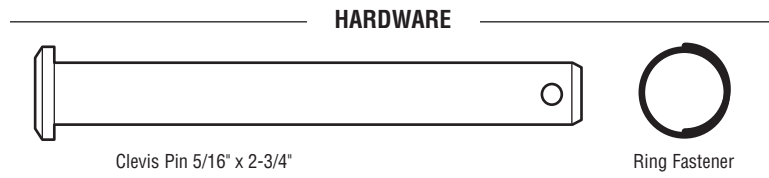
Installation

3 Attach the Rail to the Header Bracket

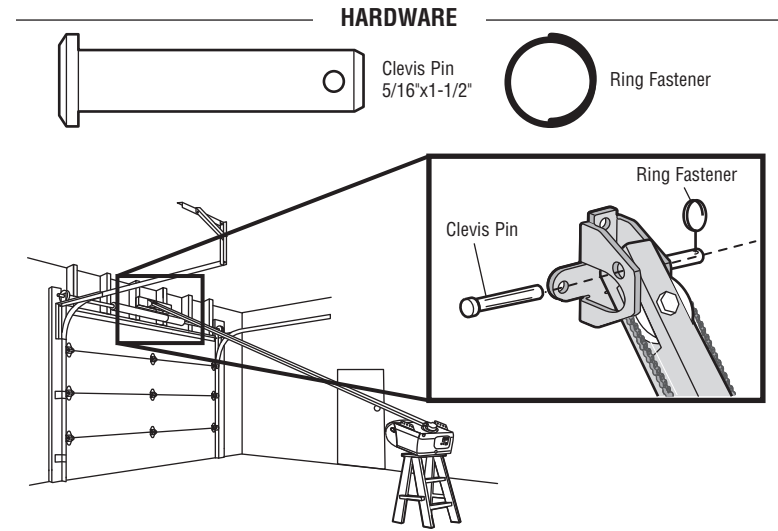
1. Align the rail with the header bracket. Insert the clevis pin through the holes in the header bracket and rail. Secure with the ring fastener.

NOTE: Use the packing material as a protective base for the garage door opener.

FOR T-RAIL



FOR SQUARE RAIL



Installation

4 Position the Garage Door Opener

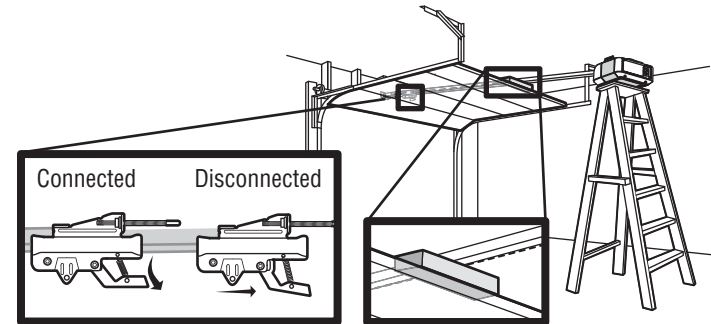
CAUTION

To prevent damage to garage door, rest garage door opener rail on 2x4 placed on top section of door.

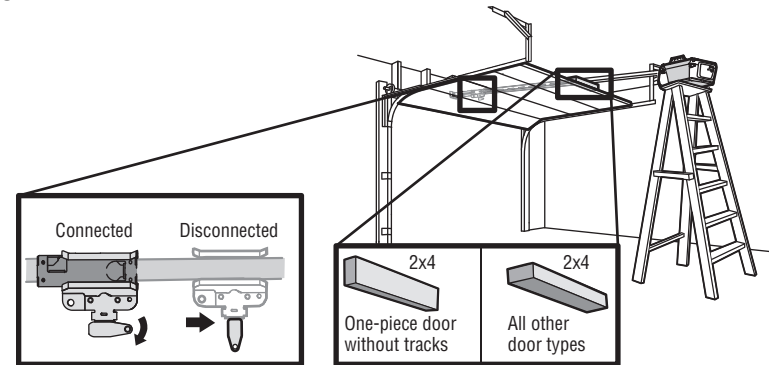
1. Remove the packing material and lift the garage door opener onto a ladder.
2. Fully open the door and place a 2x4 (laid flat) under the rail.

A 2x4 is ideal for setting the distance between the rail and the door. If the ladder is not tall enough you will need help at this point. If the door hits the trolley when it is raised, pull the trolley release arm down to disconnect the inner and outer trolley. Slide the outer trolley toward the garage door opener. The trolley can remain disconnected until instructed.

FOR T-RAIL



FOR SQUARE RAIL



Installation

5 Hang the Garage Door Opener

WARNING

To avoid possible **SERIOUS INJURY** from a falling garage door opener, fasten it **SECURELY** to structural supports of the garage. Concrete anchors **MUST** be used if installing **ANY** brackets into masonry.

Hanging your garage door opener will vary depending on your garage. Two representative installations are shown. Yours may be different. Hanging brackets should be angled (Figure 1) to provide rigid support. On finished ceilings (Figure 2), attach a sturdy metal bracket to structural supports before installing the opener. This bracket and fastening hardware are not provided.

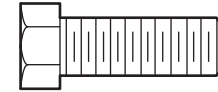
1. Measure the distance from each side of the motor unit to the structural support.
2. Cut both pieces of the hanging bracket to required lengths.
3. Drill 3/16" pilot holes in the structural supports.
4. Attach one end of each bracket to a support with 5/16"-18 x 1-7/8" lag screws (not provided).
5. Fasten the opener to the hanging brackets with 5/16"-18 x 7/8" hex bolts, lock washers and nuts.
6. Check to make sure the rail is centered over the door (or in line with the header bracket if the bracket is not centered above the door).
7. Remove the 2x4. Operate the door manually. If the door hits the rail, raise the header bracket.

NOTE: DO NOT connect power to opener at this time.

HARDWARE



Lock Washer 5/16"



Hex Bolt 5/16"- 18x7/8"



Nut 5/16"-18

FIGURE 1

Unfinished Ceiling

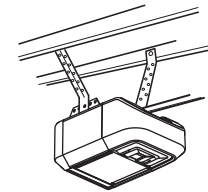


FIGURE 2

Finished Ceiling

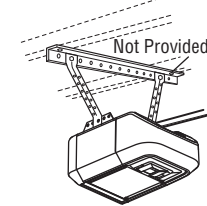
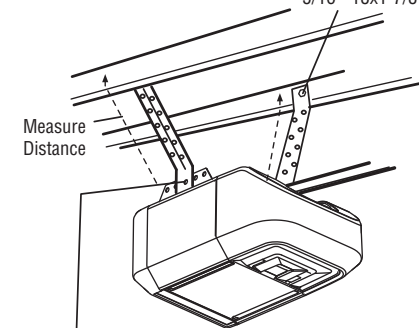


FIGURE 3

(Not Provided)
Lag Screws
5/16"- 18x1-7/8"



Hex Bolt 5/16"- 18x7/8", Lock Washer 5/16", Nut 5/16"-18

Installation

6 Install the Light Bulbs

⚠ CAUTION

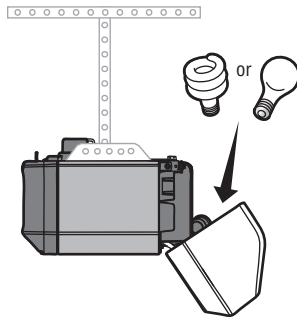
To prevent possible OVERHEATING of the end panel or light socket:

- Use ONLY A19 light bulbs.
- DO NOT use incandescent bulbs larger than 100W.
- DO NOT use compact fluorescent light bulbs larger than 26W (100W equivalent).
- DO NOT use halogen bulbs.
- DO NOT use short neck or specialty light bulbs.

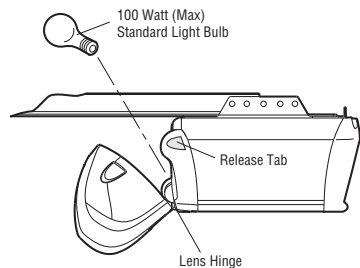
LED bulbs may cause remote control radio interference. Use ONLY LED bulbs recommended here: chamberlain.com/bulb.

1. Pull light lens down.
2. Insert light bulb.
3. Close light lens.

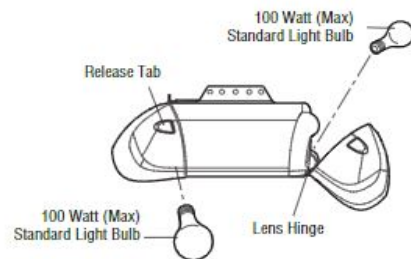
MODELS 8160W AND 8160WB



MODELS 8155W, 8164W, and 8165W



MODEL 8365W-267



7 Attach the Emergency Release Rope and Handle

⚠ WARNING

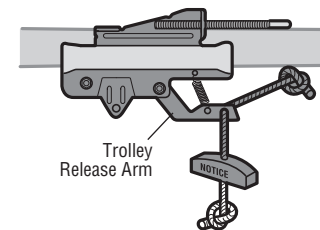
To prevent possible SERIOUS INJURY or DEATH from a falling garage door:

- If possible, use emergency release handle to disengage trolley ONLY when garage door is CLOSED. Weak or broken springs or unbalanced door could result in an open door falling rapidly and/or unexpectedly.
- NEVER use emergency release handle unless garage doorway is clear of persons and obstructions.
- NEVER use handle to pull door open or closed. If rope knot becomes untied, you could fall.

1. Insert one end of the emergency release rope through the handle. Make sure that "NOTICE" is right side up. Secure with an overhand knot at least 1" (2.5 cm) from the end of the rope to prevent slipping.
2. Insert the other end of the emergency release rope through the hole in the trolley release arm. Mount the emergency release within reach, but at least 6 feet (1.83 m) above floor, avoiding contact with vehicles to prevent accidental release and secure with an overhand knot.

NOTE: If it is necessary to cut the emergency release rope, seal the cut end with a match or lighter to prevent unraveling. Ensure the emergency release rope and handle are above the top of all vehicles to avoid entanglement.

FOR T-RAIL



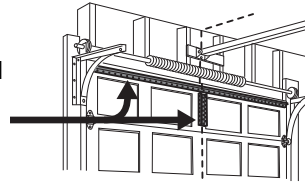
Installation

Install the Door Bracket

⚠ CAUTION

Fiberglass, aluminum or lightweight steel garage doors **WILL REQUIRE** reinforcement BEFORE installation of door bracket. Contact the garage door manufacturer or installing dealer for opener reinforcement instructions or reinforcement kit. Failure to reinforce the top section as required according to the door manufacturer may void the door warranty.

A horizontal and vertical reinforcement is needed for lightweight garage doors (fiberglass, aluminum, steel, doors with glass panel, etc.) (not provided). A horizontal reinforcement brace should be long enough to be secured to two or three vertical supports. A vertical reinforcement brace should cover the height of the top panel. Contact the garage door manufacturer or installing dealer for opener reinforcement instructions or reinforcement kit.



NOTE: Many door reinforcement kits provide for direct attachment of the clevis pin and door arm. In this case you will not need the door bracket; proceed to the next step.

SECTIONAL DOORS

1. Center the door bracket on the previously marked vertical centerline used for the header bracket installation. Note correct UP placement, as stamped inside the bracket.
2. Position the top edge of the bracket 2"-4" (5-10 cm) below the top edge of the door, OR directly below any structural support across the top of the door.
3. Mark, drill holes and install as follows, depending on your door's construction:

Metal or light weight doors using a vertical angle iron brace between the door panel support and the door bracket:

- Drill 3/16" fastening holes. Secure the door bracket using the two self threading screws. (Figure 1)
- Alternately, use two 5/16"-18x2" bolts, lock washers and nuts (not provided). (Figure 2)

Metal, insulated or light weight factory reinforced doors:

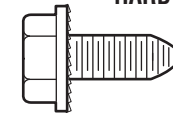
- Drill 3/16" fastening holes. Secure the door bracket using the self-threading screws. (Figure 3)

Wood Doors:

- Use top and bottom or side to side door bracket holes. Drill 5/16" holes through the door and secure bracket with 5/16"-18 x 2" carriage bolts, lock washers and nuts (not provided). (Figure 4)

NOTE: The 1/4"-14 x 5/8" self-threading screws are not intended for use on wood doors.

HARDWARE



Self-Threading Screw
1/4"-14 x 5/8"

FIGURE 1

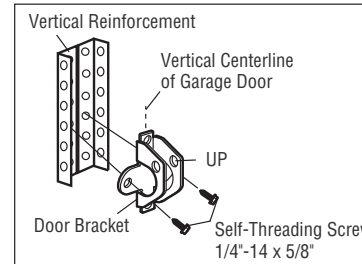


FIGURE 2

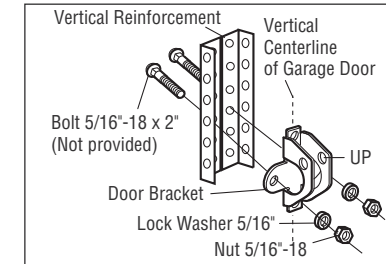


FIGURE 3

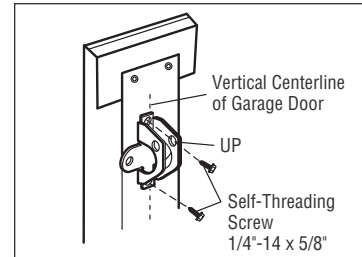
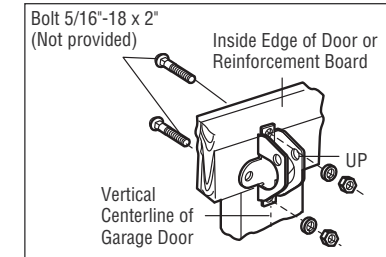


FIGURE 4



Installation

9 Connect the Door Arm to the Trolley

IMPORTANT: The groove on the straight door arm **MUST** face away from the curved door arm.

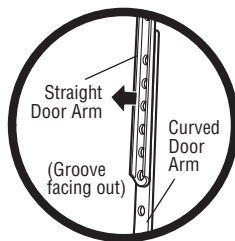
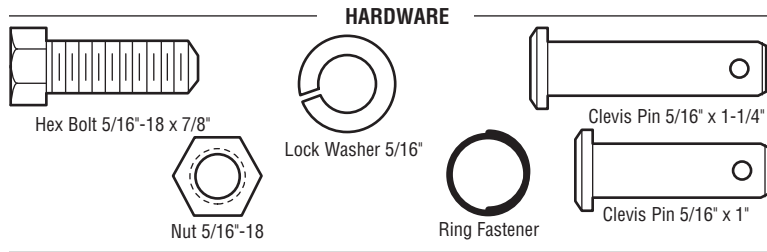
1. **T-Rail:** Close the door. Disconnect the trolley by pulling the emergency release handle. Slide the outer trolley back (away from the door) about 2" (5 cm).

Square Rail: Close the door. Disconnect the trolley by pulling the emergency release handle.

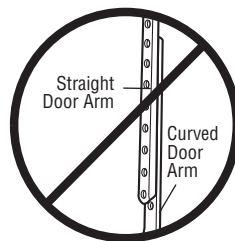
2. Attach the straight door arm to the outer trolley using the clevis pin. Attach with the ring fastener.
3. Attach the curved door arm to the door bracket using the clevis pin. Attach with the ring fastener.
4. Align the straight door arm with the curved door arm. Select two aligned holes (as far apart as possible) and attach using the bolts, nuts and lock washers.

NOTE: If the holes do not line up, reverse the straight door arm. Select two aligned holes (as far apart as possible) and attach using the bolts, nuts and lock washers.

5. Pull the emergency release handle toward the garage door opener until the trolley release arm is horizontal. The trolley will re-engage automatically when the garage door opener is activated.

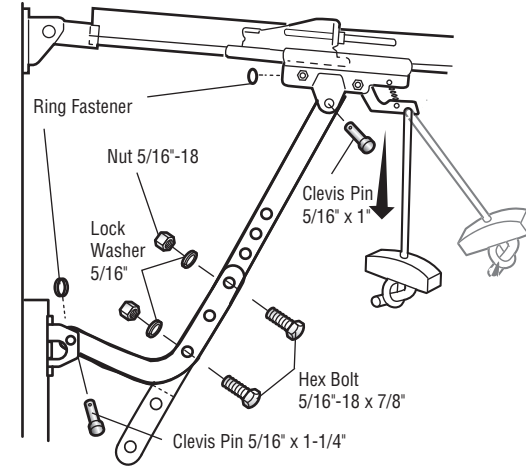


CORRECT

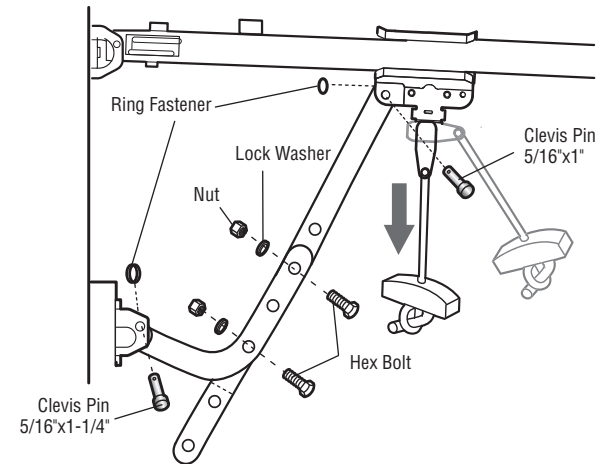


INCORRECT

FOR T-RAIL



FOR SQUARE RAIL



Install the Door Control

1 Install the Door Control - 882LMW

WARNING

To prevent possible **SERIOUS INJURY** or **DEATH** from electrocution:

- Be sure power is **NOT** connected **BEFORE** installing door control.
- Connect door control **ONLY** to 12 VOLT low voltage wires.

To prevent possible **SERIOUS INJURY** or **DEATH** from a closing garage door:

- Install door control within sight of garage door, out of reach of small children at a minimum height of 5 feet (1.5 m) above floors, landings, steps or any other adjacent walking surface, and away from ALL moving parts of door.
- **NEVER** permit children to operate or play with door control push buttons or remote control transmitters.
- Activate door **ONLY** when it can be seen clearly, is properly adjusted, and there are no obstructions to door travel.
- **ALWAYS** keep garage door in sight until completely closed. **NEVER** permit anyone to cross path of closing garage door.

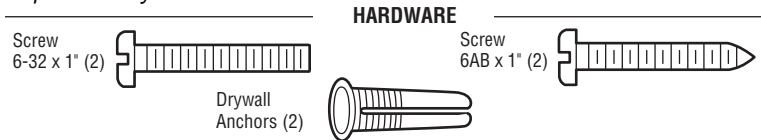
INTRODUCTION

Compatible with myQ® and Security+ 2.0 accessories, see page 45. Your garage door opener is compatible with up to 2 Smart Control Panels or 4 of any other Security+ 2.0 door controls.

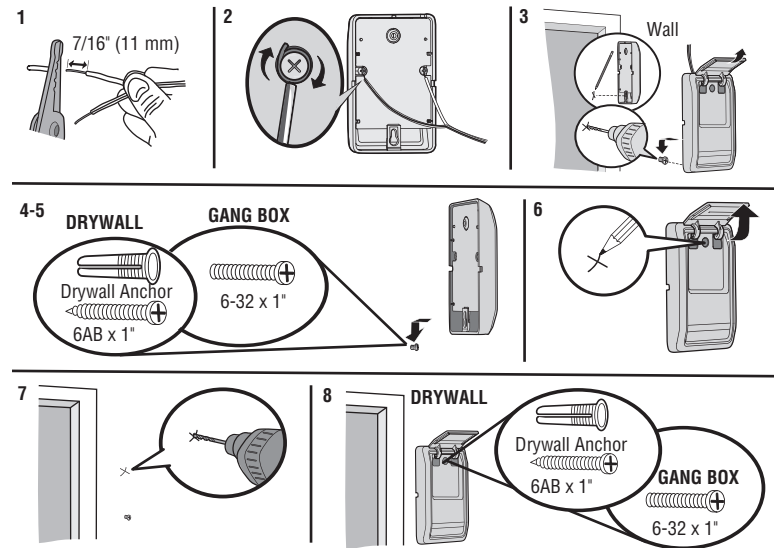
NOTE: Older LiftMaster door controls and third party products are not compatible.

Install door control within sight of garage door, out of reach of small children at a minimum height of 5 feet (1.5 m) above floors, landings, steps or any other adjacent walking surface, and away from ALL moving parts of door. For gang box installations it is not necessary to drill holes or install the drywall anchors. Use the existing holes in the gang box.

NOTE: Your product may look different than the illustrations.



1. Strip 7/16" (11 mm) of insulation from one end of the wire and separate the wires.
2. Connect one wire to each of the two screws on the back of the door control. The wires can be connected to either screw.
PRE-WIRED INSTALLATIONS: Choose any two wires to connect, note which wires are used so the correct wires are connected at the garage door opener in a later step.
3. Mark the location of the bottom mounting hole and drill a 5/32" hole.
4. Install the bottom screw, allowing 1/8" (3 mm) to protrude from the wall.
5. Position the bottom hole of the door control over the screw and slide down into place.
6. Lift the push bar up and mark the top hole.
7. Remove the door control from the wall and drill a 5/32" hole for the top screw.
8. Position the bottom hole of the door control over the screw and slide down into place. Attach the top screw.



Install the Door Control

1 Install the Door Control - 883LMW

WARNING

To prevent possible SERIOUS INJURY or DEATH from electrocution:

- Be sure power is NOT connected BEFORE installing door control.
- Connect door control ONLY to 12 VOLT low voltage wires.

To prevent possible SERIOUS INJURY or DEATH from a closing garage door:

- Install door control within sight of garage door, out of reach of small children at a minimum height of 5 feet (1.5 m) above floors, landings, steps or any other adjacent walking surface, and away from ALL moving parts of door.
- NEVER permit children to operate or play with door control push buttons or remote control transmitters.
- Activate door ONLY when it can be seen clearly, is properly adjusted, and there are no obstructions to door travel.
- ALWAYS keep garage door in sight until completely closed. NEVER permit anyone to cross path of closing garage door.

INTRODUCTION

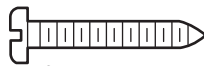
Compatible with myQ® and Security+ 2.0 accessories, see page 45. Your garage door opener is compatible with up to 2 Smart Control Panels or 4 of any other Security+ 2.0 door controls.

NOTE: Older LiftMaster door controls and third party products are not compatible.

Install door control within sight of garage door, out of reach of small children at a minimum height of 5 feet (1.5 m) above floors, landings, steps or any other adjacent walking surface, and away from ALL moving parts of door. For gang box installations it is not necessary to drill holes or install the drywall anchors. Use the existing holes in the gang box.

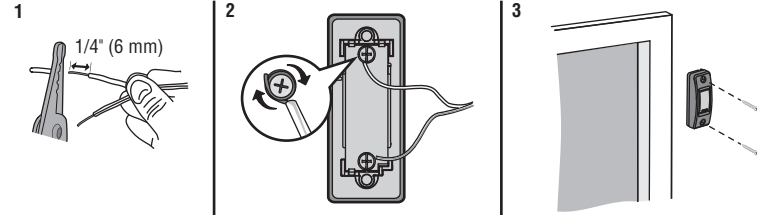
NOTE: Your product may look different than the illustrations.

HARDWARE



Screw 6ABx1" (2)

1. Strip 1/4" (6 mm) of insulation from one end of the wire and separate the wires.
2. Connect one wire to each of the two screws on the back of the door control. The wires can be connected to either screw.
3. Mount the door control with the hardware provided.

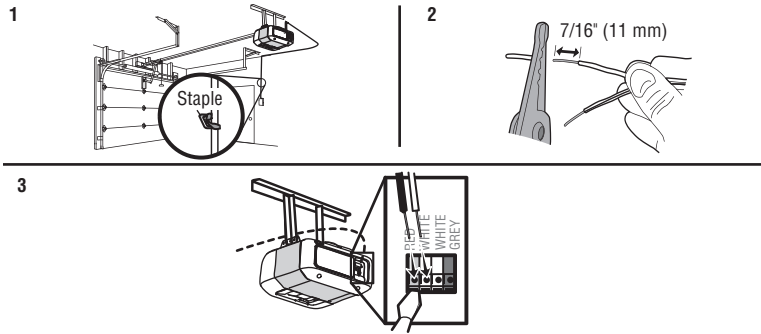


Install the Door Control

2 Wire the Door Control to the Garage Door Opener

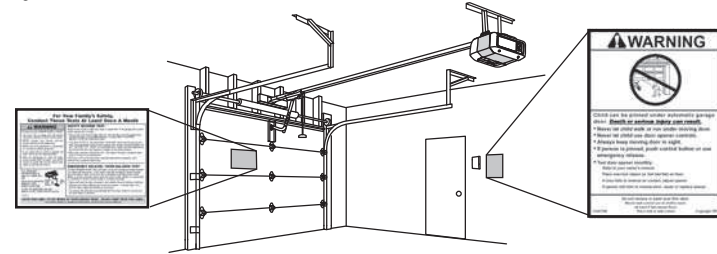
PRE-WIRED INSTALLATIONS: When wiring the door control to the garage door opener make sure you use the same wires that are connected to the door control.

1. Run the white and red/white wire from the door control to the garage door opener. Attach the wire to the wall and ceiling with staples (not applicable for gang box or pre-wired installations). Do not pierce the wire with the staple as this may cause a short or an open circuit.
2. Strip 7/16" (11 mm) of insulation from the end of the wire near the garage door opener.
3. Connect the wire to the red and white terminals on the garage door opener. To insert or release wires from the terminal, push in the tab with screwdriver tip.



3 Attach the Warning Labels

1. Attach the entrapment warning label on the wall near the door control with tacks or staples.
2. Attach the manual release/safety reverse test label in a visible location on the inside of the garage door.



Install the Protector System®

Introduction

WARNING

Be sure power is NOT connected to the garage door opener BEFORE installing the safety reversing sensor.

To prevent SERIOUS INJURY or DEATH from closing garage door:

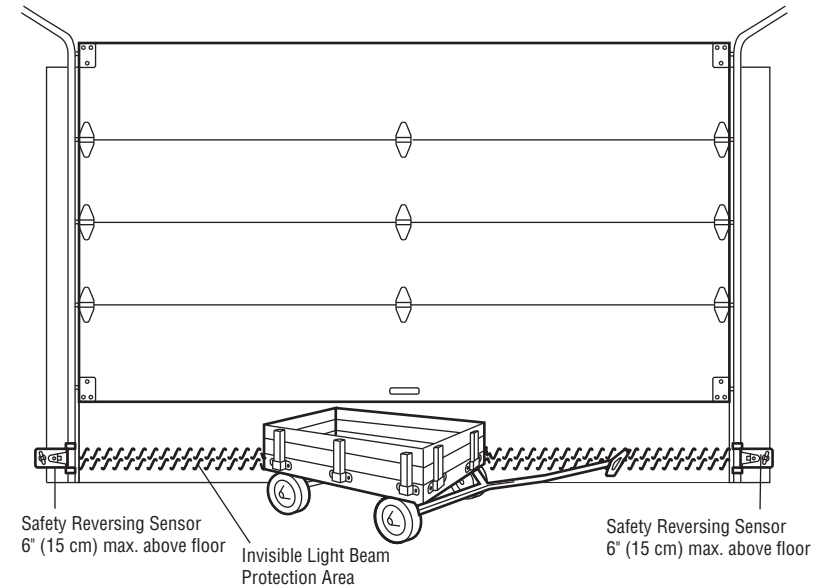
- Correctly connect and align the safety reversing sensor. This required safety device MUST NOT be disabled.
- Install the safety reversing sensor so beam is NO HIGHER than 6" (15 cm) above garage floor.

IMPORTANT: The safety reversing sensors MUST be connected and aligned correctly before the garage door opener will move in the down direction.

The Protector System® includes two safety reversing sensors which use a light beam to prevent the garage door from closing. The sending sensor (amber LED) transmits the beam to the receiving sensor (green LED) when both are powered and aligned. If an obstruction breaks the light beam while the door is closing, the door will stop, and reverse to the full open position.

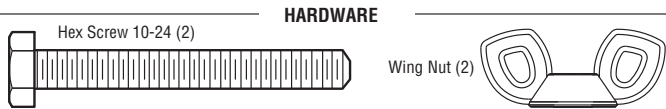
When installing the safety reversing sensors, check:

- Sensors are installed INSIDE the garage.
- Sensor lenses are facing each other. **IMPORTANT:** Do not allow direct sunlight to the receiving sensor (green LED).
- Sensor beam is NO HIGHER than 6" (15 cm) above the floor and the light beam is unobstructed.



Install the Protector System®

1 Install the Safety Reversing Sensors

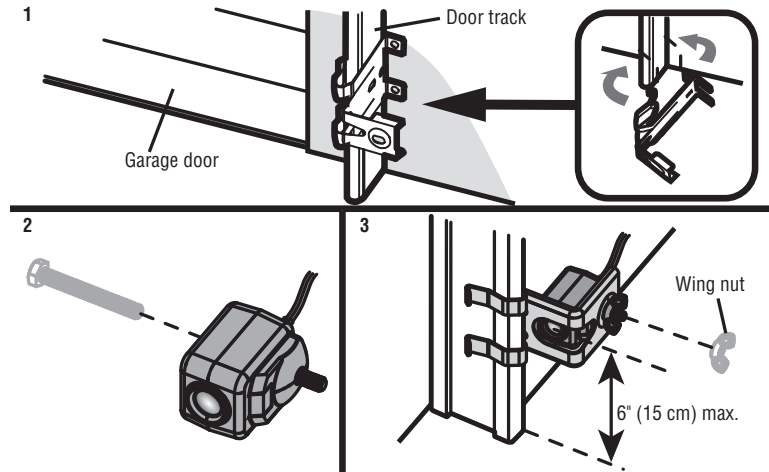


The safety reversing sensors are designed to clip onto the door track with the provided sensor brackets. If the door track will not support the sensor bracket a wall installation is recommended. The sensor beam should be NO HIGHER than 6" (15 cm) above the floor.

DOOR TRACK INSTALLATION

1. Slide the curved arms of the sensor bracket around the edge of the door track. Snap into place so that the sensor bracket is flush against the track.
2. Slide the hex screw through the sensor.
3. Attach the sensor to the bracket with the wing nut. Make sure the lens is not obstructed by the bracket.

Repeat the steps with the other sensor on the opposite door track. Both lenses must face each other.

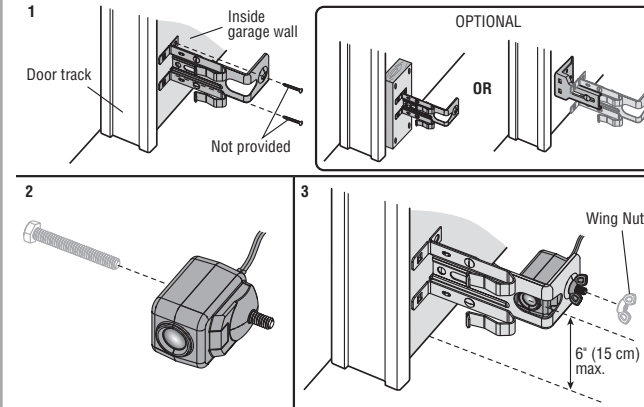


WALL INSTALLATION

Make sure the brackets on each side are clear of the door track and have the same amount of clearance so the sensors will align correctly. If additional clearance is needed, use extension brackets 041A5281-1 (not provided) or wood blocks.

1. Attach the sensor bracket against the wall with two lag screws (not provided).
2. Slide the hex screw through the sensor.
3. Attach the sensor to the bracket with the wing nut. Make sure the lens is not obstructed by the bracket.

Repeat the steps with the other sensor on the opposite side of the garage door. Both lenses must face each other.

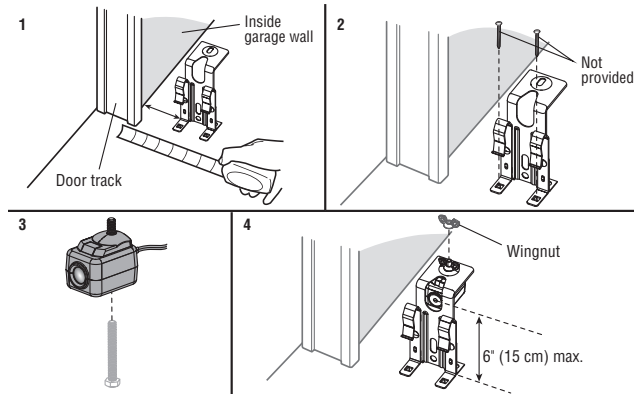


Install the Protector System®

FLOOR INSTALLATION

1. Measure the position of both sensor brackets so they will be the same distance from the wall and unobstructed.
2. Attach the bracket to the floor with concrete anchors (not provided).
3. Slide the hex screw through the sensor.
4. Attach the sensor to the bracket with the wing nut. Make sure the lens is not obstructed by the bracket.

Repeat the steps with the other sensor on the opposite side of the garage door. Both lenses must face each other.

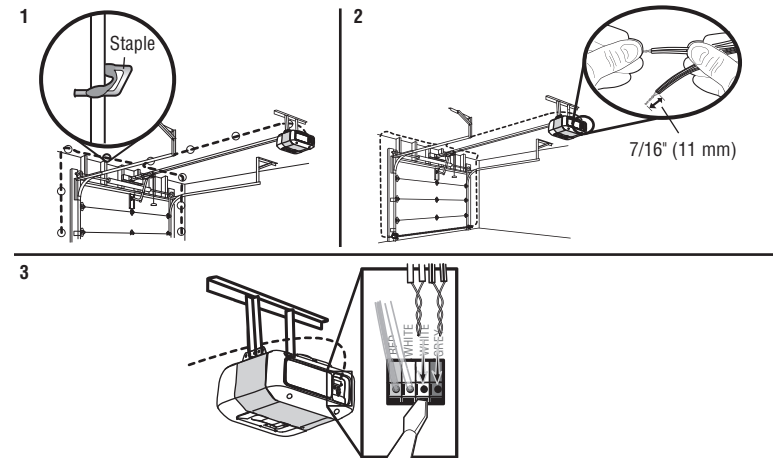


2 Wire the Safety Reversing Sensors

PRE-WIRED INSTALLATIONS: If your garage already has wires installed for the safety reversing sensors, see page 25.

OPTION A - INSTALLATION WITHOUT PRE-WIRING

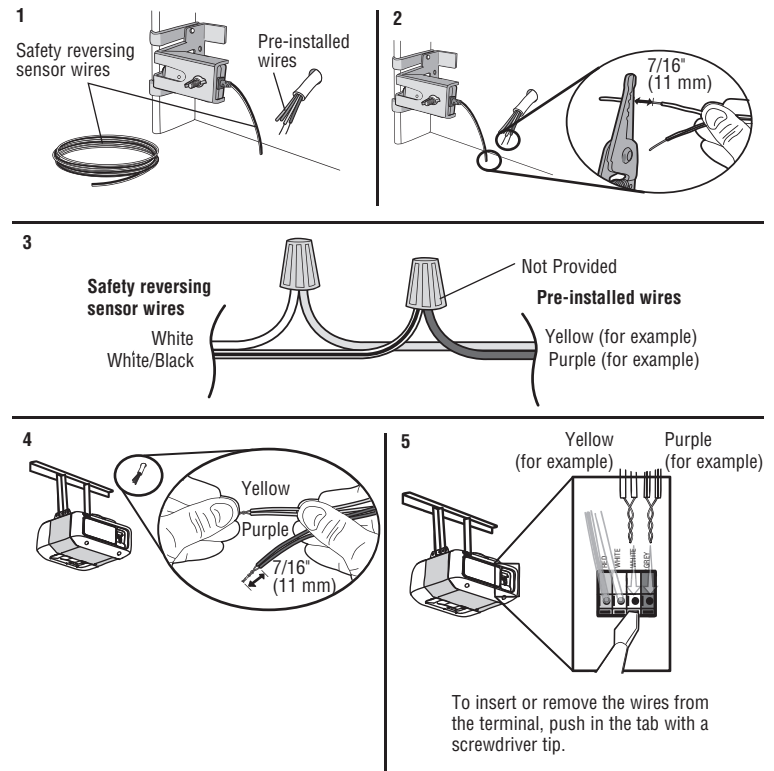
1. Run the wire from both sensors to the garage door opener. Attach with staples, but DO NOT puncture the wire.
2. Separate the sensor wires and strip insulation from each end. Twist the two white wires together. Then twist the two white/black wires together.
3. Using a screwdriver, push in the terminal tabs, and insert the white wires into the white terminal. Insert the white/black wires into the grey terminal.



Install the Protector System[®]

OPTION B - PRE-WIRED INSTALLATION

1. Cut the sensor wires, making sure there is enough wire to reach the pre-installed wires from the wall.
2. Separate the sensor wires and strip insulation from each end. Choose two of the pre-installed wires and strip insulation from each end. Choose the same color pre-installed wires for each sensor.
3. Connect the pre-installed wires to the sensor wires with wire nuts making sure the colors correspond for each sensor.
4. At the garage door opener, strip the end of the wires previously connected to the sensors. Twist the like-colored wires together.
5. Using a screwdriver, push in the terminal tabs, and insert the wire color connected to the sensor's white wire into the white terminal. Insert the other wire color connected to the sensor's white/black wire into the grey terminal.



Power

1 Connect Power

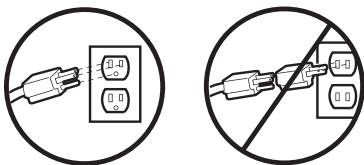
WARNING

To prevent possible **SERIOUS INJURY** or **DEATH** from electrocution or fire:

- Be sure power is **NOT** connected to the opener, and disconnect power to circuit **BEFORE** removing cover to establish permanent wiring connection.
- Garage door installation and wiring **MUST** be in compliance with **ALL** local electrical and building codes.
- **NEVER** use an extension cord, 2-wire adapter, or change plug in **ANY** way to make it fit outlet. Be sure the opener is grounded.

To avoid installation difficulties, do not activate the garage door opener at this time.

To reduce the risk of electric shock, your garage door opener has a grounding type plug with a third grounding pin. This plug will only fit into a grounding type outlet. If the plug doesn't fit into your outlet, contact a qualified electrician to install the proper outlet.

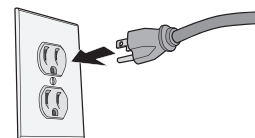


THERE ARE TWO OPTIONS FOR CONNECTING POWER:

OPTION A - TYPICAL WIRING

1. Plug in the garage door opener into a grounded outlet.
2. **DO NOT** run garage door opener at this time.

TYPICAL WIRING

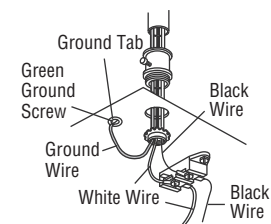


OPTION B - PERMANENT WIRING

If permanent wiring is required by your local code, refer to the following procedure. To make a permanent connection through the 7/8" hole in the top of the motor unit (according to local code):

1. Remove the motor unit cover screws and set the cover aside.
2. Remove the attached 3-prong cord.
3. Connect the black (line) wire to the screw on the brass terminal; the white (neutral) wire to the screw on the silver terminal; and the ground wire to the green ground screw. **The opener must be grounded.**
4. Reinstall the cover.

PERMANENT WIRING

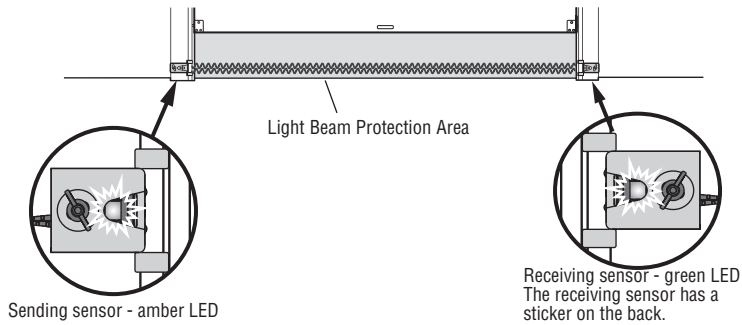


Power

2 Align the Safety Reversing Sensors

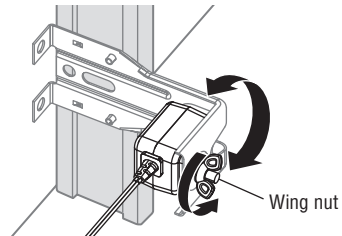
IMPORTANT: The safety reversing sensors **MUST** be connected and aligned correctly before the garage door opener will move in the down direction.

When the garage door opener has power, check the safety reversing sensors. If the sensors are aligned and wired correctly, both LEDs will glow steadily.



To align the safety reversing sensors:

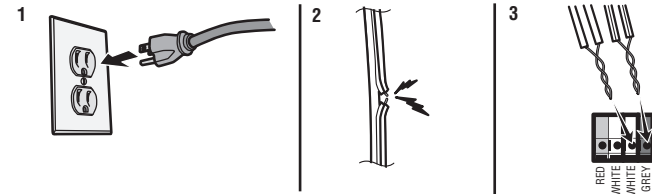
1. Loosen the wing nuts.
2. Adjust the sensors up or down until both LEDs glow steady indicating alignment.
3. Tighten the wing nut to secure the sensor.



SAFETY SENSOR TROUBLESHOOTING

If either of the sensor LEDs are off, there is no power to the sensor:

1. Check that you have power to the garage door opener.
2. Check the sensor wire is not shorted or broken.



If the green receiving sensor LED is blinking, the sensors are obstructed or misaligned:

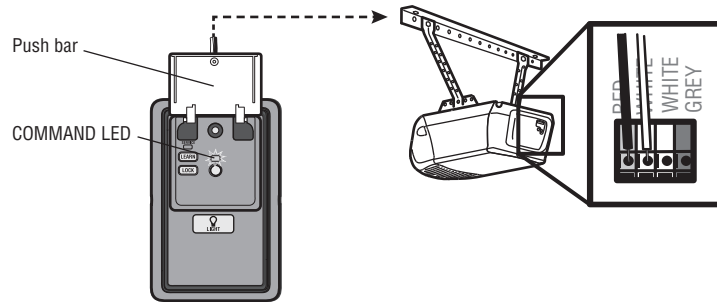
1. Check for obstructions in the sensor light beam.
2. Align the sensors.
3. If the receiving sensor (green LED) faces direct sunlight, switch the receiving sensor with the sending sensor and repeat 1 Install the Safety Reversing Sensors page 23 to assure proper operation.

Power

3 Ensure the Door Control is Wired Correctly

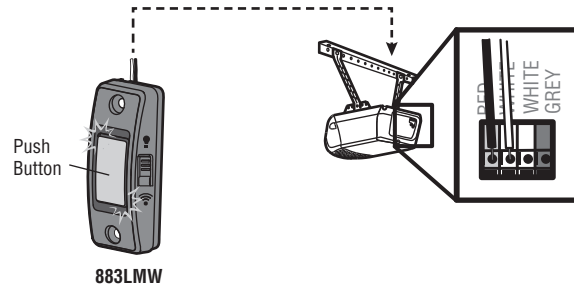
Models: 8155W, 8160W, 8160WB, 8165W, 8365W-267

If the door control has been installed and wired correctly, the command LED behind the push bar will blink.



Models: 8164W

If the door control has been installed and wired correctly, the LED behind the push button will blink (883LMW).



Adjustments

Introduction

WARNING

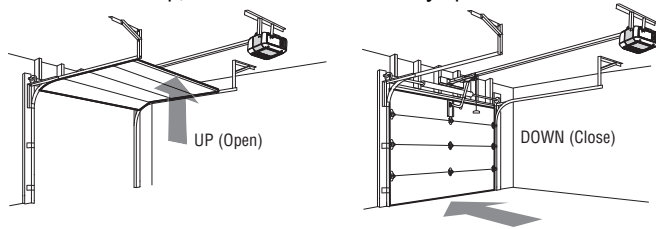
Without a properly installed safety reversal system, persons (particularly small children) could be SERIOUSLY INJURED or KILLED by a closing garage door.

- Incorrect adjustment of garage door travel limits will interfere with proper operation of safety reversal system.
- After ANY adjustments are made, the safety reversal system MUST be tested. Door MUST reverse on contact with 1-1/2" (3.8 cm) high object (or 2x4 laid flat) on floor.

CAUTION

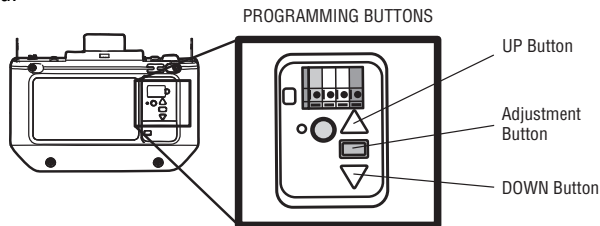
To prevent damage to vehicles, be sure fully open door provides adequate clearance.

Your garage door opener is designed with electronic controls to make setup and adjustments easy. While programming the travel, the UP and DOWN buttons can be used to move the door as needed. During the Automatic Force Setup, the door will automatically open and close.



PROGRAMMING BUTTONS

The programming buttons are located on the left or back side panel of the garage door opener and are used to program the travel. While programming, the UP and DOWN buttons can be used to move the door as needed.



Adjustments

1 - Program the Travel

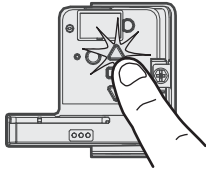
WARNING

Without a properly installed safety reversal system, persons (particularly small children) could be SERIOUSLY INJURED or KILLED by a closing garage door.

- Incorrect adjustment of garage door travel limits will interfere with proper operation of safety reversal system.
- After ANY adjustments are made, the safety reversal system MUST be tested. Door MUST reverse on contact with 1-1/2" (3.8 cm) high object (or 2x4 laid flat) on floor.

Note: While programming the travel, the UP and DOWN buttons can be used to move the door as needed. During the Automatic Force Setup, the door will automatically open and close.

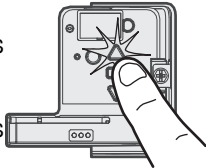
1 Press and hold the Adjustment Button until the UP Button begins to flash and/or a beep is heard. The Safety Reversing Sensors will be disconnected during the Program the Travel process.



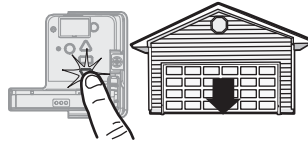
2 Press and hold the UP Button until the door is in the desired UP position.



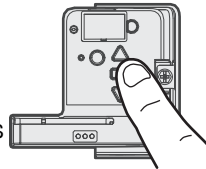
3 Once the door is in the desired UP position press and release the Adjustment Button. The garage door opener lights will flash twice and the DOWN Button will begin to flash.



4 Press and hold the DOWN button until the door is in the desired DOWN position.



5 Once the door is in the desired DOWN position press and release the Adjustment Button. The garage door opener lights will flash twice. Program the Travel is now complete. If the garage door opener lights flash 5 times, then programming has timed out and the Travel Limits have not been set. Please restart the Program the Travel process.



2 - Automatic Force Set Up

Once both the up and down positions have been manually set, the Safety Reversing Sensors will reconnect and become operational. Then, the opener will enter a force-sensing operation by automatically moving the door open and close. The garage door opener will sound an audible and visual alert before automatically opening and closing the door. The garage door opener will beep three times, confirming that the Automatic Force Setup completed successfully. Adjustment is complete.

If you hear one long beep after the door attempts to move, then the Automatic Force Set Up has not completed successfully. Please start over at step 1 of Program the Travel.



Adjustments

3 - Test the Safety Reversal System

WARNING

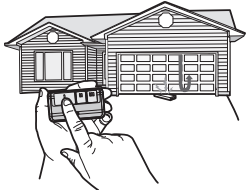
Without a properly installed safety reversal system, persons (particularly small children) could be **SERIOUSLY INJURED** or **KILLED** by a closing garage door.

- Safety reversal system **MUST** be tested every month.
- After **ANY** adjustments are made, the safety reversal system **MUST** be tested. Door **MUST** reverse on contact with 1-1/2" (3.8 cm) high object (or 2x4 laid flat) on the floor.

1 With the door fully open, place a 1-1/2 inch (3.8 cm) board (or a 2x4 laid flat) on the floor, centered under the garage door.



2 Press the remote control push button to close the door. The door **MUST** reverse when it makes contact with the board.



If the door stops but does not reverse:

1. Repeat Program the Travel (see Adjustment Step 1);
2. Repeat the Safety Reversal test.

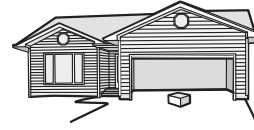
If the test continues to fail, call a trained door systems technician.

4 - Test the Protector System®

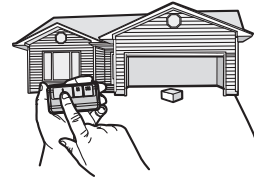
WARNING

Without a properly installed safety reversing sensor, persons (particularly small children) could be **SERIOUSLY INJURED** or **KILLED** by a closing garage door.

1 Open the door. Place an obstruction in the path of the door.



2 Press the remote control push button to close the door. The door will not move more than an inch (2.5 cm).



The garage door opener will not close from a remote control if the LED in either safety reversing sensor is off (alerting you to the fact that the sensor is misaligned or obstructed). If the garage door opener closes the door when the safety reversing sensor is obstructed (and the sensors are no more than 6 inches [15 cm] above the floor), call for a trained door systems technician.

Battery Backup

1 Install the Battery*

WARNING

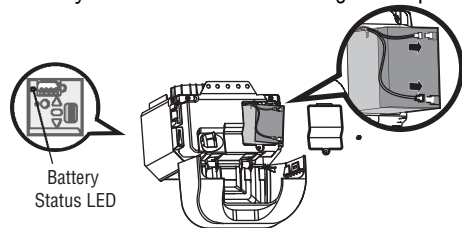
To reduce the risk of FIRE or INJURY to persons:

- Disconnect ALL electric and battery power BEFORE performing ANY service or maintenance.
- Use ONLY LiftMaster part # 485LM for replacement battery.
- DO NOT dispose of battery in fire. Battery may explode. Check with local codes for disposal instructions.

CAUTION

ALWAYS wear protective gloves and eye protection when changing the battery or working around the battery compartment.

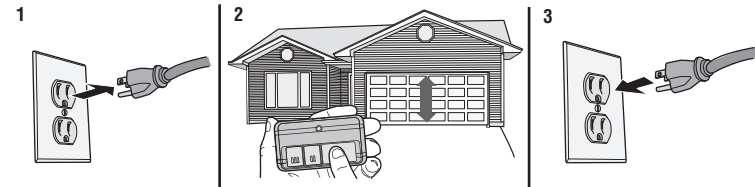
1. Unplug the garage door opener.
2. Open the light lens of the garage door opener. Use a Phillips head screwdriver to remove the battery cover on the garage door opener.
3. Partially insert the battery into the battery compartment with the terminals facing out.
4. Connect red (+) and black (-) wires from the garage door opener to the corresponding terminals on the battery.
5. Replace the battery cover.
6. Plug in the garage door opener.
7. Wait for the green Battery Status LED to start flashing before proceeding to test the battery.



* If applicable.

2 Test the Battery

1. Unplug the garage door opener. The battery status LED will either glow solid orange indicating opener is operating on battery power or will flash indicating low battery power. **NOTE: Make sure the garage door opener is unplugged.**
2. Open and close the door using the remote control or door control. **NOTE: The garage door opener may run slower if the battery is not fully charged. The battery will take 24 hours to fully charge.**
3. Plug in the garage door opener. Verify the battery status LED is flashing green, indicating the battery is charging.



Battery Backup

3 Charge the Battery

The battery charges when the garage door opener is plugged into a 120Vac electrical outlet that has power and requires 24 hours to fully charge. A fully charged battery supplies 12Vdc to the garage door opener for up to 24 hours of normal operation during an electrical power outage. After the electrical power has been restored, the battery will recharge within 24 hours. The battery will last approximately 1 to 2 years with normal usage. To obtain maximum battery life and prevent damage, disconnect the battery when the garage door opener is unplugged for an extended period of time, such as a summer or winter home.

4 Battery Status LED

GREEN LED:

All systems are normal.

- A solid green LED light indicates the battery is fully charged.
- A flashing green LED indicates the battery is being charged.

ORANGE LED:

The garage door opener has lost power and is in battery backup mode.

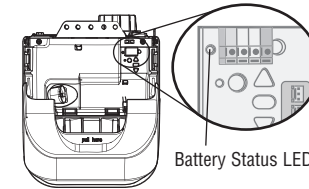
- A solid orange LED with beep, sounding approximately every 2 seconds, indicates the garage door opener is operating on battery power.
- A flashing orange LED with beep, sounding every 30 seconds, indicates the battery is low.

RED LED:

The battery needs to be replaced.

- A solid red LED with beep, sounding every 30 seconds, indicates the battery will no longer hold a charge. Go to LiftMaster.com to purchase a replacement battery to allow your system to operate during a power outage.

NOTE: The Battery Status LED is most visible with the garage door opener light off. Battery does not have to be fully charged to operate the garage door opener.



IMPORTANT SAFETY INSTRUCTIONS

WARNING

To reduce the risk of SEVERE INJURY or DEATH:

1. READ AND FOLLOW ALL WARNINGS AND INSTRUCTIONS.
2. ALWAYS keep remote controls out of reach of children. NEVER permit children to operate or play with garage door control push buttons or remote controls.
3. ONLY activate garage door when it can be seen clearly, it is properly adjusted, and there are no obstructions to door travel.
4. ALWAYS keep garage door in sight and away from people and objects until completely closed. NO ONE SHOULD CROSS THE PATH OF THE MOVING DOOR.
5. NO ONE SHOULD GO UNDER A STOPPED, PARTIALLY OPENED DOOR.
6. If possible, use emergency release handle to disengage trolley ONLY when garage door is CLOSED. Use caution when using this release with the door open. Weak or broken springs or unbalanced door could result in an open door falling rapidly and/or unexpectedly and increasing the risk of SEVERE INJURY or DEATH.
7. NEVER use emergency release handle unless garage doorway is clear of persons and obstructions.
8. NEVER use handle to pull garage door open or closed. If rope knot becomes untied, you could fall.
9. After ANY adjustments are made, the safety reversal system MUST be tested.
10. Safety reversal system MUST be tested every month. Garage door MUST reverse on contact with 1-1/2" (3.8 cm) high object (or a 2x4 laid flat) on the floor. Failure to adjust the garage door opener properly increases the risk of SEVERE INJURY or DEATH.
11. ALWAYS KEEP GARAGE DOOR PROPERLY BALANCED (see page 4). An improperly balanced door may NOT reverse when required and could result in SEVERE INJURY or DEATH.
12. ALL repairs to cables, spring assemblies and other hardware, ALL of which are under EXTREME tension, MUST be made by a trained door systems technician.
13. To avoid interference with the proper operation of the garage door opener when using a welder in the garage, unplug garage door opener before operating welder.
14. To avoid SERIOUS PERSONAL INJURY or DEATH from electrocution, disconnect ALL electric and battery power BEFORE performing ANY service or maintenance.
15. This operator system is equipped with an unattended operation feature. The door could move unexpectedly. NO ONE SHOULD CROSS THE PATH OF THE MOVING DOOR.
16. DO NOT install on a one-piece door if using devices or features providing unattended close. Unattended devices and features are to be used ONLY with sectional doors.

17. SAVE THESE INSTRUCTIONS.

Operation

Features

Your garage door opener is equipped with features to provide you with greater control over your garage door operation.

ALERT2CLOSE

The Alert2Close feature provides a visual and an audible alert that an unattended door is closing.

TIMER-TO-CLOSE (TTC)

The TTC feature automatically closes the door after a specified time period that can be adjusted using a TTC enabled door control (Models 881LMW or 880LMW). Prior to and during the door closing the garage door opener lights will flash and the garage door opener will beep.

MYQ

myQ® technology uses a 900MHz signal to provide two-way communication between the garage door opener and myQ® enabled accessories. Your garage door opener is compatible with up to 16 myQ® accessories.

SECURITY+ 2.0 REMOTE CONTROLS AND DOOR CONTROLS

Your garage door opener has already been programmed at the factory to operate with your remote control, which changes with each use, randomly accessing over 100 billion new codes. Compatible with myQ® and Security+ 2.0 accessories, see page 45

NOTE: Older LiftMaster remote controls, door controls, and third party products are not compatible.

Security+ 2.0 Accessories	MEMORY CAPACITY
Remote Controls	Up to 12
Door Controls	Up to 2 Smart Control Panels or 4 of any other Security+ 2.0 door controls
Keyless Entries	Up to 1

THE PROTECTOR SYSTEM® (SAFETY REVERSING SENSORS)

When properly connected and aligned, the safety reversing sensors will detect an obstruction in the path of the infrared beam. If an obstruction breaks the infrared beam while the door is closing, the door will stop and reverse to full open position. If the door is fully open, and the safety reversing sensors are not installed, or are misaligned, the door will not close from a remote control. However, you can close the door if you hold the button on the door control or keyless entry until the door is fully closed. The safety reversing sensors do not effect the opening cycle.

LIGHTS

The garage door opener light bulbs will turn on when the opener is initially plugged in; power is restored after interruption, or when the garage door opener is activated. The lights will turn off automatically after 4-1/2 minutes. Use an incandescent A19 light bulb (100 watt maximum).

USING YOUR GARAGE DOOR OPENER

The garage door opener can be activated through a wall-mounted door control, remote control, wireless keyless entry or myQ® App.

When the door is closed and the garage door opener is activated the door will open. If the door makes contact with an obstruction while opening, the door will stop, opener beeps and lights flash 5 times. When the door is in any position other than closed and the garage door opener is activated, the door will close. If the garage door makes contact with an obstruction while closing, the door will reverse, opener beeps and lights flash 5 times. However, you can close the door if you hold the button on the door control or keyless entry until the door is fully closed.

The safety reversing sensors do not affect the opening cycle. The safety reversing sensor must be connected and aligned correctly before the garage door opener will move in the down direction.

BATTERY BACKUP*

The battery backup system allows access in and out of your garage, even when the power is out. When the garage door opener is operating on battery power, the garage door opener will run slower, the light will not function, the Battery Status LED will glow solid orange, and a beep will sound approximately every 2 seconds.

*if applicable

Operation

Connect With Your Smartphone

The Wi-Fi Garage Door Opener is compatible with up to 16 myQ® enabled accessories. Up to 10 devices can be paired to the Wi-Fi garage door opener's internal gateway. These devices can be controlled with the myQ® App. These devices include any combination of myQ® garage door openers, Wi-Fi garage door openers, myQ® light controls, myQ® gate operators or myQ® commercial door operators. A LiftMaster Internet Gateway (828LM) can be added if you need to control more than 10 devices using the myQ® App. Up to 6 devices can be paired to garage door opener itself (controlled by garage door opener through 900MHz). These devices include any combination of myQ® light controls or a garage door and gate monitor.

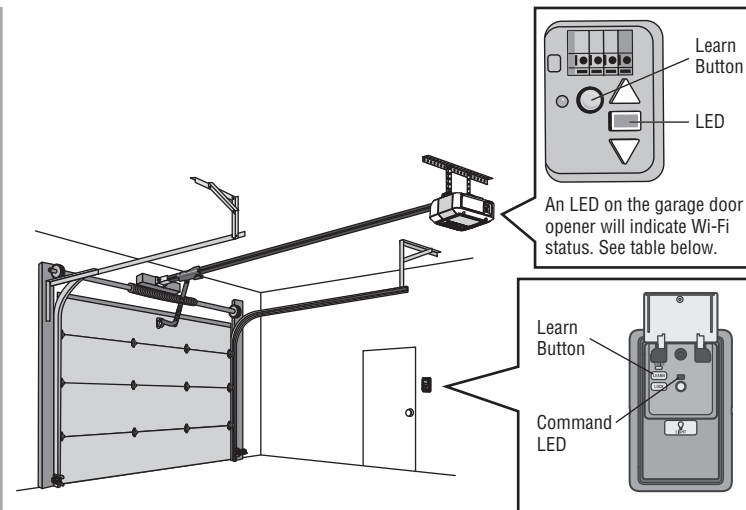
YOU WILL NEED:

- Wi-Fi enabled smartphone, tablet or laptop
- Broadband Internet Connection
- Wi-Fi signal in the garage (**2.4 GHz, 802.11b/g/n required**), see page 4
- Password for your home network (router's main account, not guest network)
- myQ® serial number located on the garage door opener

DOWNLOAD THE myQ® APP TO SET UP AN ACCOUNT AND CONNECT

Open and close your door, get alerts and set schedules from anywhere. Connected smart garage door openers also receive software updates to ensure the opener has the latest operational features. The garage door opener must run through a complete cycle before it will activate Wi-Fi® programming.

1. Download the myQ® App.
2. Set up an account and connect.



WI-FI STATUS	
LED	Definition
Blue	Off - Wi-Fi is not turned on. Blinking - Garage door opener is in Wi-Fi learn mode. Solid - Mobile device connected to the garage door opener.
Blue and Green	Blinking - Attempting to connect to router.
Green	Blinking - Attempting to connect to the Internet server. Solid - Wi-Fi has been set up and garage door opener is connected to the internet.

NOTES:

myQ® App control WILL NOT work if the garage door opener is operating on battery power.

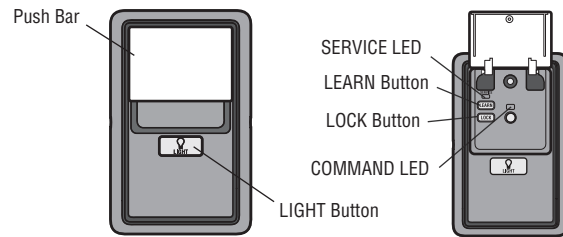
To erase the Wi-Fi settings, see page 41.

Operation

Using the Multi-Function Door Control 882LMW

SYNCHRONIZE THE DOOR CONTROL

To synchronize the door control to the garage door opener, press the push bar until the garage door opener activates (it may take up to 3 presses). Test the door control by pressing the push bar, each press of the push bar will activate the garage door opener.



PUSH BAR

Press the push bar to open or close the door.

LIGHT BUTTON

Press the LIGHT button to turn the garage door opener lights on or off. When the lights are turned on they will stay on until the LIGHT button is pressed again, or until the garage door opener is activated. Once the garage door opener is activated the lights will turn off after the specified period of time (the factory setting is 4-1/2 minutes). The LIGHT button will not control the lights when the door is in motion.

The following features are accessible by lifting up the push bar:

LEARN A DEVICE

Any compatible remote controls, wireless keyless entry, or myQ® accessories can be programmed to the garage door opener by pressing the LEARN button of the door control, see page 40.

LOCK

The LOCK feature is designed to prevent activation of the garage door opener from remote controls while still allowing activation from the door control and keyless entry. This feature is useful for added peace of mind when the home is empty (i.e. vacation).

MAINTENANCE ALERT (MAS)

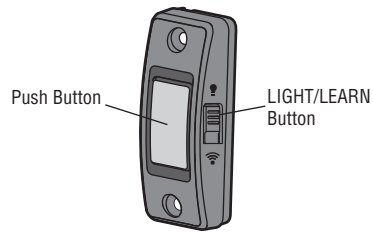
This feature assists the homeowner in ensuring the garage door opener system stays in good working condition. When the garage door opener needs to be serviced (approximately 4500 garage door opener cycles) the command (yellow) and service (red) LEDs will begin to alternately flash back and forth. The factory setting for the MAS feature is off and can be activated at time of installation. Contact your installing dealer for service.

Operation

Using the Push Button Door Control 883LMW

SYNCHRONIZE THE DOOR CONTROL

To synchronize the door control to the garage door opener, press the push button until the garage door opener activates (it may take up to 3 presses). Test the door control by pressing the push button, each press of the push button will activate the garage door opener.



PUSH BUTTON

Press the push button to open or close the door.

LIGHT/LEARN BUTTON

Press the LIGHT button to turn the garage door opener lights on or off. When the lights are turned on they will stay on until the LIGHT button is pressed again, or until the garage door opener is activated. Once the garage door opener is activated the lights will turn off after the specified period of time (the factory setting is 4-1/2 minutes). The LIGHT button will not control the lights when the door is in motion.

Operation

Using the Door Control

LOCK

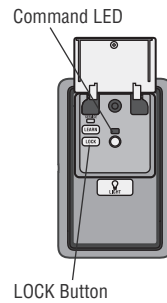
Your remote controls will NOT work when LOCK mode is active however your keyless entry will still allow access to your garage.

Activate:

Press and hold the LOCK button for 2 seconds. The command LED will flash as long as the lock feature is activated and your handheld remote control will not operate your door at this time.

Deactivate:

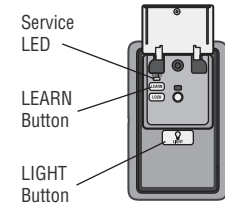
Press and hold the LOCK button again for 2 seconds. The command LED will stop flashing and normal operation will resume.



MAINTENANCE ALERT SYSTEM (MAS):

Activate/Deactivate:

Press and hold the LEARN button. Then press the LIGHT button. The service LED will flash the status; Active is 2 flashes and deactivated is 3 flashes.



Operation

Remote Control

Your remote control has been programmed at the factory to operate with your garage door opener.

Older LiftMaster remote controls are NOT compatible, see page 45 for compatible accessories. Programming can be done through the door control or the learn button the garage door opener. To program additional accessories refer to the instructions provided with the accessory or visit LiftMaster.com. If your vehicle is equipped with a Homelink®, you may require an external adapter depending on the make, model, and year of your vehicle. Visit www.homelink.com for additional information.

TO ADD, REPROGRAM, OR CHANGE A REMOTE CONTROL/KEYLESS ENTRY PIN USING THE PUSH BUTTON DOOR CONTROL - MODEL 882LMW

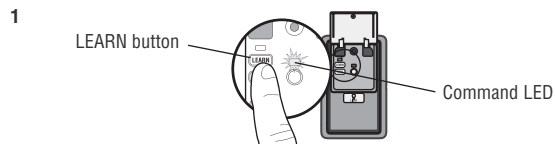
1. Press the LEARN button on the door control **twice**. The Command LED will blink.
2. **Remote Control:**

Press the button on the remote control that you wish to operate your garage door.

Keyless Entry:

Enter a 4-digit personal identification number (PIN) of your choice on the keyless entry keypad. Then press the ENTER button.

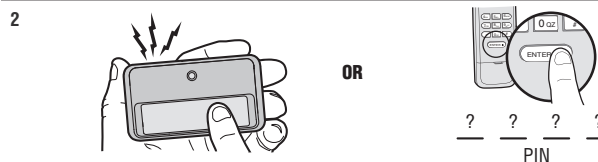
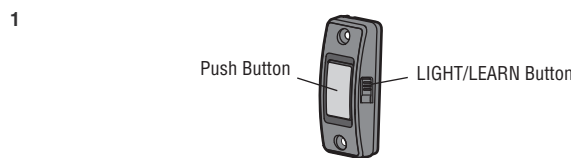
The garage door opener lights will flash (or two clicks will be heard) and the Command LED will stop blinking when the code has been programmed. Repeat the steps above for programming additional remote controls or keyless entry devices. If programming is unsuccessful, program the remote using the learn button.



TO ADD, REPROGRAM, OR CHANGE A REMOTE CONTROL/KEYLESS ENTRY PIN USING THE MULTI FUNCTION DOOR CONTROL - MODEL 883LMW

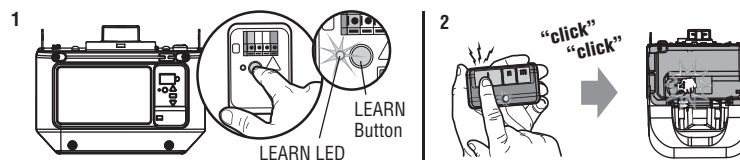
1. Press and hold the LIGHT button and the push button until the push button LED begins to blink.
2. **Remote Control:**
Press the button on the remote control that you wish to operate your garage door.
Keyless Entry:
Enter a 4-digit personal identification number (PIN) of your choice on the keyless entry keypad. Then press the ENTER button.

The garage door opener lights will flash (or two clicks will be heard) when the code has been programmed. Repeat the steps above for programming additional remote controls or keyless entry devices. If programming is unsuccessful, program the remote using the learn button.



TO ADD, REPROGRAM, OR CHANGE A REMOTE CONTROL USING THE LEARN BUTTON

1. Press and release the LEARN Button on the garage door opener.
2. Press and hold the button on the remote control that you wish to use. Release the button when the garage door opener lights blink or two clicks are heard.



Operation

To Erase the Memory

ERASE ALL REMOTE CONTROLS AND KEYLESS ENTRIES

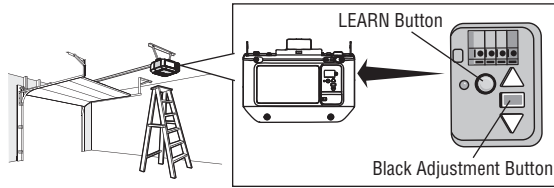
1. Press and hold the LEARN button on garage door opener until the learn LED goes out (approximately 6 seconds). All remote control and keyless entry codes are now erased. Reprogram any accessory you wish to use.

ERASE ALL DEVICES INCLUDING myQ® ENABLED ACCESSORIES

1. Press and hold the LEARN button on garage door opener until the learn LED goes out (approximately 6 seconds).
2. Immediately press and hold the LEARN button again until the learn LED goes out. All codes are now erased. Reprogram any accessory you wish to use.

ERASE THE Wi-Fi® NETWORK FROM THE GARAGE DOOR OPENER

1. Press and hold the black adjustment button on the garage door opener until 3 beeps are heard (Approximately 6 seconds).



To Open the Door Manually

WARNING

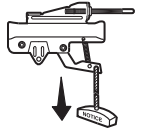
To prevent possible **SERIOUS INJURY** or **DEATH** from a falling garage door:

- If possible, use emergency release handle to disengage trolley **ONLY** when garage door is **CLOSED**. Weak or broken springs or unbalanced door could result in an open door falling rapidly and/or unexpectedly.
- **NEVER** use emergency release handle unless garage doorway is clear of persons and obstructions.
- **NEVER** use handle to pull door open or closed. If rope knot becomes untied, you could fall.

FOR T-RAIL

Disconnect the trolley

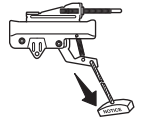
1. The door should be fully closed if possible.
2. Pull down on the emergency release handle.



Reconnect the trolley

The lockout feature prevents the trolley from reconnecting automatically.

1. Pull the emergency release handle down and back (toward the opener). The door can then be raised and lowered manually as often as necessary.
2. To disengage the lockout feature, pull the handle straight down. The trolley will reconnect on the next UP or DOWN operation, either manually or by using the door control or remote control.



Maintenance

Maintenance Schedule

EVERY MONTH

- Manually operate door. If it is unbalanced or binding, call a trained door systems technician.
- Check to be sure door opens and closes fully. Adjust if necessary, see page 30.
- Test the safety reversal system. Adjust if necessary, see page 31.

EVERY YEAR

- Oil door rollers, bearings and hinges. The garage door opener does not require additional lubrication. Do not grease the door tracks.
- Test the battery and consider replacing the battery to ensure the garage door opener will operate during an electrical power outage, see page 32 to test the battery backup.

EVERY TWO TO THREE YEARS - T-RAIL ONLY

- Use a rag to wipe away the existing grease from the garage door opener rail. Reapply a small layer of white lithium grease to the top and underside of the rail surface where the trolley slides.

NOTICE: This device complies with part 15 of the FCC rules and Innovation, Science and Economic Development Canada license-exempt RSSs. Operation is subject to the following two conditions: (1) this device may not cause harmful interference, and (2) this device must accept any interference received, including interference that may cause undesired operation.

Any changes or modifications not expressly approved by the party responsible for compliance could void the user's authority to operate the equipment.

This device must be installed to ensure a minimum 20 cm (8 in.) distance is maintained between users/bystanders and device.

This device has been tested and found to comply with the limits for a Class B digital device, pursuant to part 15 of the FCC rules and Industry Canada ICES standard. These limits are designed to provide reasonable protection against harmful interference in a residential installation. This equipment generates, uses and can radiate radio frequency energy and, if not installed and used in accordance with the instructions, may cause harmful interference to radio communications. However, there is no guarantee that interference will not occur in a particular installation. If this equipment does cause harmful interference to radio or television reception, which can be determined by turning the equipment off and on, the user is encouraged to try to correct the interference by one or more of the following measures:

- Reorient or relocate the receiving antenna.
- Increase the separation between the equipment and receiver.
- Connect the equipment into an outlet on a circuit different from that to which the receiver is connected.
- Consult the dealer or an experienced radio/TV technician for help.

The Remote Control Battery

WARNING

To prevent possible **SERIOUS INJURY** or **DEATH**:

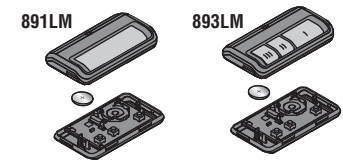
- NEVER allow small children near batteries.
- If battery is swallowed, immediately notify doctor.

To reduce risk of fire, explosion or chemical burn:

- Replace **ONLY** with 3V CR2032 coin batteries.
- **DO NOT** recharge, disassemble, heat above 212°F (100°C) or incinerate.

To replace the battery, pry open the case in the middle, then at each side with the visor clip. Insert replacement battery positive side up (+). Replace the batteries with only 3V CR2032 coin cell batteries.

Dispose of old batteries properly.



Troubleshooting

Diagnostic Chart

Your garage door opener is programmed with self-diagnostic capabilities. The UP and DOWN arrows on the garage door opener flash the diagnostic codes.

DIAGNOSTIC CODE		SYMPTOM	SOLUTION
Up Arrow Flash(es)	Down Arrow Flash(es)		
1	1	The garage door opener will not close.	Safety reversing sensors are not installed, connected, or wires may be cut. Inspect sensor wires for a disconnected or cut wire.
1	2	The garage door opener will not close.	There is a short or reversed wire for the safety reversing sensors. Inspect safety sensor wire at all staple and connection points, replace wire or correct as needed.
1	3	The door control will not function.	The wires for the door control are shorted or the door control is faulty. Inspect door control wires at all staple and connection points, replace wire or correct as needed.
1	4	The garage door opener will not close.	Safety reversing sensors are misaligned or were momentarily obstructed. Realign both sensors until both LEDs are glowing steady. Make sure nothing is hanging or mounted on the door that would interrupt the sensor's path while closing.
1	5	Door moves 6-8" (15-20 cm) stops or reverses.	Manually open and close the door. Check for binding or obstructions, such as a broken spring or door lock, correct as needed. Check wiring connections at travel module and at the logic board. Replace travel module if necessary.
		No movement, only a single click.	Manually open and close the door. Check for binding or obstructions, such as a broken spring or door lock, correct as needed. Replace logic board if necessary.
		Opener hums for 1-2 seconds no movement.	Manually open and close the door. Check for binding or obstructions, such as a broken spring or door lock, correct as needed. Replace motor if necessary.
1	6	Door coasts after it has come to a complete stop.	Program travel to coasting position or have door balanced by a trained door systems technician.
2	1-5	No movement, or sound.	Replace logic board.
3	2	Unable to set the travel or retain position.	Check travel module for proper assembly, replace if necessary.
3	3	The battery status LED is constantly flashing green.*	Battery backup charging circuit error, replace the logic board. *(if applicable)

Troubleshooting

DIAGNOSTIC CODE		SYMPTOM	SOLUTION
Up Arrow Flash(es)	Down Arrow Flash(es)		
4	1-4	Door is moving, stops or reverses. Opener beeps and lights flash.	Manually open and close the door. Check for binding or obstructions, such as a broken spring or door lock, correct as needed. If the door is binding or sticking, contact a trained door systems technician. If door is not binding or sticking attempt to reprogram travel (refer to page 30).
4	5	Opener runs approximately 6-8" (15-20 cm), stops and reverses.	Communication error to travel module. Check travel module connections, replace travel module if necessary.
4	6	The garage door opener will not close.	Safety reversing sensors are misaligned or were momentarily obstructed. Realign both sensors to ensure both LEDs are steady and not flickering. Make sure nothing is hanging or mounted on the door that would interrupt the sensor's path while closing.

The garage door opener will NOT enter Wi-Fi® LEARN mode:

- After the initial installation of the garage door opener, the garage door opener must complete a full cycle (open and closed) before the Wi-Fi LEARN mode can be activated.
- If there has been a recent power outage, the garage door opener must complete a full cycle before the Wi-Fi LEARN mode can be activated.

See page 36 to activate Wi-Fi LEARN mode.

Cannot connect garage door opener to home Wi-Fi network:

- Ensure the myQ® Serial number was entered correctly and try again. The myQ® characters are between A-F and 0-9 only.
- Weak Wi-Fi signal in the garage. Ensure the Wi-Fi signal is reaching the garage, see page 4 or visit LiftMaster.com/Customer-Support for more information.

My door will not close:

The safety reversing sensor must be connected and aligned correctly before the garage door opener will move in the down direction.

- Check for binding or obstructions anywhere along the track to garage floor.
- The safety reversing sensor must be connected and aligned correctly before the garage door opener will move in the down direction.
 - Verify the safety reversing sensors are properly installed, aligned and free of any obstructions.

My neighbor's remote control opens my garage door:

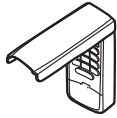
Erase the memory from your garage door opener and reprogram the remote control(s).

My vehicle's Homelink® is not programming to my garage door opener:

Depending on the make, model, and year of your vehicle an external adapter may be required. Visit www.homelink.com for additional information.

Accessories

878MAX



MAX Wireless Keyless Entry:

For use outside of the home to enable access to the garage using a 4-digit PIN. Works with ALL LiftMaster openers from 1993-present.

893MAX



3-Button MAX Remote Control:

Compatible with LiftMaster garage door openers manufactured since 1993. Includes visor clip.

880LMW



Smart Control Panel:

Displays temperature, time and system diagnostics; includes a push bar to open and close the door and a lock feature for extra security. Security+ 2.0 and Wi-Fi compatible.

819LMB



myQ Home Bridge:

Add Apple HomeKit compatibility to your myQ enabled garage door opener. Use Siri to open, close and check the status of your door.

Apple is a trademark of Apple Inc., registered in the U.S. and other countries.
HomeKit is a trademark of Apple Inc.

891LM



Single Button Remote Control:

Compatible with LiftMaster garage door openers manufactured since 1993. Includes visor clip.

882LMW



Multi-Function Control Panel:

Security+ 2.0 and Wi-Fi compatible.

485LM



12V Battery for Backup System:

Provides backup power to the garage door opener.

374UT



Mini Universal Remote Control:

The Mini Universal Remote Control can be programmed to activate up to two products, such as a garage door opener, myQ light controls, gate operator, or commercial door operator.

380UT



Universal Remote Control:

The Universal Remote Control can be programmed to activate up to two products, such as a garage door opener, gate operator, or commercial door operator.

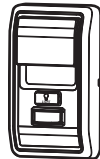
881LMW



Motion Detecting Control Panel with Timer-to-Close Control:

Multi-function door control with motion sensor that automatically turns opener lights on when it detects a person entering the garage. Security+ 2.0 and Wi-Fi compatible.

886LMW



Motion Detecting Control Panel:

Multi-function door control with motion sensor that automatically turns opener lights on when it detects a person entering the garage. Security+ 2.0 and Wi-Fi compatible.

Warranty

WARRANTY PERIOD					
Models	Parts	Motor	Accessories	Belt	Battery Backup*
8160W 8165W 8164W	1 year	4 years	1 year	N/A	N/A
8160WB	1 year	4 years	1 year	N/A	1 year
8155W	1 year	4 years	1 year	10 years	N/A
8365W-267	1 year	Lifetime	1 year	N/A	N/A

The proper operation of this product is dependent on your compliance with the instructions regarding installation, operation, and maintenance and testing. Failure to comply strictly with those instructions will void this limited warranty in its entirety.

If, during the limited warranty period, this product appears to contain a defect covered by this limited warranty, call 1-800-528-9131, toll free, before dismantling this product. You will be advised of disassembly and shipping instructions when you call. Then send the product or component, pre-paid and insured, as directed to our service center for warranty repair. Please include a brief description of the problem and a dated proof-of-purchase receipt with any product returned for warranty repair. Products returned to Seller for warranty repair, which upon receipt by Seller are confirmed to be defective and covered by this limited warranty, will be repaired or replaced (at Seller's sole option) at no cost to you and returned pre-paid. Defective parts will be repaired or replaced with new or factory-rebuilt parts at Seller's sole option. [You are responsible for any costs incurred in removing and/or reinstalling the product or any component].

ALL IMPLIED WARRANTIES FOR THE PRODUCT, INCLUDING BUT NOT LIMITED TO ANY IMPLIED WARRANTIES OF MERCHANTABILITY AND FITNESS FOR A PARTICULAR PURPOSE, ARE LIMITED IN DURATION TO THE APPLICABLE LIMITED WARRANTY PERIOD SET FORTH ABOVE FOR THE RELATED COMPONENT(S), AND NO IMPLIED WARRANTIES WILL EXIST OR APPLY AFTER SUCH PERIOD. Some States and Provinces do not allow limitations on how long an implied warranty lasts, so the above limitation may not apply to you. THIS LIMITED WARRANTY DOES NOT COVER NON-DEFECT DAMAGE, DAMAGE CAUSED BY IMPROPER INSTALLATION, OPERATION OR CARE (INCLUDING, BUT NOT LIMITED TO ABUSE, MISUSE, FAILURE TO PROVIDE REASONABLE AND NECESSARY MAINTENANCE, UNAUTHORIZED REPAIRS OR ANY ALTERATIONS TO THIS PRODUCT), LABOR CHARGES FOR REINSTALLING A REPAIRED OR REPLACED UNIT, REPLACEMENT OF CONSUMABLE ITEMS (E.G., BATTERIES IN REMOTE CONTROL TRANSMITTERS AND LIGHT BULBS), OR UNITS INSTALLED FOR NON-RESIDENTIAL USE. THIS LIMITED WARRANTY DOES NOT COVER ANY PROBLEMS WITH, OR RELATING TO, THE GARAGE DOOR OR GARAGE DOOR HARDWARE, INCLUDING BUT NOT LIMITED TO THE DOOR SPRINGS, DOOR ROLLERS, DOOR ALIGNMENT OR HINGES. THIS LIMITED WARRANTY ALSO DOES NOT COVER ANY PROBLEMS CAUSED BY INTERFERENCE. UNDER NO CIRCUMSTANCES SHALL SELLER BE LIABLE FOR CONSEQUENTIAL, INCIDENTAL OR SPECIAL DAMAGES ARISING IN CONNECTION WITH USE, OR INABILITY TO USE, THIS PRODUCT. IN NO EVENT SHALL SELLER'S LIABILITY FOR BREACH OF WARRANTY, BREACH OF CONTRACT, NEGLIGENCE OR STRICT LIABILITY EXCEED THE COST OF THE PRODUCT COVERED HEREBY. NO PERSON IS AUTHORIZED TO ASSUME FOR US ANY OTHER LIABILITY IN CONNECTION WITH THE SALE OF THIS PRODUCT.

Some states and provinces do not allow the exclusion or limitation of consequential, incidental or special damages, so the above limitation or exclusion may not apply to you. This limited warranty gives you specific legal rights, and you may also have other rights, which vary from state to state and province to province.

*If applicable

Automatic Garage Door Opener Safety & Maintenance Guide

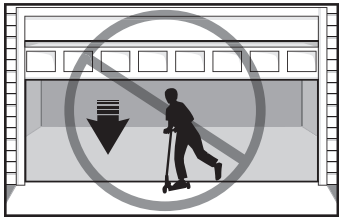
Garage Door Opener Safety – An Automatic Decision

A garage door is the largest moving object in the home. An improperly adjusted garage door and opener can exert deadly force when the door closes – which could lead to entrapment of children or adults and subsequent injury or death.

Proper installation, operation, maintenance, and testing of the garage door and automatic opener are necessary to provide a safe, trouble-free system. Careless operation or allowing children to play with or use garage door opener controls are also dangerous situations that can lead to tragic results. A few simple precautions can protect your family and friends from potential harm. Please review the safety and maintenance tips in this guide carefully and keep it for reference. Check the operation of your garage door and opener to ensure they function in a safe and trouble-free manner. Be sure to read all Important Safety Information found in your garage door opener's manual as it provides more details and safety considerations than can be supplied with this guide.

Garage Door Openers are Not Toys

Discuss garage door and opener safety with your children. Explain the danger of being trapped under the door.



Stay away from a moving door.



The wall-mounted push button should be out of reach of children, at least 5 feet from the nearest standing surface and away from all moving parts. Mount and use the button where you can clearly see the closing garage door.



Keep transmitters and remote controls out of reach of children. Do not let children play with or use transmitters or other remote control devices.



Keep the door in sight until it completely closes when using the wall-mounted push button or transmitter.

Routine Maintenance Can Prevent Tragedies

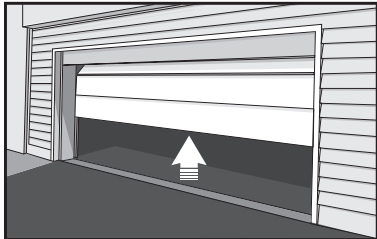
Make monthly inspection and testing of your garage door and opener system a part of your regular routine. Review your owner's manual for both the door and door opener. If you don't have the owner's manuals, contact the manufacturer(s) and request a copy for your specific model(s). Look for the opener model number on the back of the power unit.

⚠ WARNING – SPRINGS ARE UNDER HIGH TENSION. ONLY QUALIFIED INDIVIDUALS SHOULD ADJUST THEM.



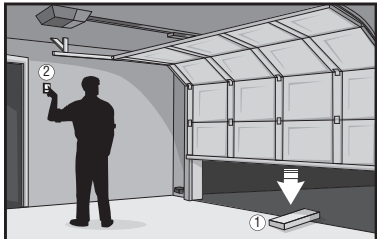
Visually check the door and installation:

- Starting with the door in the closed position, use the manual disconnect on the opener to disconnect the door.
- Look for signs of wear or damage on hinges, rollers, springs, and door panels.
- These parts may require periodic lubrication. Check the owner's manual for suggested maintenance.
- If any signs of damage are evident, contact a trained door systems technician for assistance.
- Verify the photoeye height is no higher than 6" from the garage floor.



Test the door for proper operation:

- Open and close the door manually using handles or suitable gripping points.
- The door should move freely and without difficulty.
- **The door should balance and stay partially open 3–4 feet above the floor.**
- If you detect any signs of improper operation, contact a trained door systems technician for assistance.



Test the opener safety features:

- Reconnect the opener to the door using the manual disconnect and open the door.
- Place a 2x4 board flat in the path of the door (1) and try to close it (2). The door should stop when it comes in contact with the 2x4 and then reverse direction.
- Block the photoelectric sensor by waving an object in front of the sensor and attempt to close the door. The door should not close unless the wall-mounted push button is manually held during operation.
- If the opener does not perform as described, contact a trained door systems technician for assistance.



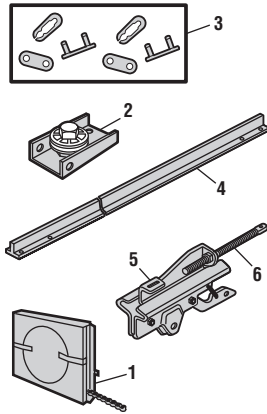
Repair Parts

Models 8160W, 8160WB, 8164W, 8165W, and 8365W-267

For Square Rail see instructions included with the LMSSRKIT.

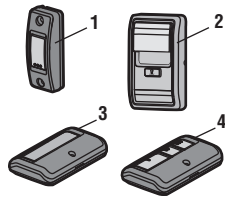
RAIL ASSEMBLY PARTS

Description	Part Number
1 Chain - for 7 foot door Chain - for 8 foot door Chain - for 10 foot door	041D3484 041D3483 041D3485
2 Chain Pulley Bracket	041A4813
3 Master link	004A1008
4 One-Piece Rail 7 feet (2.1 m) One-Piece Rail 8 feet (2.4 m) One-Piece Rail 10 feet (3 m)	1707LM 1708LM 1710LM
5 Trolley Assembly Includes: Threaded Shaft (1), Nuts (2), Washer (1), Clevis Pin (1), Ring (1), Master Link (1), Chain Extension	041A3489
6 Trolley Threaded Shaft	041A6689
Not Shown	
Rail Grease	K083A0011-1



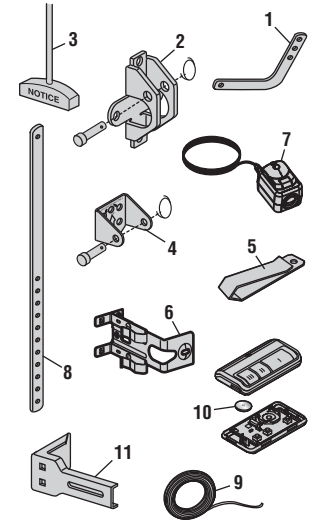
ACCESSORIES

Description	Part Number
1 Push Button Door Control Model 8164W	883LMW
2 Multi-function Control Panel Models 8160W, 8160WB, 8165W, and 8365W-267	882LMW
3 1 Button Remote Control Model 8164W	891LM
4 3 Button Remote Control Models 8160W, 8160WB, 8165W, and 8365W-267	893LM



INSTALLATION PARTS

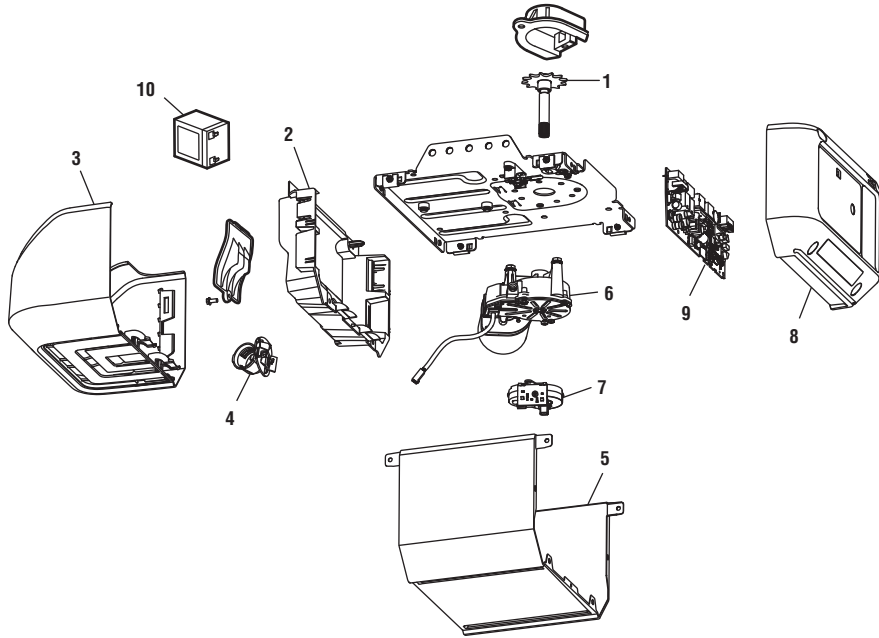
Description	Part Number
1 Curved door arm	041B0035B
2 Door bracket with clevis pin and fastener	041A5047
3 Emergency release rope and handle	041A2828
4 Header bracket with clevis pin and fastener	041A4353
5 Remote control visor clip	K029B0137
6 Safety sensor bracket	041-0155-000
7 Safety sensor kit with receiving and sending sensors with 3 feet (.9 m) 2-conductor wire	041-0136
8 Straight door arm	4178B0034B
9 White and red/white wire	041B4494-1
10 3V CR2032 lithium battery	K010A0020
11 Extension bracket (optional)	041A5281-1
Not Shown	
Installation hardware bag	041A2770-6
User's Guide	114-5711-000



Repair Parts

Models 8160W and 8160WB

GARAGE DOOR OPENER PARTS

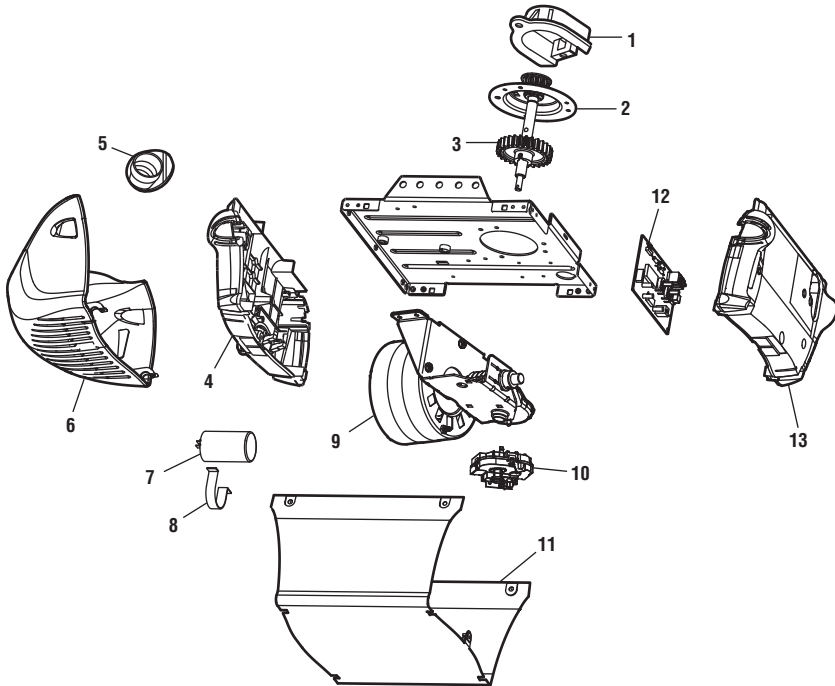


Description	Part Number
1 Sprocket and sprocket cover	041B5348-2
2 End panel with light socket Model 8160W	041A7756-1
Model 8160WB	041A7618
3 Light Lens	041A7562
4 Light socket	041C0279
5 Cover	041-0133-000
6 Motor with travel module	041D8006-1
7 Travel Module	041D8071-4
8 Logic board end panel	041D0233-3
9 Logic board	050DCTBMC
10 Battery Backup (Model 8160WB only)	485LM
Not Shown	
Wire Harness	041D9069
Transformer Model 8160W	041A7635-1
Model 8160WB	041D0277-1
Line cord	041B4245-1
Terminal block	041A3150

Repair Parts

Models 8164W and 8165W

GARAGE DOOR OPENER PARTS



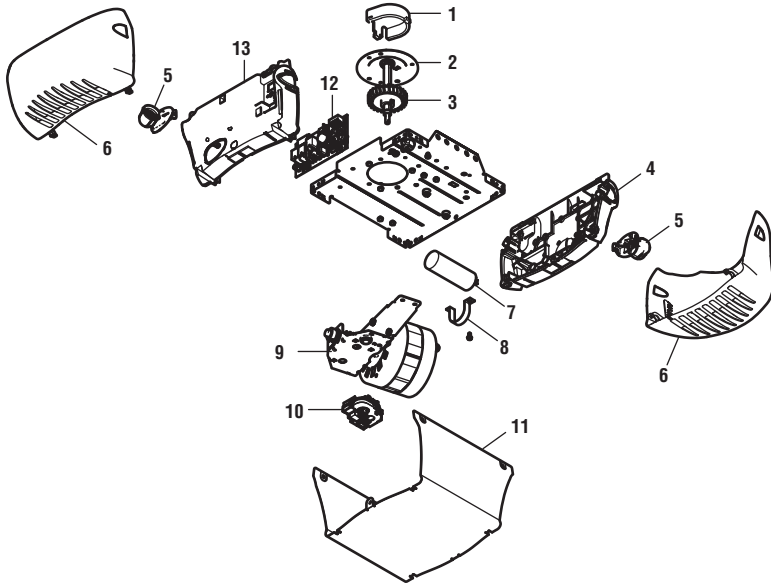
	Description	Part Number
1	Sprocket cover	031D0380M
2	Gear and sprocket	041C4220A
3	Drive and Worm Gear	041A2817
4	Front end panel with all labels	041A8393
5	Light socket	041C0279
6	Light lens	K108D0079M
7	Capacitor	030B0532-1
8	Capacitor bracket	K012A0373
9	Universal motor	041D7440
10	Travel module	041D7742-7
11	Cover	041D9018
12	Logic board	050ACTBMC
13	Logic board end panel	041D0239-1
Not Shown		
	Line cord	041B4245-1
	Terminal block	041A3150
	Wire Harness	041A7946

Repair Parts

Model 8365W-267

For Square Rail see instructions included with the rail kit model LMSSRKIT.

GARAGE DOOR OPENER PARTS



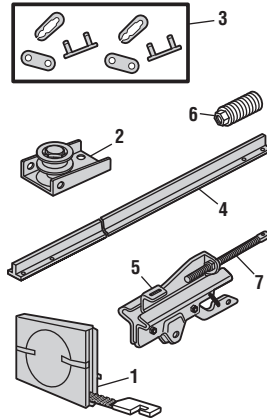
Description	Part Number
1 Sprocket cover with screws	031D0380M
2 Gear and sprocket	041C4220A
3 Drive and Worm Gear	041A2817
4 Front end panel with all labels	041A8393
5 Light socket	041C0279
6 Light lens	K108D0079M
7 Capacitor	030B0532-1
8 Capacitor bracket	K012A0373
9 Universal motor	041D7440
10 Travel module	041D7742-7
11 Cover	041D8993
12 Logic board	050ACTBMC
13 Logic board end panel	041D0210-1
Not Shown	
Line cord	041B4245-1
Wire Harness	041D8227
Terminal block	041A3150

Repair Parts

Model 8155W

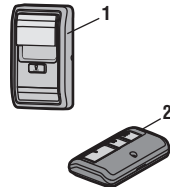
RAIL ASSEMBLY PARTS

Description	Part Number
1 Belt - for 7 foot door Belt - for 8 foot door Belt - for 10 foot door	041A5434-11A 041A5434-13A 041A5434-14A
2 Belt Pulley Bracket	041B5424
3 Master link	004A1008
4 One-Piece Rail 7 feet (2.1 m) One-Piece Rail 8 feet (2.4 m) One-Piece Rail 10 feet (3 m)	2777BD 2778BD 2770BD
5 Trolley Assembly Includes: Master Link (2), Clevis Pin (1), Ring (1), Belt Clip (1), Threaded Shaft (1), and Tensioner Assembly (1)	041B3869-3A
6 Tensioner Assembly	041B4103
7 Trolley Threaded Shaft	041A6689



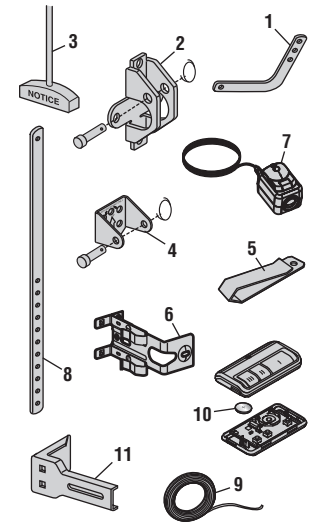
ACCESSORIES

Description	Part Number
1 Multi-function control panel	882LMW
2 3-button remote control	893LM



INSTALLATION PARTS

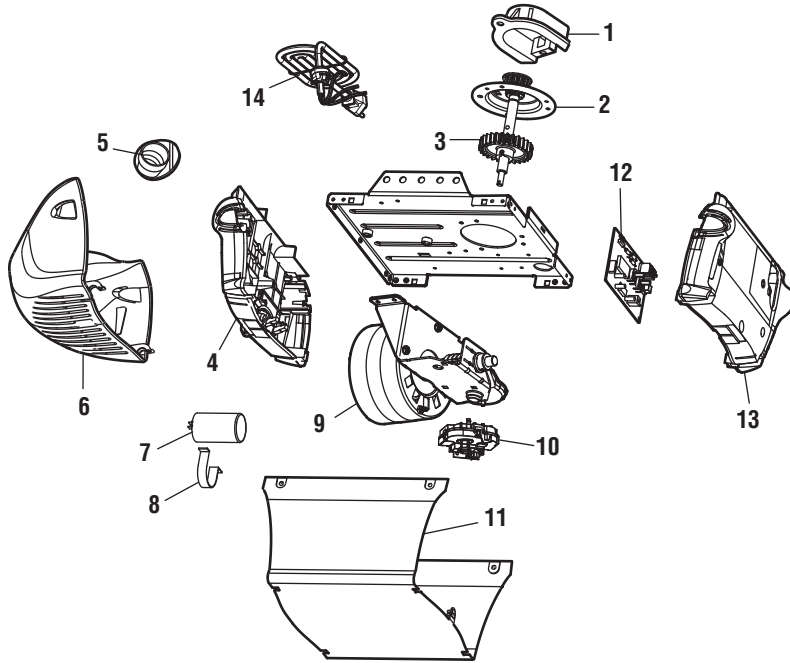
Description	Part Number
1 Curved door arm	041B0035B
2 Door bracket with clevis pin and fastener	041A5047-1
3 Emergency release rope and handle	041A2828
4 Header bracket with clevis pin and fastener	041A4353-1
5 Remote control visor clip	K029B0137
6 Safety sensor bracket	041-0155-000
7 Safety sensor kit with receiving and sending sensors with 3 feet (.9 m) 2-conductor wire	041-0136
8 Straight door arm	4178B0034B
9 White and red/white wire	041B4494-1
10 3V CR2032 lithium battery	K010A0020
11 Extension bracket (optional)	041A5281-1
Not Shown	
Installation hardware bag	041A2770-6
User's Guide	114-5711-000



Repair Parts

Model 8155W

GARAGE DOOR OPENER PARTS



Description	Part Number
1 Sprocket cover	041A4371
2 Gear and sprocket	041A4885-4
3 Drive and Worm Gear	041A2817
4 Front end panel with all labels	041A8393
5 Light socket	041C0279
6 Light lens	K108D0079M
7 Capacitor	030B0532-1
8 Capacitor bracket	K012A0373
9 Universal motor	041D7440
10 Travel module	041D7742-7
11 Cover	041D9018
12 Logic board	050ACTBMC
13 Logic Board End Panel	041D0239-1
14 Line cord	041B4245-1
Not Shown	
Wire Harness	041A7946
Terminal block	041A3150

CONTACT INFORMATION:

Use your part number, part name or model number to find the information you need.

For parts, go to:

LiftMaster.com/parts

For help and troubleshooting, go to:

support.chamberlaingroup.com

Wi-Fi® is a registered trademark of Wi-Fi Alliance.

© 2022, LiftMaster
All Rights Reserved

Ouvre-portes de garage Wi-Fi®

Modèles à entraînement par chaîne - 8160W 8160WB 8164W 8165W

Modèles à entraînement par courroie - 8155W

USAGE RÉSIDENTIEL UNIQUEMENT



- Veuillez lire attentivement ce manuel et les documents relatifs à la sécurité ci-joints!
- La porte NE SE FERMERA PAS tant que le Protector System® n'est pas connecté et aligné correctement.
- Des vérifications périodiques de l'ouvre-porte de garage sont nécessaires pour assurer un fonctionnement sûr.
- Cet ouvre-porte de garage est UNIQUEMENT compatible avec les accessoires myQ® et Security+ 2.0®.
- Ne l'installez PAS sur une porte monobloc si vous utilisez des dispositifs ou des fonctionnalités permettant une fermeture sans surveillance. Les dispositifs et fonctionnalités sans surveillance doivent être utilisés UNIQUEMENT avec des portes sectionnelles.
- Fixez les étiquettes d'avertissement à l'endroit indiqué sur l'étiquette.

LiftMaster®

Table des matières

Préparation	3
Inventaire du carton : Modèles 8160W, 8160WB, 8164W et 8165W	6
Inventaire du carton : Modèle 8155W	7
Assemblage	8
Modèles 8160W, 8160WB, 8164W* et 8165W	8
Modèle 8155W	10
Installation	11
Installer la commande de porte	22
Installer le Protector System	25
Alimentation	29
Ajustements	32
Batterie de secours	35
Fonctionnement	37
Maintenance	45
Dépannage	46
Accessoires	48
Garantie	49
Guide de sécurité et d'entretien de l'ouvre-porte de garage automatique	50
Pièces détachées	52
Modèles 8160W, 8160WB, 8164W et 8165W	52
Modèle 8155W	55

Préparation

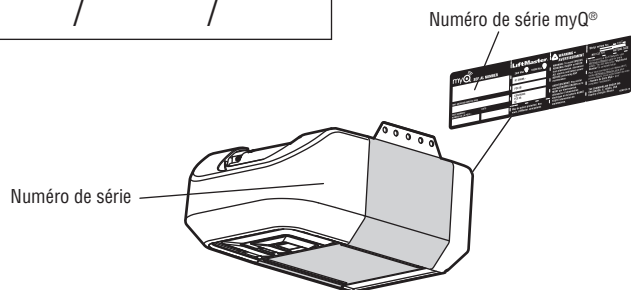
No de série myQ®

Notez les renseignements suivants pour références futures :

Numéro de série myQ® :

Numéro de série du produit :

Date d'achat :

 / 

Examen des symboles de sécurité et des notes d'avertissement.

Cet ouvre-porte de garage a été conçu et testé pour offrir un service sûr à condition qu'il soit installé, utilisé, entretenu et testé en stricte conformité avec les instructions et les avertissements de ce manuel.

Lorsque vous voyez ces symboles de sécurité et notes d'avertissement aux pages suivantes, ils vous avertissent du risque de **blessures graves voire mortelles** si vous ne respectez pas les avertissements qu'ils accompagnent. Le danger peut provenir de quelque chose de mécanique ou d'un choc électrique. Lisez attentivement les avertissements.

AVERTISSEMENT

Mécanique

AVERTISSEMENT

Électrique

Lorsque vous voyez ce mot d'avertissement aux pages suivantes, il vous avertit du risque que votre porte de garage et/ou l'ouvre-porte soit endommagé(e) si vous ne respectez pas les mises en garde qui l'accompagnent. Lisez-les attentivement.

ATTENTION



AVERTISSEMENT : Ce produit peut vous exposer à des produits chimiques, dont le plomb, qui sont reconnus par l'État de Californie comme provoquant le cancer, des malformations congénitales ou d'autres problèmes de reproduction. Pour plus d'information, visitez www.P65Warnings.ca.gov

Fonctionnement sans surveillance

La fonction de minuterie de fermeture (TTC), l'application myQ® et le moniteur de porte de garage et de portail myQ® sont des exemples de fermeture sans surveillance et doivent être utilisés UNIQUEMENT avec des portes sectionnelles. Tout dispositif ou fonction permettant à la porte de se fermer sans être dans le champ de vision de cette dernière est considéré comme une fermeture sans surveillance. La fonction de minuterie de fermeture (TTC), l'application myQ® et tout autre appareil myQ® doivent être utilisés UNIQUEMENT avec des portes sectionnelles.

Préparation

Avant de vous connecter avec votre téléphone intelligent

Surveillez et contrôlez votre porte de garage de n'importe où à l'aide de l'application myQ®.

Vous aurez besoin :

- Un téléphone intelligent, une tablette ou un ordinateur portable compatible avec le Wi-Fi®
- Connexion Internet à large bande
- Signal Wi-Fi® dans le garage (**2,4 Ghz, 802, 11b/g/n requis**)
- Mot de passe pour votre réseau domestique (le compte principal du routeur; pas le réseau invité)

TESTEZ LA FORCE DU SIGNAL THE WI-FI®

Assurez-vous que votre appareil mobile est connecté à votre réseau Wi-Fi®. Tenez votre appareil mobile à l'endroit où votre ouvre-porte de garage sera installé et vérifiez la force du signal Wi-Fi®.



Vérifiez la force du signal. Si vous voyez ce qui suit :



Le signal Wi-Fi est fort.
L'ouvre-porte de garage se connectera à votre réseau Wi-Fi.

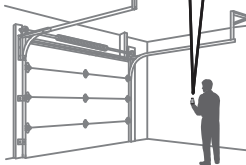


Le signal Wi-Fi est faible.
L'ouvre-porte de garage peut se connecter à votre réseau Wi-Fi. Sinon, essayez une des options ci-dessous pour améliorer le signal Wi-Fi :



Aucun signal Wi-Fi.
L'ouvre-porte de garage ne pourra pas se connecter à votre réseau Wi-Fi. Essayez une des options ci-dessous pour améliorer le signal Wi-Fi :

- Rapprochez votre routeur de l'ouvre-porte de garage pour minimiser les interférences avec les murs et autres objets
- Achetez un prolongateur de portée Wi-Fi



Visitez support.chamberlaingroup.com pour plus de détails.

Pour obtenir les spécifications des routeurs compatibles et de l'aide, visitez WiFiHelp.LiftMaster.com.

Voir la page 39 pour connecter l'ouvre-porte de garage à un appareil mobile.

Vérifiez la porte

! AVERTISSEMENT

Pour éviter d'éventuelles BLESSURES GRAVES voire MORTELLES :

- Appelez TOUJOURS un technicien qualifié en systèmes de porte si la porte de garage se coince, colle ou est déséquilibrée. Une porte de garage déséquilibrée risque de ne PAS s'inverser lorsque cela est nécessaire.
- N'essayez JAMAIS de desserrer, déplacer ou ajuster la porte de garage, les ressorts de porte, les câbles, les poulies, les supports ou leur matériel, qui sont TOUS sous une tension EXTRÊME.
- Désactivez TOUS les verrous et retirez TOUTES les cordes connectées à la porte de garage AVANT d'installer et d'utiliser l'ouvre-porte pour éviter tout enchevêtrement.
- Ne l'installez PAS sur une porte monobloc si vous utilisez des dispositifs ou des fonctionnalités permettant une fermeture sans surveillance. Les dispositifs et fonctionnalités sans surveillance doivent être utilisés UNIQUEMENT avec des portes sectionnelles.

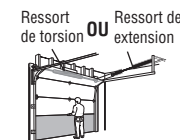
! ATTENTION

Pour éviter d'endommager la porte de garage et l'ouvre-porte :

- Désactivez TOUJOURS les verrous AVANT d'installer et d'utiliser l'ouvre-porte.
- Utilisez UNIQUEMENT l'ouvre-porte de garage sur 120 V, 60 Hz pour éviter les dysfonctionnements et les dommages.

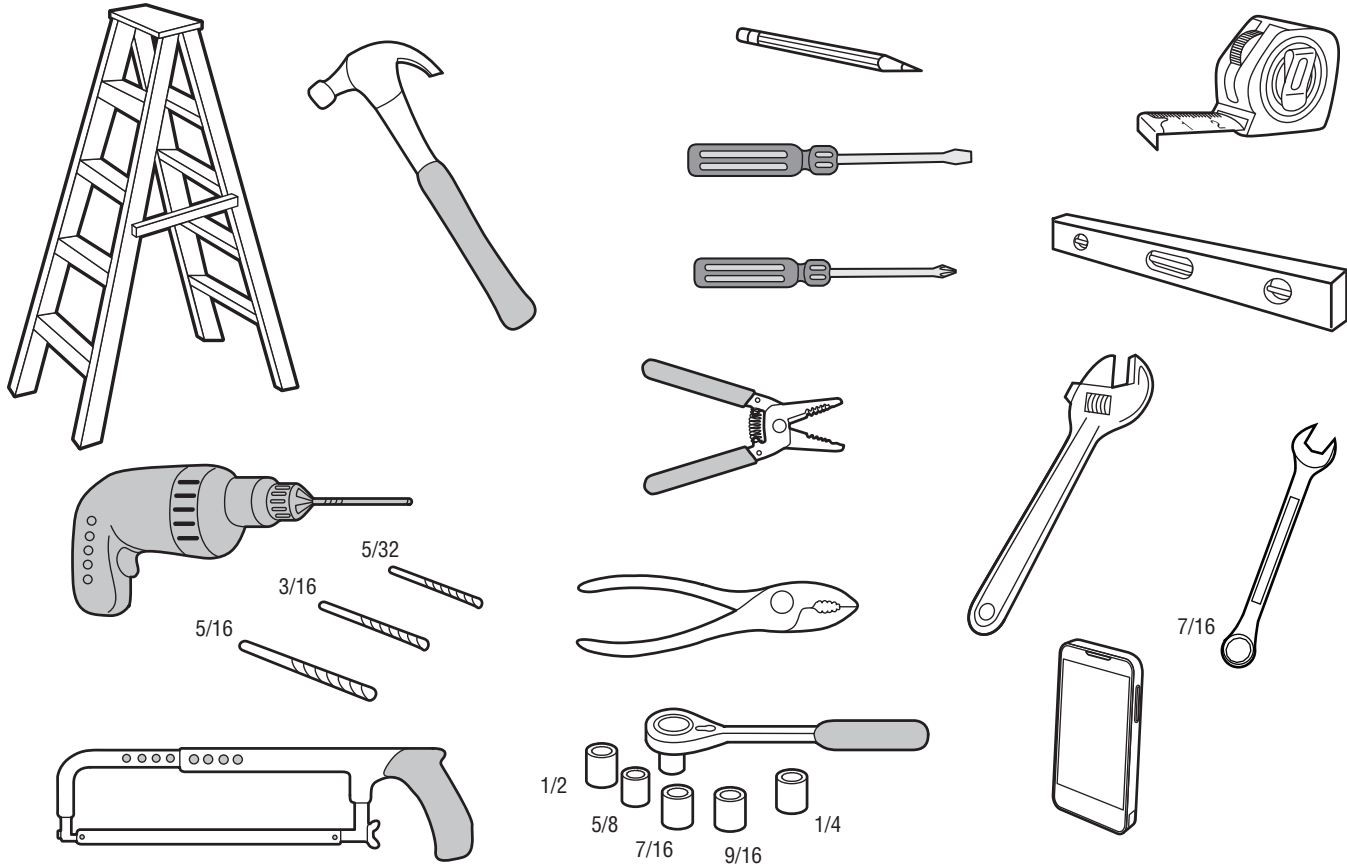
Avant de commencer :

1. Désactivez les verrous et retirez toutes les cordes connectées à la porte de garage.
2. Soulevez la porte à mi-hauteur. Libérez la porte. Si elle est équilibrée, elle doit rester en place, entièrement soutenue par ses ressorts.
3. Soulevez et abaissez la porte pour vérifier qu'elle ne se coince pas ou ne colle pas. Si votre porte se coince, colle ou est déséquilibrée, appelez un technicien qualifié en systèmes de porte.
4. Vérifiez le joint au bas de la porte. Tout écart entre le sol et le bas de la porte ne doit pas dépasser 6 mm (1/4 po). Sinon, le système d'inversion de sécurité risque de ne pas fonctionner correctement.
5. L'ouvre-porte doit être installé au-dessus du centre de la porte. S'il y a un ressort de torsion ou une plaque d'appui centrale sur le chemin du support de linteau, il peut être installé à moins de 1,2 m (4 pi) à gauche ou à droite du centre de la porte. Voir la page 12.



Préparation

Outils nécessaires



Préparation

Inventaire du carton : Modèles 8160W, 8160WB, 8164W et 8165W

Les accessoires varient selon le modèle de l'ouvre-porte de garage acheté. Selon votre modèle précis, d'autres accessoires pourraient être compris avec votre ouvre-porte de garage. Les instructions relatives aux accessoires ne sont pas incluses dans ce manuel, car elles sont jointes à ces derniers. **Les images de ce manuel sont fournies à titre indicatif et il est possible que votre produit ait une apparence différente.**

Pour le rail carré, voir les instructions incluses avec le kit de rail modèle LMSSRKIT.

- A. Support de linteau
- B. Poulie et support
- C. Support de porte
- D. Bras de porte incurvé
- E. Bras de porte droit
- F. Chariot
- G. Corde et poignée de déclenchement d'urgence
- H. Rail
- I. Ouvre-porte de garage
- J. Couvercle de pignon
- K. Chaîne
- L. Commande de porte
- M. Fil blanc et rouge/blanc
- N. Protector System®
Capteurs d'inversion de sécurité avec fils blanc et blanc/noir attachés : Capteur d'envoi (1) capteur de réception (1) et supports de capteur de sécurité (2)
- O. Étiquettes de sécurité et documentation
- P. Graisse pour rail
- Q. Batterie de secours (modèle 8160WB uniquement)

ACCESSOIRES SECURITY+ 2.0®

882LMW

Commande de porte multifonction
Modèles : 8160W, 8160WB, 8165W



883LMW

Commande de porte à bouton-poussoir
Modèles : 8164W



893LM

Télécommande
Modèles : 8160W, 8160WB, 8165W



891LM

Télécommande
Modèle : 8164W



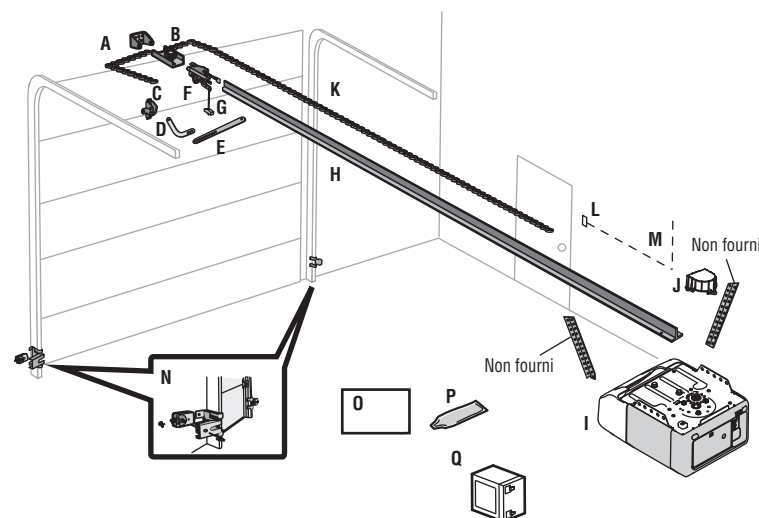
MATÉRIEL

Installation

- Boulon à six pans 5/16 po - 18 x 7/8 po (4)
- Tirefond 5/16 po - 9 x 1-5/8 po (2)
- Axe à épaulement 5/16 po x 2-3/4 po (1)
- Axe à épaulement 5/16 po x 1-1/4 po (1)
- Axe à épaulement 5/16 po x 1-1/1 po (1)
- Écrou 5/16 po - 18 (4)
- Rondelle d'arrêt 5/16 po - (4)
- Vis autotaraudeuse 1/4 po - 14 x 5/8 po (2)
- Anneau de fixation (3)
- Boulon de carrosserie 1/4 po - 20 x 1/2 po (2)
- Écrou à oreilles 1/4 po - 20 (2)

Matériel de commande de porte

- Vis 6AB x 1 po (2)
- Vis 6 - 32 x 1 po (2)
- Chevilles pour cloisons sèches (2)



Préparation

Inventaire du carton : Modèle 8155W

Les accessoires varient selon le modèle de l'ouvre-porte de garage acheté. Selon votre modèle précis, d'autres accessoires pourraient être compris avec votre ouvre-porte de garage. Les instructions relatives aux accessoires ne sont pas incluses dans ce manuel, car elles sont jointes à ces derniers. **Les images de ce manuel sont fournies à titre indicatif et il est possible que votre produit ait une apparence différente.**

- A. Support de linteau
- B. Poulie et support
- C. Support de porte
- D. Bras de porte incurvé
- E. Bras de porte droit
- F. Chariot
- G. Corde et poignée de déclenchement d'urgence
- H. Rail
- I. Ouvre-porte de garage
- J. Couvercle du pignon et vis à six pans
- K. Courroie
- L. Commande de porte
- M. Fil blanc et rouge/blanc
- N. Protector System®
Capteurs d'inversion de sécurité avec fils blanc et blanc/noir attachés : Capteur d'envoi (1) capteur de réception (1) et supports de capteur de sécurité (2)
- O. Étiquettes de sécurité et documentation
- P. Graisse pour rail

ACCESSOIRES SECURITY+ 2.0®

882LMW

Commande de porte multifonction



893LM

Télécommande

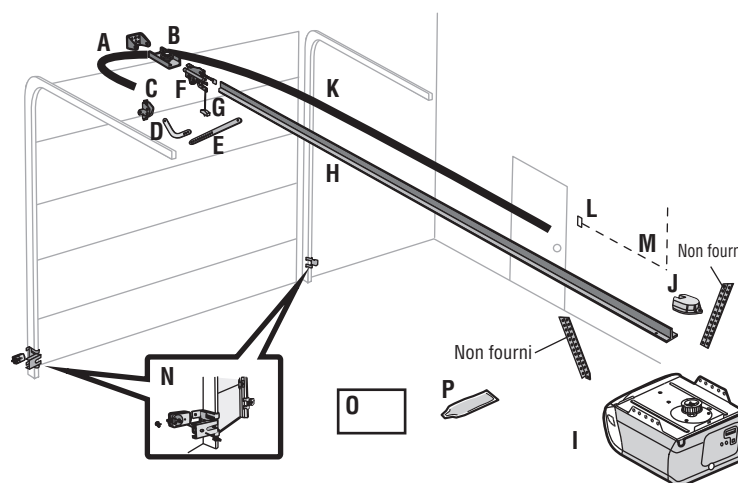


MATÉRIEL D'INSTALLATION

- | | |
|---|--|
| Boulon à six pans 5/16 po - 18 x 7/8 po (4) | Rondelle d'arrêt 5/16 po - (4) |
| Tirefond 5/16 po - 9 x 1-5/8 po (2) | Vis autotaraudeuse 1/4 po - 14 x 5/8 po (2) |
| Axe à épaulement 5/16 po x 2-3/4 po (1) | Anneau de fixation (3) |
| Axe à épaulement 5/16 po x 1-1/4 po (1) | Boulon de carrosserie 1/4 po - 20 x 1/2 po (2) |
| Axe à épaulement 5/16 po x 1-1/1 po (1) | Écrou à oreilles 1/4 po - 20 (2) |
| Écrou 5/16 po - 18 (4) | |

MATÉRIEL DE COMMANDE DE PORTE

- Vis 6AB x 1 po (2)
- Vis 6 - 32 x 1 po (2)
- Chevilles pour cloisons sèches (2)



Assemblage

1 Fixer le rail à l'ouvre-porte de garage

MODÈLES 8160W, 8160WB, 8164W* ET 8165W

* Peut être installé avec un rail en T ou un rail carré. Pour les étapes de montage du rail carré, voir les instructions fournies avec le kit de rail modèle LMSSRKIT. Ceci terminé, retournez à ce manuel pour les instructions d'installation.

AVERTISSEMENT

Pour éviter d'éventuelles BLESSURES GRAVES au doigt causées par l'ouvre-porte de garage en mouvement :

- Gardez TOUJOURS la main à l'écart du pignon lorsque vous utilisez l'ouvre-porte.
- Fixez solidement le couvercle du pignon AVANT toute utilisation.

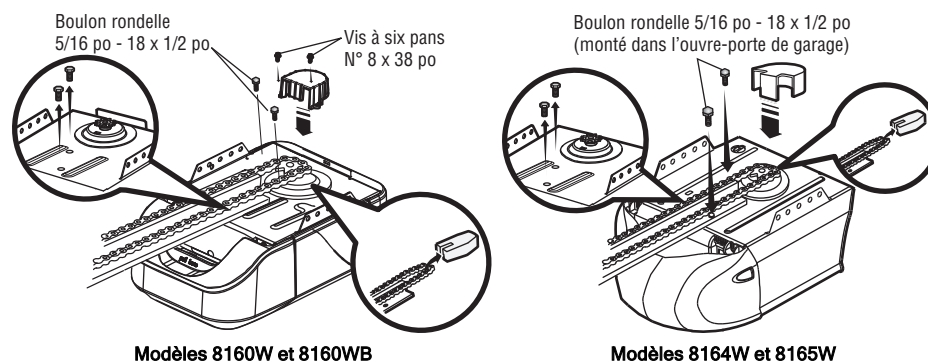
ATTENTION

Pour éviter de GRAVES dommages à l'ouvre-porte de garage, utilisez UNIQUEMENT les boulons/attaches montés sur le dessus de l'ouvre-porte.

REMARQUE : Utilisez UNIQUEMENT les boulons retirés de l'opérateur de la porte.

Placez l'ouvre-porte de garage sur le matériel d'emballage pour éviter les rayures.

1. Retirez les deux boulons du haut de l'ouvre-porte de garage.
2. Alignez le rail et le polystyrène sur le pignon. Coupez le ruban adhésif du rail, de la chaîne et du polystyrène.
3. Fixez le rail avec les boulons retirés précédemment.
4. Positionnez la chaîne autour du pignon de l'ouvre-porte de garage.
5. **Modèles 8160WMX et 8160WBMX :** Attachez le couvercle du pignon sur le pignon de l'ouvre-porte de garage et fixez-le avec des vis hexagonales.
Modèles 8164WMX et 8165WMX : Installez le couvercle de pignon en pressant les côtés et en insérant les languettes dans les fentes de l'ouvre-porte de garage.



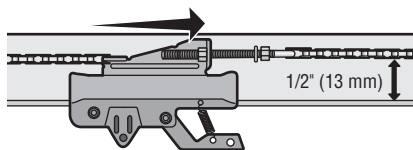
Assemblage

2 Serrer la chaîne

1. Desserrez l'écrou intérieur et la rondelle de blocage sur l'arbre fileté du chariot.
2. Serrez l'écrou extérieur jusqu'à ce que la chaîne soit à un demi-pouce au-dessus de la base du rail au point médian de celui-ci.
3. Resserrez l'écrou intérieur.

Lorsque la porte est fermée, il est normal de voir un certain relâchement de la chaîne. Aucun réajustement n'est nécessaire.

Le pignon peut faire du bruit si la chaîne n'est pas suffisamment tendue. À l'avenir, lorsque vous effectuez un entretien, tirez **TOUJOURS** sur la poignée de déclenchement d'urgence pour déconnecter le chariot avant d'ajuster la chaîne.



Assemblage

1 Fixer le rail à l'ouvre-porte de garage

MODÈLE 8155W

⚠️ AVERTISSEMENT

Pour éviter d'éventuelles BLESSURES GRAVES au doigt causées par l'ouvre-porte de garage en mouvement :

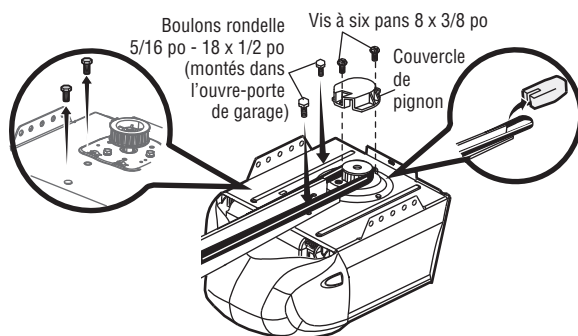
- Gardez TOUJOURS la main à l'écart du pignon lorsque vous utilisez l'ouvre-porte.
- Fixez solidement le couvercle du pignon AVANT toute utilisation.

⚠️ ATTENTION

Pour éviter de GRAVES dommages à l'ouvre-porte de garage, utilisez UNIQUEMENT les boulons/attaches montés sur le dessus de l'ouvre-porte.

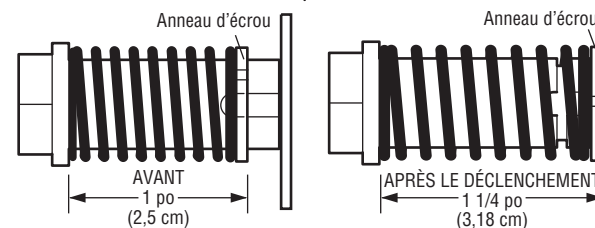
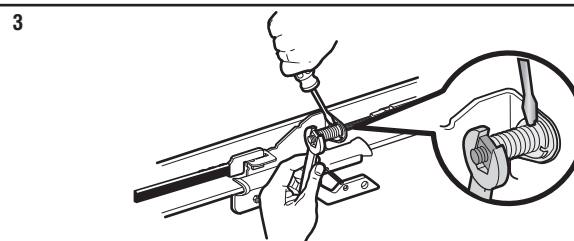
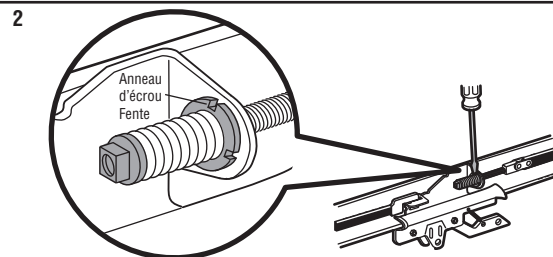
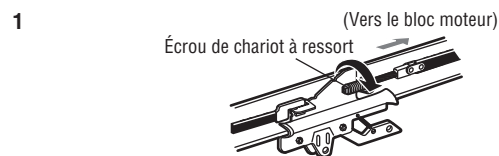
REMARQUE : Utilisez UNIQUEMENT les boulons que vous avez retirés de l'ouvre-porte de garage. Placez l'ouvre-porte de garage sur le matériel d'emballage pour éviter les rayures.

1. Retirez les deux boulons du haut de l'ouvre-porte de garage.
2. Alignez le rail et le polystyrène sur le pignon. Coupez le ruban adhésif du rail, de la courroie et du polystyrène.
3. Fixez le rail avec les boulons retirés précédemment.
4. Positionnez la chaîne autour du pignon de l'ouvre-porte de garage.
5. Attachez le couvercle du pignon sur le pignon de l'ouvre-porte de garage et fixez-le avec des vis hexagonales.



2 Serrer la courroie

1. Vissez à la main l'écrou du chariot à ressort sur l'arbre fileté jusqu'à ce qu'il soit bien serré (à la main) contre le chariot. N'utilisez aucun outil.
2. Insérez la pointe d'un tournevis à tête plate dans l'une des fentes de la bague d'écrou et fixez-la fermement contre le chariot.
3. Serrez l'écrou du chariot à ressort, avec une clé à molette ou une clé plate de 7/16 po, d'environ un quart de tour jusqu'à ce que le ressort se libère et enclenche la bague d'écrou contre le chariot. Ceci règle le ressort sur une tension optimale de la courroie.



INSTRUCTIONS D'INSTALLATION IMPORTANTES



Pour réduire le risque de BLESSURES GRAVES voire MORTELLES :

1. LISEZ ET SUIVEZ TOUS LES AVERTISSEMENTS ET TOUTES LES INSTRUCTIONS D'INSTALLATION.
2. Installez l'ouvre-porte de garage **UNIQUEMENT** sur une porte de garage correctement équilibrée et lubrifiée. Une porte mal équilibrée risque de ne PAS s'inverser lorsque cela est nécessaire et pourrait entraîner des BLESSURES GRAVES voir MORTELLES.
3. TOUTES les réparations de câbles, ressorts et autre matériel **DOIVENT** être effectuées par un technicien en systèmes de portes qualifié **AVANT** l'installation de l'ouvre-porte.
4. Désactivez TOUS les verrous et retirez TOUTES les cordes connectées à la porte de garage **AVANT** d'installer l'ouvre-porte pour éviter qu'elles s'enchevêtrent.
5. Dans la mesure du possible, installez l'ouvre-porte à une hauteur minimum de 2,13 m (7 pi) du sol.
6. Montez le déclenchement d'urgence à portée de main, mais à une hauteur minimum de 1,83 m (6 pi) du sol et en évitant tout contact avec les véhicules afin d'éviter un déclenchement accidentel.
7. Ne branchez **JAMAIS** l'ouvre-porte de garage à une source d'alimentation avant d'y être invité.
8. **NE** portez **JAMAIS** de montres, bagues ou vêtements amples en installant ou entretenant l'ouvre-porte. Ils pourraient être happés dans les mécanismes de porte de garage ou d'ouvre-porte.
9. Installez la commande de porte de garage murale :
 - en vue de la porte du garage.
 - hors de portée des jeunes enfants à une hauteur minimale de 1,5 m (5 pi) au-dessus du sol, des paliers, des marches ou de toute autre surface de marche adjacente.
 - loin de TOUTES les pièces mobiles de la porte.
10. Placez une étiquette d'avertissement de piégeage sur le mur, à côté de la commande de porte de garage, dans un endroit bien en vue.
11. Placez l'étiquette de test d'inversion de sécurité/déclenchement d'urgence bien en vue à l'intérieur de la porte de garage.
12. Une fois l'installation terminée, testez le système d'inversion de sécurité. La porte **DOIT** s'inverser au contact d'un objet de 3,8 cm (1-1/2 po) de haut (ou un 2x4 posé à plat) sur le sol.
13. Pour éviter des BLESSURES GRAVES voire MORTELLES par électrocution, débranchez TOUTE l'alimentation électrique **AVANT** d'effectuer tout entretien ou toute maintenance.
14. Ne l'installez PAS sur une porte monobloc si vous utilisez des dispositifs ou des fonctionnalités permettant une fermeture sans surveillance. Les dispositifs et fonctionnalités sans surveillance doivent être utilisés **UNIQUEMENT** avec des portes sectionnelles.
15. CONSERVER CES INSTRUCTIONS.

Installation

1 Déterminer l'emplacement du support de linteau

AVERTISSEMENT

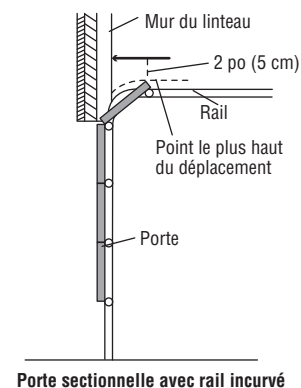
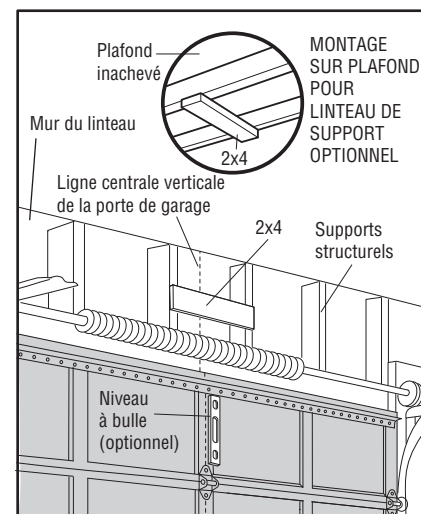
Pour éviter d'éventuelles BLESSURES GRAVES voire MORTELLES :

- Le support de linteau DOIT être fixé RIGIDEMENT au support de structure mur du linteau ou du plafond, car sinon la porte de garage risquerait de NE PAS s'inverser si nécessaire. N'installez PAS le support de linteau sur une cloison sèche.
- Des ancrages à béton DOIVENT être utilisés si le support de linteau est monté ou 2x4 dans la maçonnerie.
- N'essayez JAMAIS de desserrer, déplacer ou ajuster la porte de garage, les ressorts, les câbles, les poulies, les supports ou leur matériel, qui sont TOUS sous une tension EXTRÊME.
- Appelez TOUJOURS un technicien qualifié en systèmes de porte si la porte de garage se coince, colle ou est déséquilibrée. Une porte de garage déséquilibrée risque de NE PAS s'inverser lorsque cela est nécessaire.
- N'activez PAS la minuterie de fermeture si vous utilisez des portes de garage monoblocs ou battantes. Activez-la UNIQUEMENT pour faire fonctionner une porte sectionnelle.

Fermez la porte et marquez la ligne médiane verticale intérieure de la porte de garage. Prolongez la ligne sur le mur du linteau au-dessus de la porte. Vous pouvez fixer le support de linteau à moins de 1,22 m (4 pieds) de la gauche ou de la droite du centre de la porte uniquement si un ressort de torsion ou une plaque d'appui centrale gêne; ou vous pouvez le fixer au plafond lorsque le dégagement est minimal. (Il peut être monté au mur à l'envers si nécessaire, pour gagner environ 1 cm (1/2 po). Si vous devez installer le support de linteau sur un 2x4 (au mur ou au plafond), utilisez des tirefonds (non fournis) pour fixer solidement le 2x4 aux supports de structure.

Ouvrez votre porte au point le plus élevé du déplacement comme indiqué. Tracez une ligne horizontale sécante sur le mur du linteau à 5 cm (2 po) au-dessus du point le plus haut. La hauteur fournira le dégagement de déplacement pour le bord du dessus de la porte.

REMARQUE : Si le total de pouces dépasse la hauteur disponible de votre garage, utilisez le plus de hauteur possible ou consultez la page 12 pour les installations au plafond.



Installation

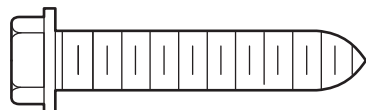
2 Installer le support de linteau

Vous pouvez fixer le support de linteau soit au mur au-dessus de la porte de garage, soit au plafond. Suivez les instructions qui conviendront le mieux à vos besoins particuliers.

N'installez pas le support de linteau sur une cloison sèche. Si vous effectuez l'installation dans de la maçonnerie, utilisez des chevilles à béton (non fournies).

MATÉRIEL

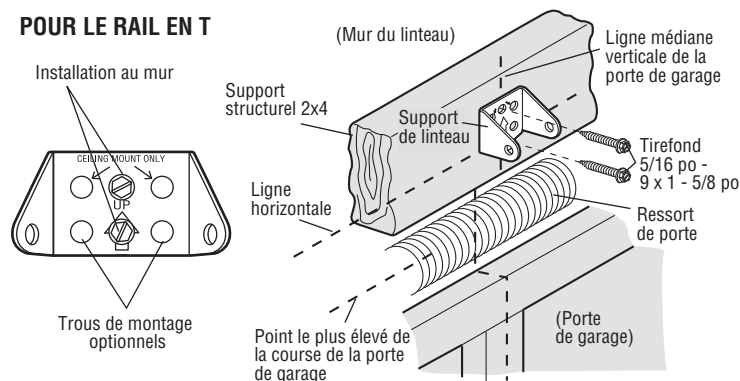
Tirefond 5/16 po - 9 x 1-5/8 po



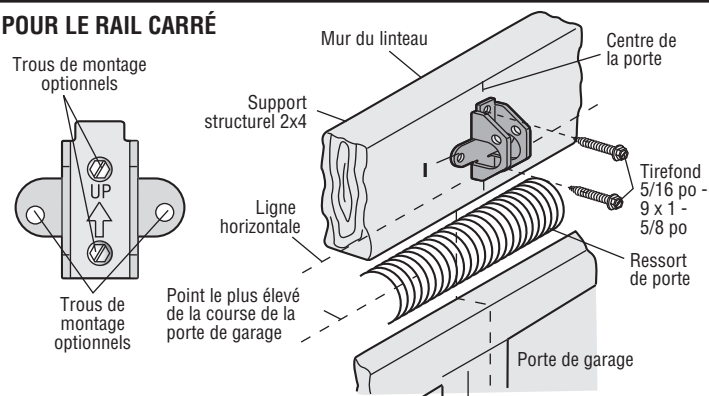
OPTION A - INSTALLATION MURALE

1. Centrez le support placé sur la ligne médiane verticale sur le bord inférieur du support placé sur la ligne horizontale tel qu'indiqué (la flèche orientée vers le plafond).
2. Marquez le jeu vertical de trous du support (n'utilisez pas les trous prévus pour le montage au plafond). Percez des avant-trous de 3/16 po et fixez solidement le support à un support structurel avec les tirefonds.

POUR LE RAIL EN T



POUR LE RAIL CARRÉ

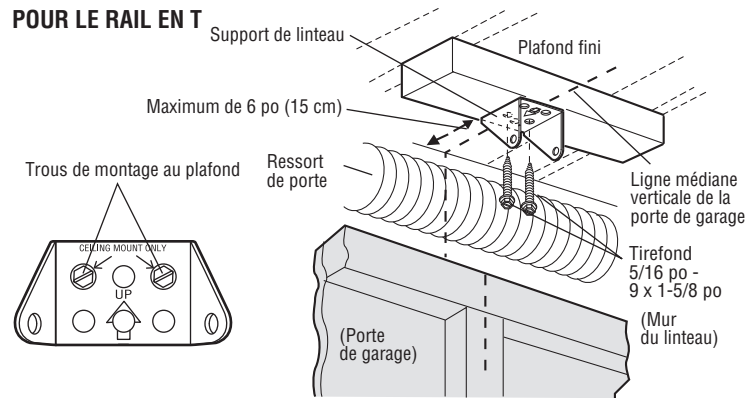


OPTION B - INSTALLATION AU PLAFOND

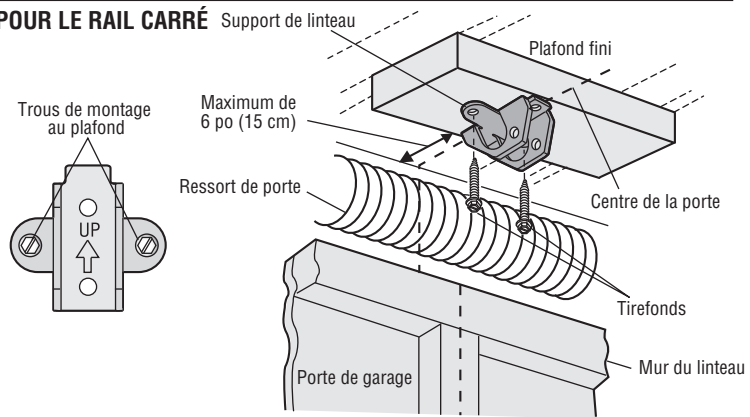
1. Étendez la ligne médiane verticale sur le plafond comme indiqué.
2. Centrez le support sur la marque verticale, à un espacement maximum de 15 cm (6 po) du mur. Vérifiez que la flèche est dirigée vers le mur. Le support peut être monté au ras du plafond lorsque le dégagement est minimal.
3. Marquez les trous latéraux. Percez des avant-trous de 3/16 po et fixez solidement le support à un support structurel avec la quincaillerie fournie.

Installation

POUR LE RAIL EN T



POUR LE RAIL CARRÉ



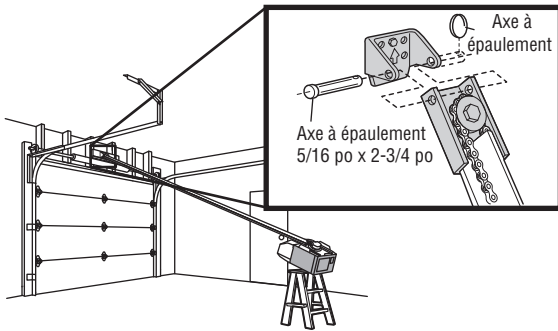
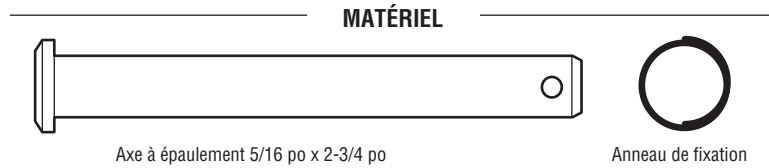
Installation

3 Fixer le rail au support de linteau

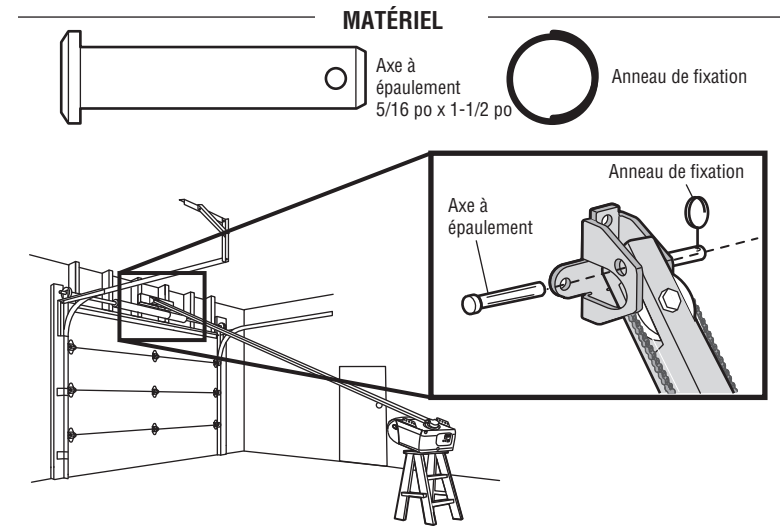
1. Alignez le rail avec le support de linteau. Insérez l'axe à épaulement dans les trous du support du linteau et le rail. Fixez avec l'anneau de fixation.

REMARQUE : Utilisez le matériel d'emballage comme base protectrice pour l'ouvre-porte de garage.

POUR LE RAIL EN T



POUR LE RAIL CARRÉ



Installation

4 Positionner l'ouvre-porte de garage

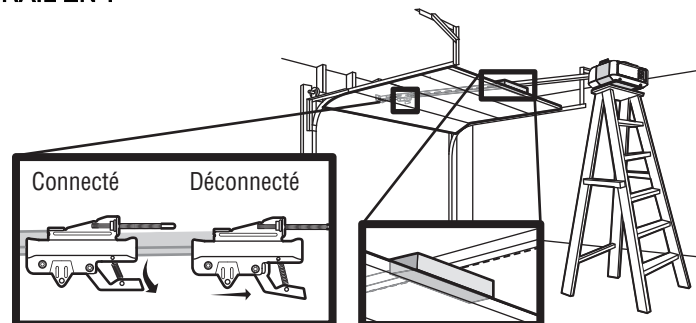
ATTENTION

Pour éviter d'endommager la porte de garage, placez le rail de l'ouvre-porte de garage sur un 2x4 placé sur la partie supérieure de la porte.

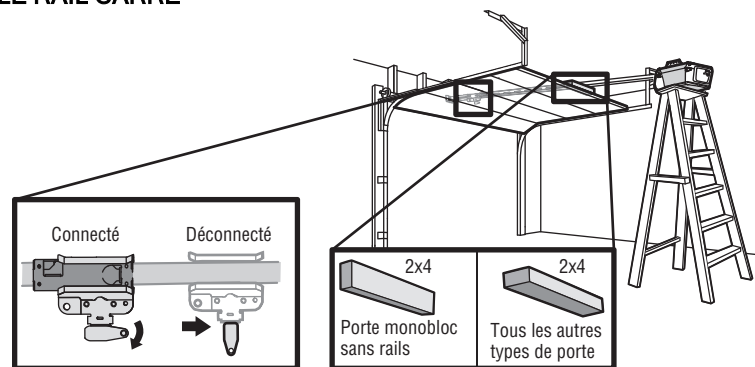
1. Retirez le matériel d'emballage et soulevez l'ouvre-porte de garage sur une échelle.
2. Ouvrez complètement la porte et placez un 2x4 (à plat) sous le rail.

Un 2x4 est idéal pour régler la distance entre le rail et la porte. Si l'échelle n'est pas assez haute, vous aurez besoin d'aide à ce stade. Si la porte heurte le chariot lorsqu'il est relevé, tirez le bras de déclenchement du chariot vers le bas pour déconnecter les chariots intérieur et extérieur. Faites glisser le chariot extérieur vers l'ouvre-porte de garage. Le chariot peut rester déconnecté jusqu'à ce que vous soyez invité à le connecter.

POUR LE RAIL EN T



POUR LE RAIL CARRÉ



Installation

5 Accrocher l'ouvre-porte de garage

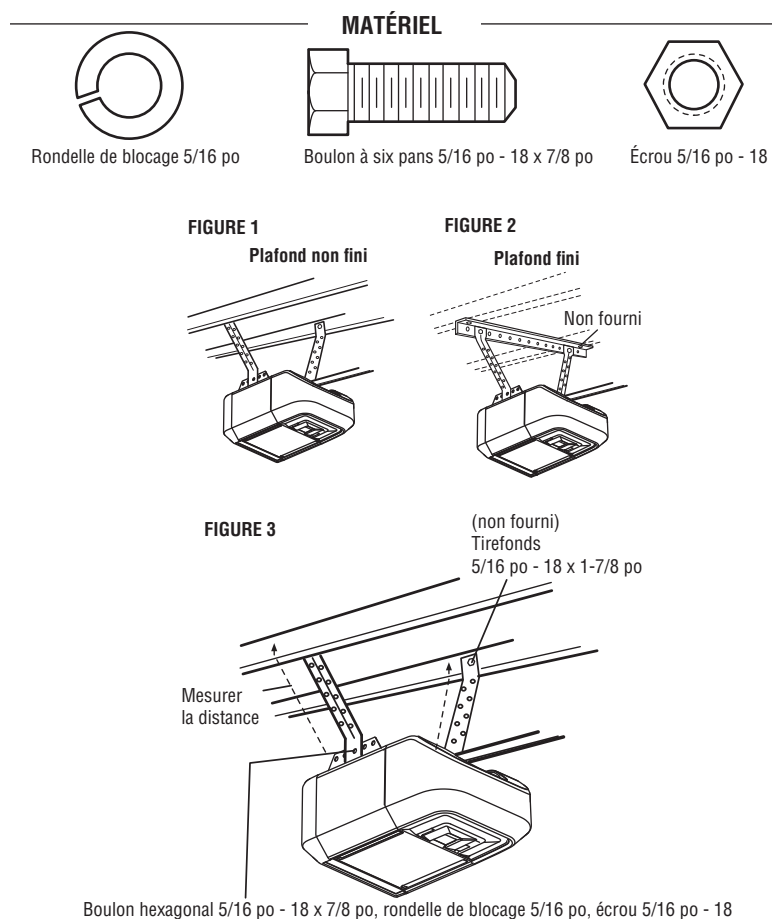
AVERTISSEMENT

Pour éviter d'éventuelles BLESSURES GRAVES causées par la chute d'un ouvre-porte de garage, fixez-le SOLIDEMENT aux supports de la structure du garage. Des ancrages à béton DOIVENT être utilisés si vous installez TOUT support dans la maçonnerie.

La suspension de l'ouvre-porte de garage varie en fonction de votre garage. Voici deux installations représentatives. La vôtre peut être différente. Les supports de suspension pourraient être à angle (Figure 1) pour fournir un support rigide. Sur les plafonds finis (Figure 2), avant d'installer l'ouvre-porte, fixez un support de métal solide sur des supports de structure. Ce support ainsi que le matériel de fixation ne sont pas fournis.

1. Prenez la mesure de la distance de chaque côté du bloc moteur au support de structure.
2. Coupez les deux morceaux du support de suspension aux longueurs requises.
3. Percez des trous pilotes de 3/16 po dans les supports structurels.
4. Fixez un bout de chaque support à un support avec des tirefonds de 5/16 po-18 x 1-7/8 po (non fournis).
5. Fixez l'ouvre-porte au support de suspension avec des boulons à six pans 5/16 po-18 x 7/8 po, des rondelles d'arrêt et des écrous.
6. Vérifiez que le rail est centré au-dessus de la porte (ou aligné avec le support du linteau si le support n'est pas centré au-dessus de la porte).
7. Retirez le 2x4. Faites fonctionner la porte manuellement. Si la porte heurte le rail, soulevez le support de linteau.

REMARQUE : NE branchez PAS l'alimentation de l'ouvre-porte à ce moment-là.



Installation

6 Installation de l'ampoule

ATTENTION

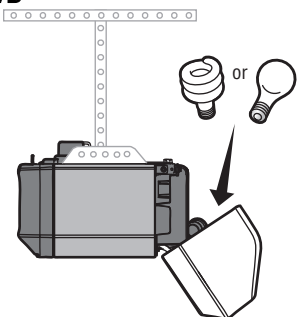
Pour éviter toute SURCHAUFFE éventuelle du panneau d'extrémité ou de la douille d'éclairage :

- Utilisez **UNIQUEMENT** des ampoules de type A19.
- N'utilisez **PAS** d'ampoules à incandescence de plus de 100 W.
- N'utilisez **PAS** d'ampoules fluorescentes compactes de plus de 26 W (100 W ou équivalent).
- N'utilisez **PAS** d'ampoules halogènes.
- N'utilisez **PAS** d'ampoules à col court ou de forme spéciale.

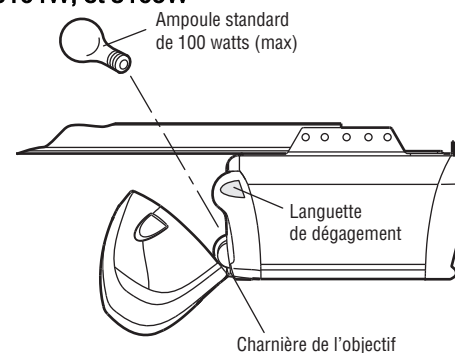
Les ampoules DEL peuvent causer des interférences radio avec la télécommande. Utilisez **UNIQUEMENT** les ampoules à DEL recommandées ici : chamberlain.com/bulb.

1. Tirez la lentille vers le bas.
2. Insérez l'ampoule.
3. Fermez la lentille de la lampe.

MODÈLES 8160W ET 8160WB



MODÈLES 8155W, 8164W, et 8165W



Installation

7 Fixer la corde et la poignée de déclenchement d'urgence

AVERTISSEMENT

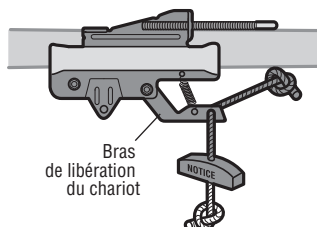
Pour éviter d'éventuelles BLESSURES GRAVES voire MORTELLES causées par une porte de garage qui tombe :

- Dans la mesure du possible, utilisez UNIQUEMENT la poignée de déclenchement d'urgence pour désengager le chariot lorsque la porte du garage est FERMÉE. Des ressorts faibles ou cassés, ou une porte déséquilibrée peuvent entraîner une chute rapide et/ou inattendue d'une porte ouverte.
- N'utilisez JAMAIS la poignée de déclenchement d'urgence avant que toutes les personnes et les obstacles aient été retirés du trajet qu'elle suivra.
- N'utilisez JAMAIS la poignée pour ouvrir ou fermer la porte. Si le nœud de la corde se défait, vous risquez de tomber.

1. Insérez une extrémité de la corde de déclenchement d'urgence à travers la poignée. Vérifiez que « NOTICE » (AVIS) est à l'endroit. Fixez avec un nœud simple à un minimum de 2,5 cm (1 po) de l'extrémité de la corde pour éviter qu'elle glisse.
2. Insérez l'autre extrémité de la corde de déclenchement d'urgence dans le trou du bras de déclenchement du chariot. Montez le déclenchement d'urgence à portée de main, mais à au moins 1,83 m (6 pi) au-dessus du sol, en évitant tout contact avec les véhicules pour éviter un déclenchement accidentel, puis fixez-le avec un nœud plat.

REMARQUE : Si vous devez couper la corde de déclenchement d'urgence, arrêtez l'extrémité coupée avec une allumette ou un briquet pour éviter qu'elle ne s'effiloche. Vérifiez que la corde et la poignée de déclenchement d'urgence se trouvent au-dessus du toit de tous les véhicules pour éviter tout enchevêtrement éventuel.

POUR LE RAIL EN T



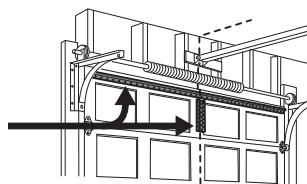
Installation

8 Installer le support de porte

⚠ ATTENTION

Les portes de garage en fibre de verre, en aluminium ou en acier léger **DEVRONT** être renforcées **AVANT** l'installation du support de porte. Contactez le fabricant de la porte de garage ou le revendeur qui s'est chargé de l'installation pour obtenir des instructions sur un renfort d'ouvre-porte ou un kit de renfort. Le fait de ne pas renforcer la section supérieure tel que requis par le fabricant de la porte peut annuler la garantie de cette dernière.

Un renfort horizontal et vertical est nécessaire pour les portes de garage légères (fibre de verre, aluminium, acier, portes avec panneau de verre, etc.) (non fourni). Une entretoise de renfort horizontale doit être suffisamment longue pour être fixée à deux ou trois supports verticaux. Un renfort vertical doit couvrir la hauteur du panneau supérieur. Contactez le fabricant de la porte de garage ou le revendeur qui s'est chargé de l'installation pour obtenir des instructions sur un renfort d'ouvre-porte ou un kit de renfort.



REMARQUE : De nombreux kits de renfort de porte permettent de fixer directement l'axe à épaulement et le bras de porte. Dans ce cas, vous n'aurez pas besoin du support de porte; passez directement à l'étape suivante.

PORTE SECTIONNELLE

1. Centrez le support de porte sur la ligne médiane verticale que vous avez tracée auparavant et utilisée pour installer le support de linteau. Notez que le placement correct est vers le HAUT, tel qu'indiqué à l'intérieur du support.
2. Positionnez le bord supérieur du support entre 5 et 10 cm (2 et 4 po) sous le bord supérieur de la porte OU directement sous tout support de structure du dessus de la porte.
3. Marquez des trous et percez-les, puis procédez à l'installation comme suit, selon la construction de votre porte :

Portes métalliques ou légères utilisant une équerre verticale dans le support de panneau de porte et le support de porte :

- Percez des trous de fixation de 3/16 po. Fixez le support de porte à l'aide des vis autotaraudeuses. (Figure 1)
- Dans l'alternative, utilisez deux boulons de 5/16 po - 18 x 2 po, des rondelles d'arrêt et des écrous (non fournis). (Figure 2)

Portes métalliques, isolées ou légères renforcées en usine :

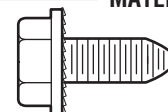
- Percez des trous de fixation de 3/16 po. Fixez le support de porte à l'aide des vis autotaraudeuses. (Figure 3)

Portes en bois :

- Utilisez les trous du support de porte haut et bas ou côte à côte. Percez des trous de 5/16 po à travers la porte et fixez le support avec des boulons ordinaires 5/16 po-18 x 2 po, des rondelles d'arrêt et des écrous (non fournis). (Figure 4)

REMARQUE : Les vis autotaraudeuses 1/4 po - 14 x 5/8 po ne sont pas destinées à être utilisées sur des portes en bois.

MATÉRIEL



Vis autotaraudeuse
1/4 po - 14 x 5/8 po

FIGURE 1

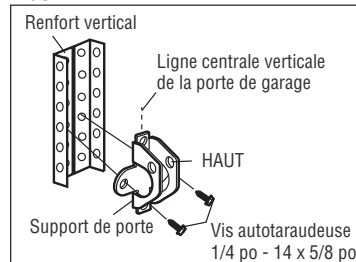


FIGURE 2

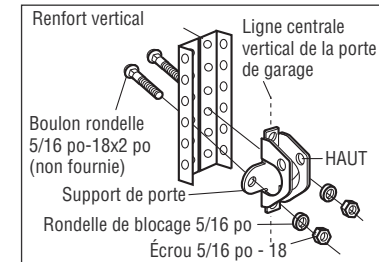


FIGURE 3

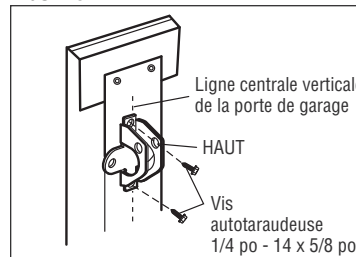
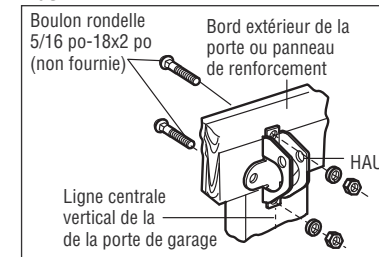


FIGURE 4



Installation

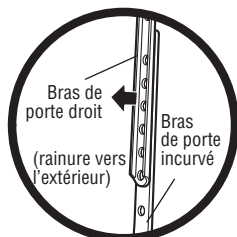
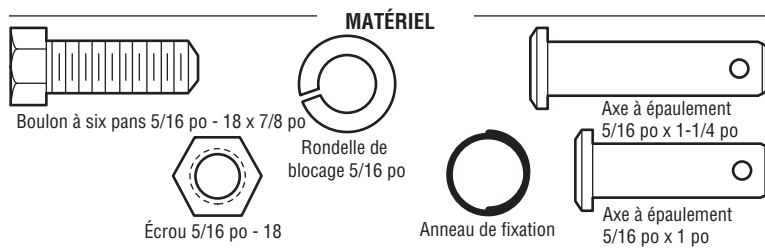
9 Connecter le bras de porte au chariot

IMPORTANT : La rainure du bras de porte droit **DOIT** faire face à l'opposé du bras de porte incurvé.

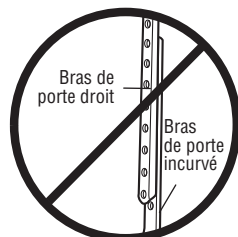
1. **Rail en T :** Fermez la porte. Déconnectez le chariot en tirant sur la poignée de déclenchement d'urgence. Glissez le chariot extérieur vers l'arrière (loin de la porte) d'environ 5 cm (2 po).
Rail carré : Fermez la porte. Déconnectez le chariot en tirant sur la poignée de déclenchement d'urgence.
2. Fixez le bras droit de la porte au chariot extérieur à l'aide de l'axe à épaulement. Fixez-le avec l'anneau de fixation.
3. Fixez le bras de porte incurvé au support de porte à l'aide de l'axe à épaulement. Fixez-le avec l'anneau de fixation.
4. Alignez le bras de porte droit avec le bras de porte incurvé. Choisissez deux trous alignés (qui sont le plus loin possible l'un de l'autre) et fixez en utilisant les boulons, les écrous et les rondelles d'arrêt.

REMARQUE : Si les trous ne s'alignent pas, inversez le bras de porte droit. Choisissez deux trous alignés (qui sont le plus loin possible l'un de l'autre) et fixez en utilisant les boulons, les écrous et les rondelles d'arrêt.

5. Tirez la poignée de déclenchement d'urgence vers l'ouvre-porte de garage jusqu'à ce que le bras de déclenchement du chariot soit horizontal. Le chariot se réengage automatiquement lorsque l'ouvre-porte de garage est activé.

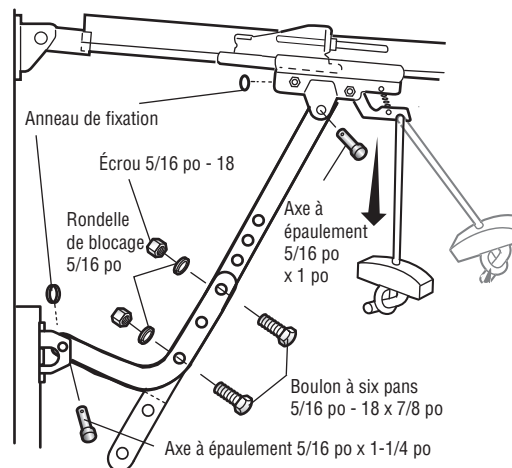


CORRECT

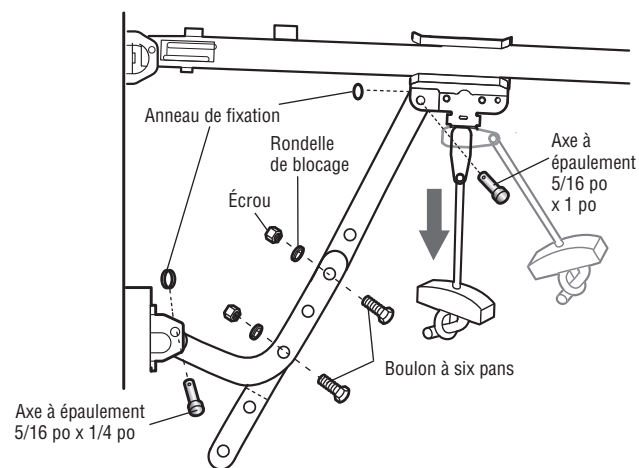


INCORRECT

POUR LE RAIL EN T



POUR RAIL CARRÉ



Installer la commande de porte

1 Installer la commande de porte - 882LMW

AVERTISSEMENT

Pour éviter d'éventuelles BLESSURES GRAVES voire MORTELLES par électrocution :

- Vérifiez que l'alimentation n'est PAS branchée AVANT d'installer la commande de porte.
- Connectez la commande de porte UNIQUEMENT aux fils basse tension 12 Volts.

Pour éviter d'éventuelles BLESSURES GRAVES voire MORTELLES causées par la fermeture d'une porte de garage :

- Installez la commande de porte à portée de vue de la porte de garage, hors de portée des jeunes enfants, à une hauteur minimale de 1,5 m (5 pi) au-dessus du sol, des paliers, des marches ou de toute autre surface de marche adjacente, et loin de TOUTES les pièces mobiles de la porte.
- N'autorisez JAMAIS des enfants à utiliser ou jouer avec les boutons de commande de porte ou les émetteurs de la télécommande.
- Activez la porte UNIQUEMENT lorsqu'elle est clairement visible, qu'elle est correctement réglée et qu'il n'y a pas d'obstacles au déplacement de la porte.
- Gardez TOUJOURS la porte de garage en vue jusqu'à ce qu'elle soit complètement fermée. Ne permettez JAMAIS à quiconque de passer la ligne de la porte de garage lorsqu'elle est en train de se fermer.

INTRODUCTION

Compatible avec les accessoires myQ® et Security+ 2.0, voir page 48. Votre ouvre-porte de garage est compatible avec un maximum de 2 panneaux de commande intelligents ou 4 autres commandes de porte Security+ 2.0. **REMARQUE** : Les anciennes commandes de porte LiftMaster et les produits tiers ne sont pas compatibles.

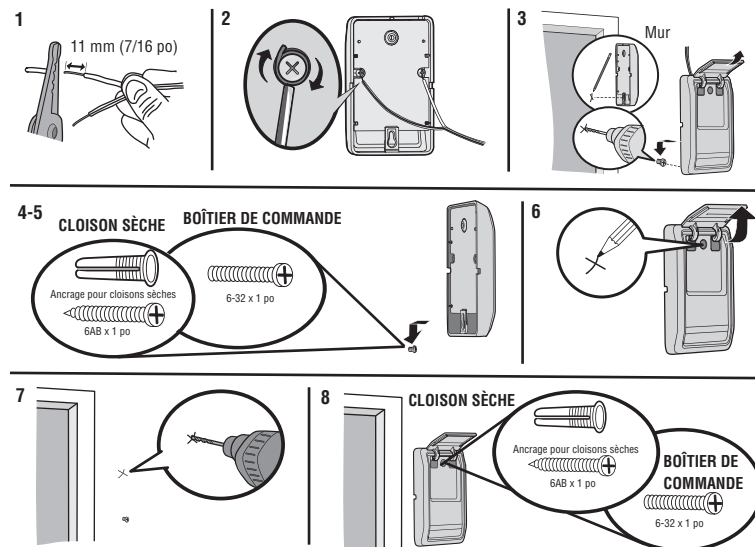
Installez la commande de porte à portée de vue de la porte de garage, hors de portée des jeunes enfants, à une hauteur minimale de 1,5 m (5 pi) au-dessus du sol, des paliers, des marches ou de toute autre surface de marche adjacente, et loin de TOUTES les pièces mobiles de la porte. Pour les installations d'une boîte de commande, il n'est pas nécessaire de percer des trous ou d'installer des ancrages pour cloisons sèches. Utilisez les trous existants de la boîte de commande.

REMARQUE : Il est possible que votre produit soit différent des illustrations.

MATÉRIEL



1. Dénudez 11 mm (7/16 po) d'isolant à une extrémité du fil et séparez les fils.
2. Connectez un fil à chacune des deux vis à l'arrière de la commande de porte. Les fils peuvent être connectés à l'une ou l'autre des vis.
INSTALLATIONS PRÉ-CÂBLÉES : Choisissez deux fils à connecter, notez les fils utilisés afin que les bons fils soient connectés à l'ouvre-porte de garage lors d'une étape ultérieure.
3. Marquez l'emplacement du trou de montage inférieur et percez un trou de 5/32 po.
4. Installez la vis inférieure, en laissant 1/8 po (3 mm) dépasser du mur.
5. Positionnez le trou inférieur de la commande de porte sur la vis et faites-la glisser en place.
6. Soulevez la barre de poussée et marquez le trou supérieur.
7. Retirez la commande de porte du mur et percez un trou de 5/32 po pour la vis du haut.
8. Positionnez le trou inférieur de la commande de porte sur la vis et faites-la glisser en place. Fixez la vis supérieure.



Installer la commande de porte

1 Installer la commande de porte - 883LMW

AVERTISSEMENT

Pour éviter d'éventuelles BLESSURES GRAVES voire MORTELLES par électrocution :

- Vérifiez que l'alimentation n'est PAS branchée AVANT d'installer la commande de porte.
- Connectez la commande de porte UNIQUEMENT aux fils basse tension 12 Volts.

Pour éviter d'éventuelles BLESSURES GRAVES voire MORTELLES causées par la fermeture d'une porte de garage :

- Installez la commande de porte à portée de vue de la porte de garage, hors de portée des jeunes enfants, à une hauteur minimale de 1,5 m (5 pi) au-dessus du sol, des paliers, des marches ou de toute autre surface de marche adjacente, et loin de TOUTES les pièces mobiles de la porte.
- N'autorisez JAMAIS des enfants à utiliser ou jouer avec les boutons de commande de porte ou les émetteurs de la télécommande.
- Activez la porte UNIQUEMENT lorsqu'elle est clairement visible, qu'elle est correctement réglée et qu'il n'y a pas d'obstacles au déplacement de la porte.
- Gardez TOUJOURS la porte de garage en vue jusqu'à ce qu'elle soit complètement fermée. Ne permettez JAMAIS à quiconque de passer la ligne de la porte de garage lorsqu'elle est en train de se fermer.

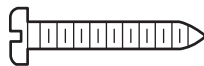
INTRODUCTION

Compatible avec les accessoires myQ® et Security+ 2.0, voir page 48. Votre ouvre-porte de garage est compatible avec un maximum de 2 panneaux de commande intelligents ou 4 autres commandes de porte Security+ 2.0. **REMARQUE** : Les anciennes commandes de porte LiftMaster et les produits tiers ne sont pas compatibles.

Installez la commande de porte à portée de vue de la porte de garage, hors de portée des jeunes enfants, à une hauteur minimale de 1,5 m (5 pi) au-dessus du sol, des paliers, des marches ou de toute autre surface de marche adjacente, et loin de TOUTES les pièces mobiles de la porte. Pour les installations d'une boîte de commande, il n'est pas nécessaire de percer des trous ou d'installer des ancrages pour cloisons sèches. Utilisez les trous existants de la boîte de commande.

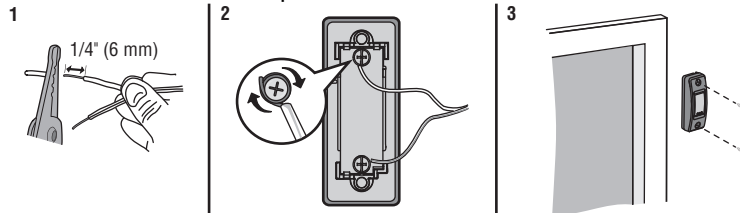
REMARQUE : Il est possible que votre produit soit différent des illustrations.

MATÉRIEL



Vis 6 AB x1 po (2)

1. Dénudez 6 mm (1/4 po) d'isolant à une extrémité du fil et séparez les fils.
2. Connectez un fil à chacune des deux vis à l'arrière de la commande de porte. Les fils peuvent être connectés à l'une ou l'autre des vis.
3. Montez la commande de la porte avec le matériel fourni.

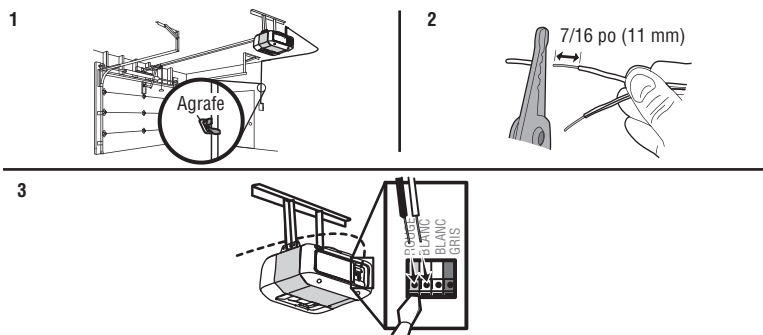


Installer la commande de porte

Câbler la commande de porte à l'ouvre-porte de garage

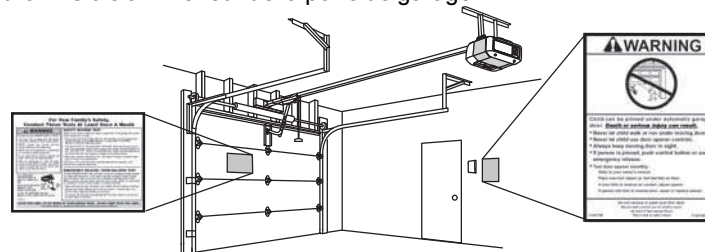
INSTALLATIONS PRÉ-CÂBLÉES : Lorsque vous câblez la commande de porte à l'ouvre-porte de garage, veillez à utiliser les mêmes fils que ceux connectés à la commande de porte.

1. Faites passer le fil blanc et rouge/blanc de la commande de porte à l'ouvre-porte de garage. Fixez le fil au mur et au plafond avec l'agrafe (ne s'applique pas aux boîtes de commande ou aux installations pré-câblées). Ne percez pas le fil avec l'agrafe car ceci risquerait de créer un court-circuit ou un circuit ouvert.
2. Dénudez 11 mm (7/16 po) d'isolant à l'extrémité du fil, près de l'ouvre-porte de garage.
3. Connectez le fil aux bornes rouge et blanche de l'ouvre-porte de garage. Pour insérer ou libérer les fils de la borne, enfoncez la languette avec la pointe d'un tournevis.



3 Fixer les étiquettes d'avertissement

1. Fixez l'étiquette d'avertissement de piégeage sur le mur, près de la commande de porte, avec des punaises ou des agrafes.
2. Fixez l'étiquette de test de déclenchement manuel/d'inversion de sécurité à un endroit visible à l'intérieur de la porte de garage.



Installer le Protector System®

Introduction

AVERTISSEMENT

Vérifiez que l'alimentation n'est PAS connectée à l'ouvre-porte de garage AVANT d'installer le capteur d'inversion de sécurité.

Pour éviter des BLESSURES GRAVES voire MORTELLES en fermant la porte de garage :

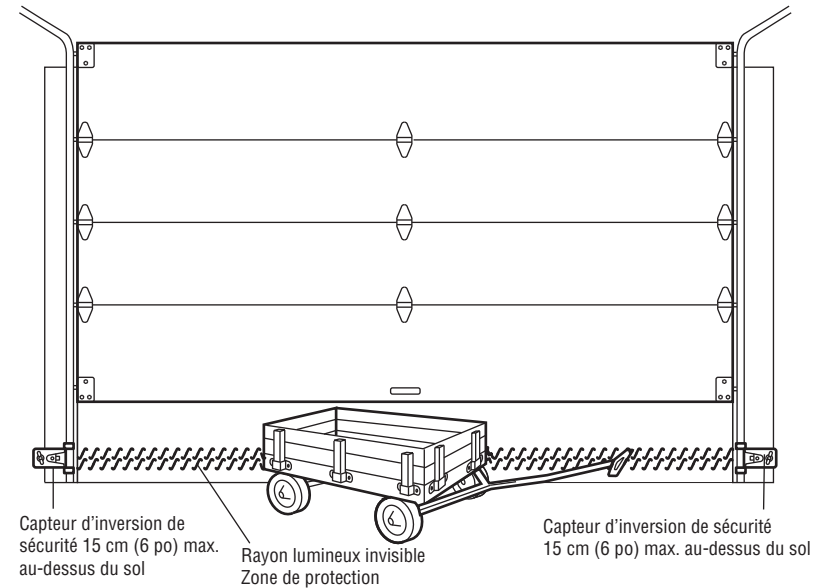
- Raccordez et alignez correctement le capteur d'inversion de sécurité. Ce dispositif de sécurité requis NE DOIT PAS être désactivé.
- Installez le capteur d'inversion de sécurité de sorte que le faisceau ne soit PAS à une HAUTEUR SUPÉRIEURE à 15 cm (6 po) du sol du garage.

IMPORTANT : Les capteurs d'inversion de sécurité DOIVENT être connectés et alignés correctement avant que l'ouvre-porte de garage ne se déplace vers le bas.

Le Protector System® comprend deux capteurs d'inversion de sécurité qui utilisent un faisceau lumineux pour empêcher la fermeture de la porte de garage. Le capteur émetteur (DEL orange) transmet le faisceau au capteur récepteur (DEL verte) lorsque les deux sont alimentés et alignés. Si un obstacle brise le faisceau lumineux pendant la fermeture de la porte, la porte s'arrête, puis retourne en position complètement ouverte.

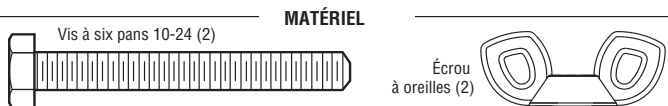
En installant les capteurs d'inversion de sécurité, vérifiez ce qui suit :

- Les capteurs sont installés À L'INTÉRIEUR du garage.
- Les lentilles des capteurs se font face. **IMPORTANT : Ne laissez pas la lumière directe du soleil atteindre le capteur (LED verte).**
- Le faisceau du capteur n'est PAS à une HAUTEUR SUPÉRIEURE à 15,2 cm (6 po) du sol et le faisceau lumineux n'est pas obstrué.



Installer le Protector System®

1 Installer les capteurs d'inversion de sécurité

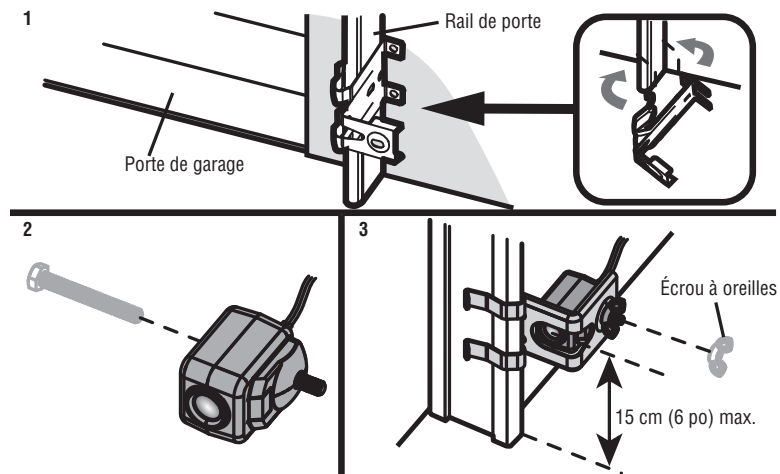


Les capteurs d'inversion de sécurité sont conçus pour se clipser sur le rail de la porte avec les supports de capteur fournis. Si le rail de porte ne supporte pas le support du capteur, une installation murale est recommandée. Le faisceau du capteur ne doit PAS être à une HAUTEUR SUPÉRIEURE à 6 po (15 cm) au-dessus du sol.

INSTALLATION DU RAIL DE PORTE

1. Faites glisser les bras incurvés du support de capteur autour du bord du rail de porte. Enclenchez-le de manière à ce que le support du capteur affleure le rail.
2. Faites glisser la vis à six pans à travers le capteur.
3. Fixez le capteur au support avec l'écrou à oreilles. Vérifiez que l'objectif n'est pas obstrué par le support.

Répétez les étapes avec l'autre capteur sur le rail de porte opposé. Les deux lentilles doivent se faire face.

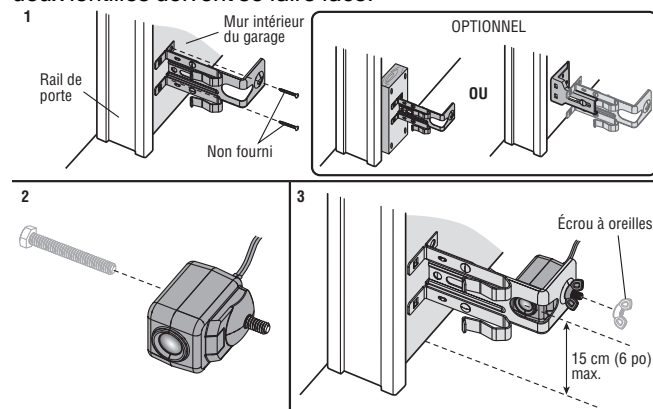


INSTALLATION MURALE

Assurez-vous que les supports de chaque côté sont éloignés du rail de la porte et ont le même dégagement afin que les capteurs s'alignent correctement. Si un dégagement supplémentaire est nécessaire, utilisez des supports d'extension 041A5281-1 (non fournis) ou des blocs de bois.

1. Fixez le support du capteur contre le mur avec deux tirefonds (non fournis).
2. Faites glisser la vis à six pans à travers le capteur.
3. Fixez le capteur au support avec l'écrou à oreilles. Vérifiez que l'objectif n'est pas obstrué par le support.

Répétez les étapes avec l'autre capteur sur le côté opposé de la porte de garage. Les deux lentilles doivent se faire face.

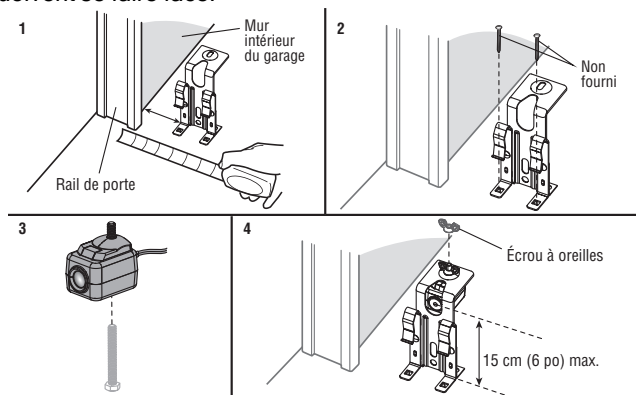


Installer le Protector System®

INSTALLATION AU SOL

1. Mesurez la position des deux supports de capteur afin qu'ils soient à la même distance du mur et sans obstruction.
2. Fixez le support au sol avec des chevilles à béton (non fournies).
3. Faites glisser la vis à six pans à travers le capteur.
4. Fixez le capteur au support avec l'écrou à oreilles. Vérifiez que l'objectif n'est pas obstrué par le support.

Répétez les étapes avec l'autre capteur sur le côté opposé de la porte de garage. Les deux lentilles doivent se faire face.

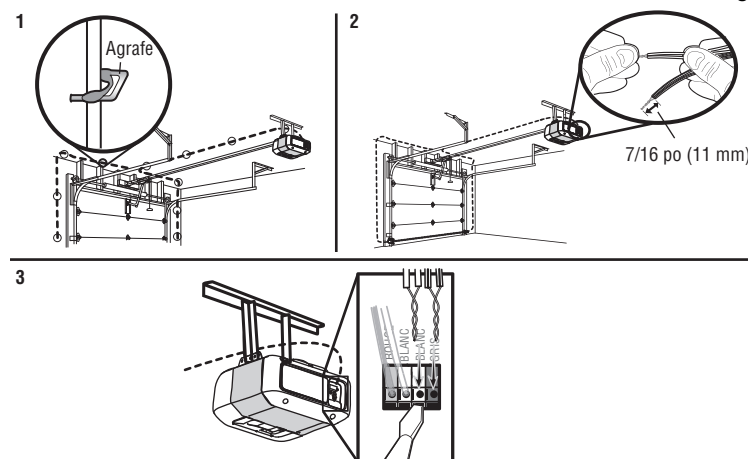


2 Câbler les capteurs d'inversion de sécurité

INSTALLATIONS PRÉ-CÂBLÉES : Si votre garage est déjà équipé de fils pour les capteurs d'inversion de sécurité, voir page 28.

OPTION A - INSTALLATION SANS PRÉ-CÂBLAGE

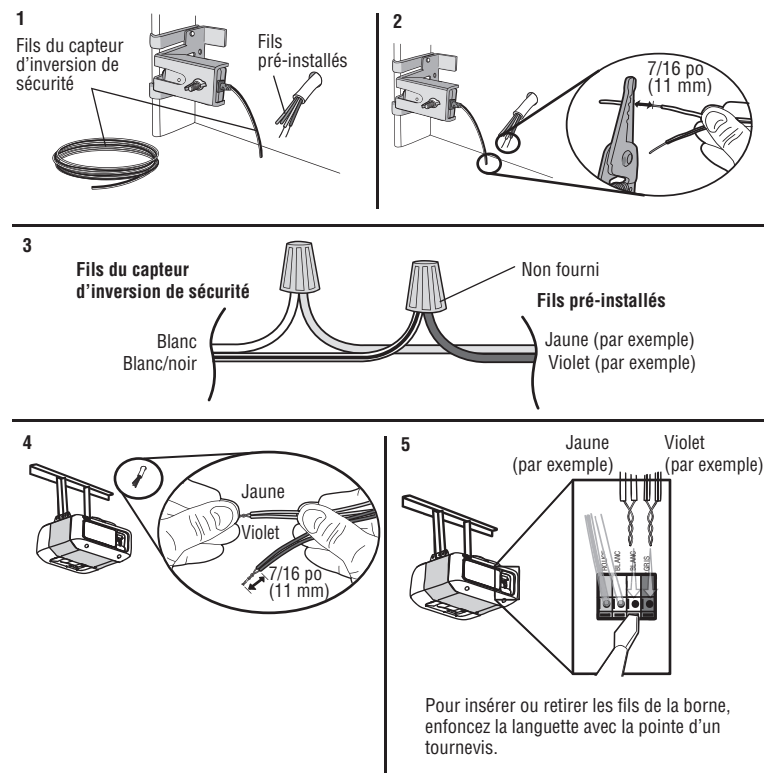
1. Faites passer le fil des deux capteurs à l'ouvre-porte de garage. Fixez avec des agrafes, mais NE percez PAS le fil.
2. Séparez les fils du capteur et dénudez l'isolant à chaque extrémité. Torsadez les deux fils blancs ensemble. Torsadez ensuite les deux fils blanc/noir ensemble.
3. À l'aide d'un tournevis, enfoncez les languettes des bornes et insérez les fils blancs dans la borne blanche. Insérez les fils blanc/noir dans la borne grise.



Installer le Protector System®

OPTION B - INSTALLATION PRÉCÂBLÉE

1. Coupez les fils du capteur, en vous assurant qu'il y a une longueur suffisante de fil pour atteindre les fils préinstallés du mur.
2. Séparez les fils du capteur et dénudez l'isolant à chaque extrémité. Choisissez deux des fils préinstallés et dénudez l'isolant à chaque extrémité. Choisissez les fils préinstallés de la même couleur pour chaque capteur.
3. Connectez les fils préinstallés aux fils du capteur avec des serre-fils en vous assurant que les couleurs correspondent pour chaque capteur.
4. Au niveau de l'ouvre-porte de garage, dénudez l'extrémité des fils connectés auparavant aux capteurs. Torsadez les fils de même couleur ensemble.
5. À l'aide d'un tournevis, enfoncez les languettes des bornes et insérez la couleur du fil connecté au fil blanc du capteur dans la borne blanche. Insérez l'autre couleur de fil connecté au fil blanc/noir du capteur dans la borne grise.



Alimentation

1 Connecter l'alimentation

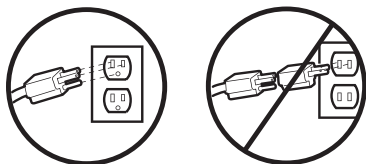
AVERTISSEMENT

Pour éviter les risques de BLESSURES GRAVES voire MORTELLES par électrocution ou incendie :

- Assurez-vous que le courant n'est PAS connecté à l'ouvre-porte, et débranchez le courant du circuit AVANT de retirer le couvercle pour établir une connexion permanente.
- L'installation et le câblage de la porte de garage DOIVENT être conformes à TOUS les codes électriques et de construction locaux.
- N'utilisez JAMAIS de rallonge, d'adaptateur à 2 fils ou ne modifiez en AUCUN cas la fiche pour l'adapter à la prise. Assurez-vous que l'ouvre-porte est mis à la terre.

Pour éviter les difficultés d'installation, assurez-vous de ne pas faire fonctionner l'ouvre-porte à ce moment-là.

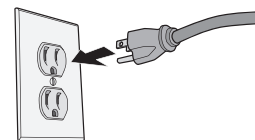
Pour réduire le risque de choc électrique, votre ouvre-porte de garage est équipé d'une fiche de type mise à la terre avec une troisième goupille de mise à la terre. Cette fiche rentre seulement dans une prise de terre. Si la fiche ne rentre pas dans la prise, communiquer avec un électricien qualifié pour faire installer une prise adéquate.



IL EXISTE DEUX OPTIONS POUR CONNECTER L'ALIMENTATION :
OPTION A - CÂBLAGE TYPIQUE

1. Branchez l'ouvre-porte de garage dans une prise de courant mise à la terre.
2. Ne faites PAS fonctionner l'ouvre-porte de garage à ce moment-là.

CÂBLAGE TYPIQUE

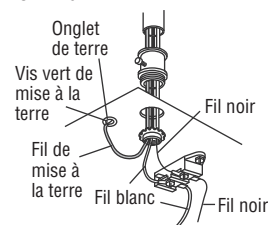


OPTION B - CÂBLAGE PERMANENT

Si un câblage permanent est requis par votre code local, consultez la procédure suivante. Pour effectuer une connexion permanente à travers le trou de 7/8 po dans le haut du bloc moteur (selon le code local) :

1. Retirez les vis du couvercle du bloc moteur et mettez le couvercle de côté.
2. Retirez le cordon à trois broches qui y est attaché.
3. Connectez le fil noir (phase) à la vis de la borne en laiton; le fil blanc (neutre) à la vis de la borne argentée; et le fil de terre à la vis de terre verte. **L'ouvre-porte doit être mis à la terre.**
4. Réinstallez le couvercle.

CÂBLAGE PERMANENT

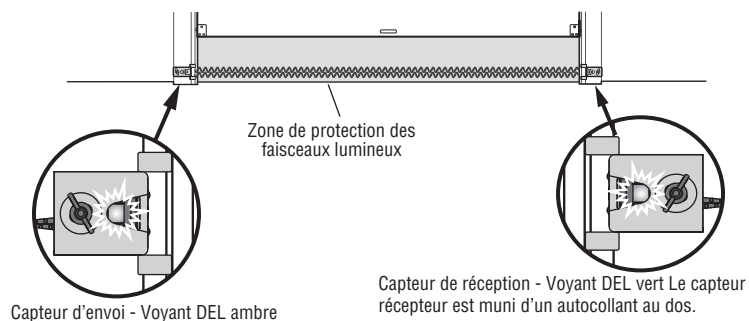


Alimentation

2 Aligner les capteurs d'inversion de sécurité

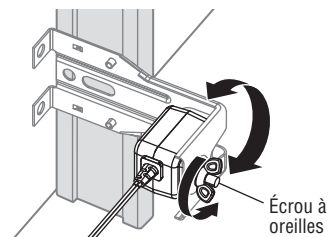
IMPORTANT : Les capteurs d'inversion de sécurité DOIVENT être connectés et alignés correctement avant que l'ouvre-porte de garage ne se déplace vers le bas.

Lorsque l'ouvre-porte de garage est alimenté en électricité, vérifiez les capteurs d'inversion de sécurité. Si les capteurs sont alignés et câblés correctement, les deux voyants à DEL s'allument en continu.



Pour aligner les capteurs d'inversion de sécurité :

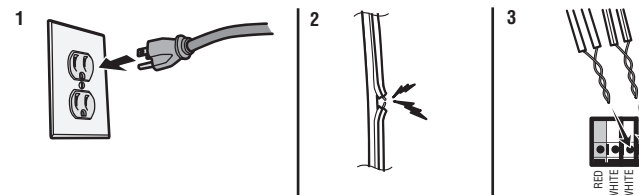
1. Desserrez les écrous à oreilles.
2. Ajustez les capteurs vers le haut ou vers le bas jusqu'à ce que les deux voyants à DEL s'allument de manière continue, indiquant l'alignement.
3. Serrez l'écrou à oreilles pour fixer le capteur.



DÉPANNAGE DU CAPTEUR DE SÉCURITÉ

Si l'un des voyants à DEL du capteur est éteint, le capteur n'est pas alimenté :

1. Vérifiez que l'ouvre-porte de garage est alimenté en électricité.
2. Vérifiez que le fil du capteur n'est pas court-circuité ou cassé.



Si le voyant à DEL vert du capteur de réception clignote, les capteurs sont obstrués ou mal alignés :

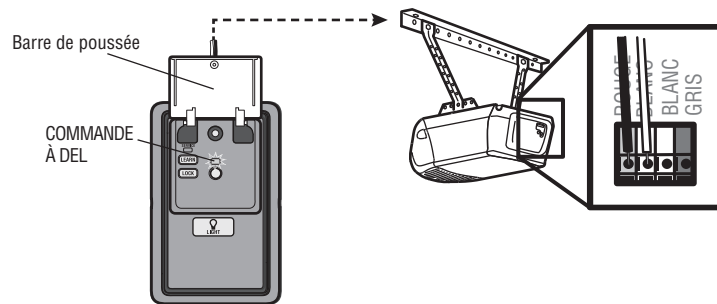
1. Vérifiez que le faisceau lumineux du capteur n'est pas obstrué.
2. Alignez les capteurs.
3. Si le capteur de réception (DEL vert) fait face à la lumière directe du soleil, interchangez le capteur de réception avec le capteur d'envoi et répétez l'étape 1. Installer les capteurs d'inversion de sécurité en page 26 pour assurer un fonctionnement adéquat.

Alimentation

3 Assurez-vous que la commande de la porte est correctement câblée

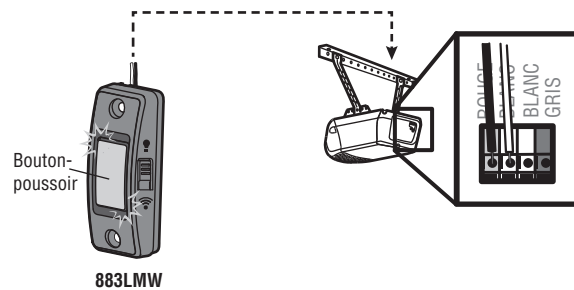
Modèles : 8155W, 8160W, 8160WB, 8165W

Si la commande de porte a été installée et câblée correctement, la DEL située derrière le bouton-poussoir clignote.



Modèles : 8164W

Si la commande de porte a été installée et câblée correctement, la DEL située derrière le bouton-poussoir clignote (883LMW).



Ajustements

Introduction

⚠️ AVERTISSEMENT

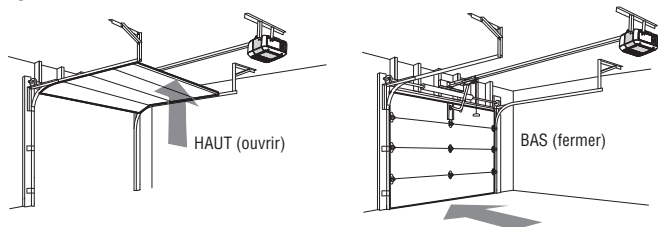
Si le capteur d'inversion de sécurité n'est pas installé correctement, les personnes (en particulier les jeunes enfants) peuvent SUBIR DES BLESSURES GRAVES voire MORTELLES par une porte de garage qui se ferme.

- Un réglage incorrect des limites de déplacement de la porte de garage empêchera le bon fonctionnement du système d'inversion de sécurité.
- Après TOUT réglage, le système d'inversion de sécurité DOIT être testé. La porte DOIT s'inverser au contact d'un objet d'une hauteur de 3,8 cm (1-1/2 po) (ou un 2x4 posé à plat) sur le sol.

⚠️ ATTENTION

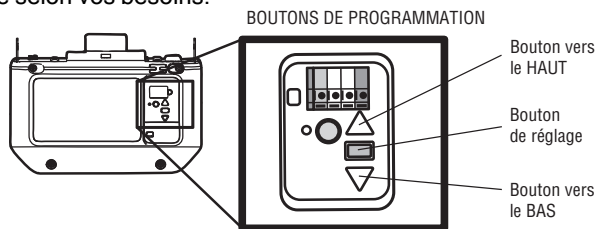
Pour éviter d'endommager les véhicules, assurez-vous que la porte complètement ouverte offre un espace suffisant.

L'ouvre-porte de votre garage est conçu avec des commandes électroniques pour faciliter la configuration et les réglages. Pendant la programmation de la course, les boutons fléchés vers le HAUT et le BAS peuvent être utilisés pour déplacer la porte selon les besoins. Pendant la configuration de la force automatique, la porte s'ouvre et se ferme automatiquement.



BOUTONS DE PROGRAMMATION

Les boutons de programmation sont situés sur le panneau latéral gauche ou arrière de l'ouvre-porte de garage et sont utilisés pour programmer le déplacement. Pendant la programmation, les boutons fléchés vers le HAUT et le BAS peuvent être utilisés pour déplacer la porte selon vos besoins.



Ajustements

1 - Programmer le déplacement

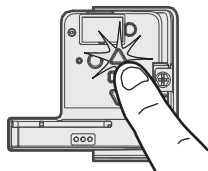
AVERTISSEMENT

Si le capteur d'inversion de sécurité n'est pas installé correctement, les personnes (en particulier les jeunes enfants) peuvent SUBIR DES BLESSURES GRAVES voire MORTELLES par une porte de garage qui se ferme.

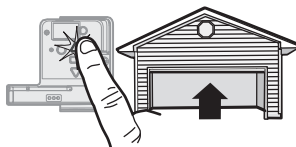
- Un réglage incorrect des limites de déplacement de la porte de garage empêchera le bon fonctionnement du système d'inversion de sécurité.
- Après TOUT réglage, le système d'inversion de sécurité DOIT être testé. La porte DOIT s'inverser au contact d'un objet d'une hauteur de 3,8 cm (1-1/2 po) (ou un 2x4 posé à plat) sur le sol.

Remarque : Pendant la programmation de la course, les boutons fléchés vers le HAUT et le BAS peuvent être utilisés pour déplacer la porte selon les besoins. Pendant la configuration de la force automatique, la porte s'ouvre et se ferme automatiquement.

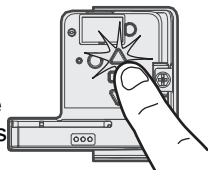
1 Appuyez sur le bouton de réglage et maintenez-le enfoncé jusqu'à ce que le bouton UP commence à clignoter et/ou qu'un bip se fasse entendre. Les capteurs d'inversion de sécurité seront déconnectés pendant le processus de programmation du déplacement.



2 Appuyez et maintenez le bouton fléché vers le HAUT jusqu'à ce que la porte soit dans la position HAUTE souhaitée.



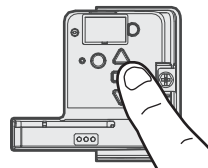
3 Lorsque la porte est dans la position HAUTE souhaitée, appuyez et relâchez le bouton de réglage. Les lumières de l'ouvre-porte de garage clignoteront deux fois et le bouton fléché vers le BAS commencera à clignoter.



4 Appuyez et maintenez le bouton fléché vers le BAS jusqu'à ce que la porte soit dans la position BASSE souhaitée.



5 Lorsque la porte est dans la position BASSE souhaitée, appuyez et relâchez le bouton de réglage. Les lumières de l'ouvre-porte de garage clignoteront deux fois. Le programme du déplacement est maintenant terminé. Si les lumières de l'ouvre-porte de garage clignotent 5 fois, la programmation est terminée et les limites de déplacement n'ont pas été réglées. Veuillez redémarrer le processus de la programmation du déplacement.



2 - Réglage de la force automatique

Lorsque les positions de montée et de descente ont été réglées manuellement, les capteurs d'inversion de sécurité se reconnectent et deviennent opérationnels. L'ouvre-porte entre ensuite dans une opération de détection de force en déplaçant automatiquement la porte pour l'ouvrir et la fermer. L'ouvre-porte de garage émet une alerte sonore et visuelle avant d'ouvrir et de fermer automatiquement la porte. L'ouvre-porte de garage émettra trois bips, confirmant que la configuration de la force automatique s'est déroulée avec succès. Le réglage est terminé.

Si vous entendez un long bip après que la porte ait tenté de se déplacer, cela signifie que le réglage de la force automatique ne s'est pas déroulé correctement. Veuillez recommencer à l'étape 1 de Programmer le déplacement.



Ajustements

3 - Tester le système d'inversion de sécurité

AVERTISSEMENT

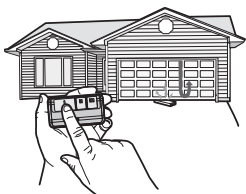
Si le capteur d'inversion de sécurité n'est pas installé correctement, les personnes (en particulier les jeunes enfants) peuvent SUBIR DES BLESSURES GRAVES voire MORTELLES par une porte de garage qui se ferme.

- Le système d'inversion de sécurité DOIT être testé tous les mois.
- Après TOUT réglage, le système d'inversion de sécurité DOIT être testé. La porte DOIT s'inverser au contact d'un objet de 3,8 cm (1-1/2 po) de haut (ou 2x4 posé à plat) sur le sol.

1 La porte étant complètement ouverte, placez une planche de 3,8 cm (1 1/2 po) ou un 2x4 posé à plat sur le sol, centré(e) sous la porte du garage.



2 Appuyez sur le bouton poussoir de la télécommande pour fermer la porte. La porte DOIT s'inverser lorsqu'elle entre en contact avec la planche.



Si la porte s'arrête mais ne se réouvre pas :

1. Répétez la programmation du déplacement (voir l'étape de réglage 1) ;
2. Répétez le test d'inversion de sécurité.

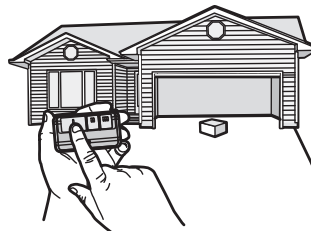
Si le test continue d'échouer, appelez un technicien qualifié en systèmes de portes.

4 - Tester le Protector System®

AVERTISSEMENT

Si le capteur d'inversion de sécurité n'est pas installé correctement, les personnes (en particulier les jeunes enfants) peuvent SUBIR DES BLESSURES GRAVES voire MORTELLES causées pas une porte de garage qui se ferme.

1 Ouvrez la porte. Placez un obstacle sur le chemin de la porte.



L'ouvre-porte de garage ne se fermera pas à partir d'une télécommande si le témoin lumineux de l'un ou l'autre des capteurs est éteint (ce qui vous avertit du fait que le capteur est mal aligné ou obstrué).

Si l'ouvre-porte de garage ferme la porte lorsque le capteur d'inversion de sécurité est obstrué (et que les capteurs ne sont pas à plus de 15 cm [6 po] du sol), appelez un technicien qualifié en systèmes de portes.

Batterie de secours

1 Installer la batterie*

AVERTISSEMENT

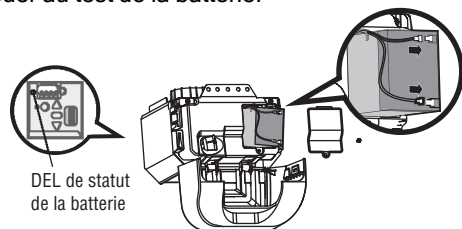
Pour réduire les risques d'INCENDIE ou de BLESSURE CORPORELLE :

- Débranchez TOUTE l'alimentation électrique et la batterie AVANT d'effectuer TOUT entretien ou toute maintenance.
- Utilisez SEULEMENT le no de pièce 485LM de LiftMaster pour remplacer la batterie.
- NE PAS jeter les batteries au feu. La batterie peut exploser. Vérifiez les codes locaux pour les instructions d'élimination.

ATTENTION

Portez TOUJOURS des gants et des lunettes de protection lorsque vous changez la batterie ou que vous travaillez autour du compartiment de la batterie.

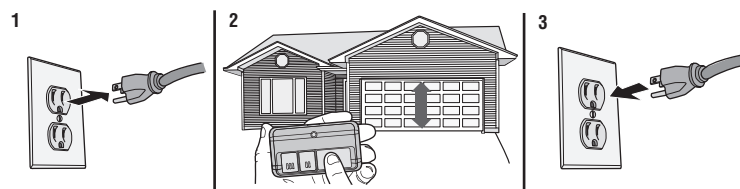
1. Débranchez l'ouvre-porte de garage.
2. Ouvrez la lentille d'éclairage de l'ouvre-porte de garage. Utilisez un tournevis cruciforme pour retirer le couvercle de batterie de l'ouvre-porte de garage.
3. Insérez partiellement la batterie dans son compartiment, les bornes vers l'extérieur.
4. Connectez les fils rouge (+) et noir (-) de l'ouvre-porte de garage aux bornes correspondantes de la batterie.
5. Remettez en place le couvercle de la batterie.
6. Branchez l'ouvre-porte du garage.
7. Attendez que le voyant à DEL vert d'état de la batterie commence à clignoter avant de procéder au test de la batterie.



* Le cas échéant.

2 Test de la batterie

1. Débranchez l'ouvre-porte de garage. Le voyant à DEL de l'état de la batterie soit s'allumera en orange continu pour indiquer que l'ouvre-porte fonctionne batterie soit clignotera pour indiquer que la batterie est faible. **REMARQUE** : Assurez-vous que l'ouvre-porte de garage est débranché.
2. Ouvrez et fermez la porte à l'aide de la télécommande ou de la commande de porte. **REMARQUE** : L'ouvre-porte de garage peut fonctionner plus lentement si la batterie n'est pas complètement chargée. La batterie mettra 24 heures à se charger complètement.
3. Branchez l'ouvre-porte du garage. Vérifiez que le voyant à DEL de la batterie clignote en vert, indiquant que la batterie est en cours de chargement.



Batterie de secours

3 Charger la batterie

La batterie se charge lorsque l'ouvre-porte de garage est branché sur une prise électrique de 120 VCA qui a du courant et il faut 24 heures pour la charger complètement. Une batterie entièrement chargée fournit 12 VCC à l'ouvre-porte de garage pour un maximum de 24 heures de fonctionnement normal pendant une panne de courant. Suite au rétablissement du courant électrique, la batterie se recharge en 24 heures. La batterie durera environ 1 à 2 ans dans des conditions normales d'utilisation. Pour obtenir une durée de vie maximale de la batterie et éviter tout dommage, débranchez la batterie lorsque l'ouvre-porte de garage est débranché pendant une période prolongée, par exemple à votre chalet.

4 DEL de statut de la batterie

DEL VERTE :

Tous les systèmes sont normaux.

- Un voyant DEL vert indique que la batterie est entièrement chargée.
- Un voyant DEL vert clignotant indique que la batterie est en cours de chargement.

DEL ORANGE :

L'ouvre-porte de garage a perdu de l'énergie et est en mode de secours par batterie.

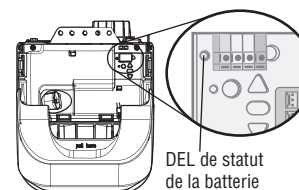
- Un voyant à DEL orange allumé en continu accompagné d'un signal sonore, émis toutes les 2 secondes environ, indique que l'ouvre-porte de garage fonctionne sur batterie.
- Un voyant à DEL orange clignotant accompagné d'un bip sonore toutes les 30 secondes indique que la batterie est faible.

DEL ROUGE :

La batterie doit être remplacée.

- Une DEL rouge allumée en continu avec un bip sonore toutes les 30 secondes indique que la batterie ne tient plus la charge et doit être remplacée. Rendez-vous sur LiftMaster.com pour acheter une batterie de rechange qui permettra à votre système de fonctionner pendant une panne de courant.

REMARQUE : Le voyant à DEL d'état de la batterie est plus visible lorsque l'ouvre-porte de garage est éteint. Il n'est pas nécessaire que la batterie soit complètement chargée pour faire fonctionner l'ouvre-porte de garage.



CONSIGNES DE SÉCURITÉ IMPORTANTES



Pour réduire le risque de BLESSURES GRAVES voire MORTELLES :

1. LISEZ ET SUIVEZ TOUS LES AVERTISSEMENTS ET TOUTES LES INSTRUCTIONS.
2. Gardez TOUJOURS les télécommandes hors de portée des enfants. Ne permettez JAMAIS aux enfants de manipuler ou de jouer avec les boutons-poussoirs ou les télécommandes de la porte de garage.
3. N'activez la porte du garage QUE lorsqu'elle est bien visible, qu'elle est correctement réglée et qu'il n'y a pas d'obstacles à son déplacement.
4. Gardez TOUJOURS la porte de garage en vue et loin des personnes et des objets jusqu'à ce qu'elle soit complètement fermée. NE TRAVERSEZ JAMAIS LA PORTE LORSQU'ELLE EST EN MOUVEMENT.
5. PERSONNE NE DEVRAIT PASSER SOUS UNE PORTE ARRÊTÉE OU PARTIELLEMENT OUVERTE.
6. Dans la mesure du possible, utilisez UNIQUEMENT la poignée de déclenchement d'urgence pour désengager le chariot lorsque la porte du garage est FERMÉE. Soyez prudent lorsque vous utilisez cette poignée pendant que la porte est ouverte. Des ressorts abîmés ou une porte incorrectement calibrée pourraient entraîner une chute rapide ou inattendue d'une porte ouverte et augmenter le risque de BLESSURE GRAVE ou FATALE.
7. N'utilisez JAMAIS la poignée de déclenchement d'urgence avant que toutes les personnes et les obstacles aient été retirés du trajet qu'elle suivra.
8. N'utilisez JAMAIS la poignée pour ouvrir ou fermer la porte du garage. Si le nœud de la corde se défait, vous risquez de tomber.
9. Après TOUT réglage, le système d'inversion de sécurité DOIT être testé.
10. Le système d'inversion de sécurité DOIT être testé tous les mois. La porte DOIT s'inverser au contact d'un objet de 3,8 cm (1-1/2 po) de haut (ou 2x4 posé à plat) sur le sol. Une installation inadéquate de l'ouvre-porte de garage augmente le risque de BLESSURE GRAVE ou MORTELLE.
11. GARDEZ TOUJOURS LA PORTE DE GARAGE BIEN ÉQUILIBRÉE (voir page 4). Une porte mal équilibrée risque de ne PAS s'inverser lorsque cela est nécessaire et pourrait entraîner des BLESSURES GRAVES voir MORTELLES.
12. TOUTES les réparations de câbles, ressorts et autre matériel, qui sont TOUS sous une tension EXTRÊME, DOIVENT être effectuées par un technicien en systèmes de portes qualifié.
13. Pour éviter les interférences avec le bon fonctionnement de l'ouvre-porte de garage, lorsque vous utilisez une machine à souder dans le garage, débranchez l'ouvre-porte de garage avant de faire fonctionner la machine à souder.
14. Pour éviter des BLESSURES PERSONNELLES SÉVÈRES ou la MORT par électrocution, débranchez TOUTE l'alimentation électrique et la batterie AVANT d'effectuer tout entretien ou TOUTE maintenance.
15. Ce système de commande est équipé d'une fonction de fonctionnement sans surveillance. La porte pourrait bouger de façon inattendue. NE TRAVERSEZ JAMAIS LA PORTE LORSQU'ELLE EST EN MOUVEMENT.
16. Ne l'installez PAS sur une porte monobloc si vous utilisez des dispositifs ou des fonctionnalités permettant une fermeture sans surveillance. Les dispositifs et fonctionnalités sans surveillance doivent être utilisés UNIQUEMENT avec des portes sectionnelles.

17. CONSERVER CES INSTRUCTIONS.

Fonctionnement

Caractéristiques

Votre ouvre-porte de garage est équipé de fonctions qui vous permettent de mieux contrôler le fonctionnement de votre porte de garage.

ALERT2CLOSE

La fonction Alert2Close fournit une alerte visuelle et sonore indiquant qu'une porte non surveillée est en train de se fermer.

MINUTERIE DE FERMETURE (TTC)

La fonction TTC ferme automatiquement la porte après une période de temps déterminée qui peut être réglée à l'aide d'une commande de porte TTC (modèles 881LMW ou 880LMW). Avant et pendant la fermeture de la porte, les lumières de l'ouvre-porte de garage clignotent et l'ouvre-porte de garage émet un bip.

MYQ

la technologie myQ® utilise un signal 900MHz pour assurer une communication bidirectionnelle entre l'ouvre-porte de garage et les accessoires compatibles myQ®. L'opérateur de porte Wi-Fi est compatible avec un maximum de 16 accessoires compatibles myQ®.

TÉLÉCOMMANDES ET COMMANDES DE PORTE SECURITY+ 2.0

Votre ouvre-porte de garage a déjà été programmé en usine pour fonctionner avec votre télécommande, qui change à chaque utilisation, accédant de manière aléatoire à plus de 100 milliards de nouveaux codes. Compatible avec les accessoires myQ® et Security+ 2.0, voir page 48

REMARQUE : Les anciennes télécommandes et commandes de porte LiftMaster et les produits tiers ne sont pas compatibles.

Accessoires Security+ 2.0	CAPACITÉ DE MÉMOIRE
Télécommandes :	Jusqu'à 12
Commandes de porte	Jusqu'à 2 panneaux de commande intelligents ou 4 de n'importe quelle autre commande de porte Security+ 2.0
Entrées sans clé	Jusqu'à 1

LE PROTECTOR SYSTEM® (CAPTEURS D'INVERSION DE SÉCURITÉ)

Lorsqu'ils sont connectés et alignés correctement, les capteurs d'inversion de sécurité détectent une obstruction dans la trajectoire du faisceau infrarouge. Si un obstacle brise le faisceau infrarouge pendant la fermeture de la porte, la porte s'arrête, puis retourne en position complètement ouverte. Si la porte est complètement ouverte et que les capteurs d'inversion de sécurité ne sont pas installés ou sont mal alignés, la porte ne se fermera pas à l'aide d'une télécommande. Cependant, vous pouvez fermer la porte si vous maintenez le bouton de la commande de la porte ou du système d'accès sans clé jusqu'à

ce que la porte soit complètement fermée. Les capteurs d'inversion de sécurité n'affectent pas le cycle d'ouverture.

LUMIÈRES

Les lumières de l'ouvre-porte de garage s'allument lorsque l'ouvre-porte est initialement branché, lorsque le courant est rétabli après une interruption ou lorsque l'ouvre-porte de garage est activé. Les lumières s'éteignent automatiquement après 4 minutes et demie. Utilisez une ampoule à incandescence A19 (100 watts maximum).

UTILISATION DE VOTRE OUVRE-PORTE DE GARAGE

L'ouvre-porte de garage peut être activé par une commande de porte murale, une télécommande, un système d'accès sans clé sans-fil ou l'application myQ®. Lorsque la porte est fermée et que l'ouvre-porte de garage est activé, la porte s'ouvre. Si la porte entre en contact avec un obstacle pendant l'ouverture, la porte s'arrête, l'ouvre-porte émet des bips et les lumières clignotent 5 fois. Lorsque la porte est dans une position autre que fermée et que l'ouvre-porte de garage est activé, la porte se ferme. Si la porte de garage entre en contact avec un obstacle pendant la fermeture, la porte s'inverse, l'ouvre-porte émet des bips et les lumières clignotent 5 fois. Cependant, vous pouvez fermer la porte si vous maintenez le bouton de la commande de la porte ou du système d'accès sans clé jusqu'à ce que la porte soit complètement fermée. Les capteurs d'inversion de sécurité n'affectent pas le cycle d'ouverture. Le capteur d'inversion de sécurité doit être connecté et aligné correctement avant que l'ouvre-porte de garage fasse descendre la porte.

BATTERIE DE SECOURS*

La batterie de secours de 12 V permet d'entrer et de sortir de votre garage, même en cas de panne de courant. Lorsque l'ouvre-porte de garage fonctionne sur batterie, l'ouvre-porte de garage fonctionnera plus lentement, la lumière ne fonctionnera pas, le voyant DEL d'état de la batterie sera orange fixe et un bip retentira toutes les 2 secondes environ. *le cas échéant

Fonctionnement

Connectez-vous avec votre téléphone intelligent

L'ouvre-porte de garage Wi-Fi est compatible avec un maximum de 16 accessoires myQ®. Jusqu'à 10 dispositifs peuvent être jumelés à la passerelle interne de l'ouvre-porte de garage Wi-Fi. Ces appareils peuvent être contrôlés avec l'application myQ®. Ces accessoires comprennent toute combinaison d'ouvre-portes de garage myQ®, d'ouvre-portes de garage Wi-Fi, de commandes de lumière myQ® de dispositifs de fermeture de porte myQ® ou d'opérateurs de portes commerciales myQ®. Une passerelle Internet LiftMaster (828LM) peut être ajoutée si vous avez besoin de contrôler plus de 10 dispositifs à l'aide de l'application myQ®. Il est possible de jumeler jusqu'à 6 dispositifs à l'ouvre-porte de garage lui-même (contrôlé par l'ouvre-porte de garage via 900 MHz). Ces dispositifs comprennent toute combinaison de des commandes d'éclairage ou un moniteur de porte de garage ou de barrière myQ®.

VOUS AUREZ BESOIN :

- Téléphone intelligent, tablette ou ordinateur portable compatible Wi-Fi
- Connexion Internet à large bande
- Un signal Wi-Fi dans le garage (**2,4 GHz, 802,11 b/g/n requis**), voir la page 4
- Mot de passe pour votre réseau domestique (le compte principal du routeur; pas le réseau invité)
- Numéro de série myQ® indiqué sur l'ouvre-porte de garage

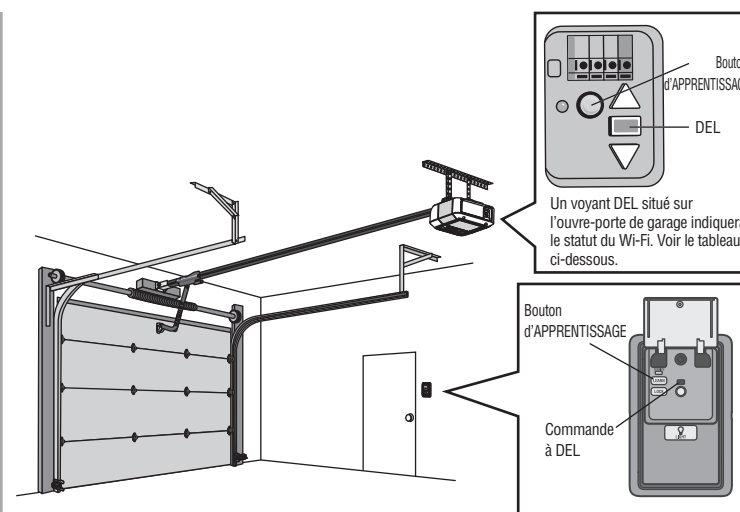
TÉLÉCHARGEZ L'APPLICATION myQ® POUR OUVRIR UN COMPTE ET VOUS CONNECTER

Ouvrez et fermez votre porte, recevez des alertes et définissez des horaires à partir de n'importe où. Les ouvre-portes de garage intelligents connectés reçoivent également des mises à jour logicielles afin de garantir que l'ouvre-porte dispose des dernières fonctionnalités opérationnelles.

L'ouvre-porte de garage doit effectuer un cycle complet avant d'activer la programmation Wi-Fi®.

1. Téléchargez l'application myQ®.
2. Créez un compte et connectez-vous.

Pour plus d'information sur la connexion de votre ouvre-porte de garage, consultez le site support.chamberlaingroup.com.



STATUT WI-FI	
DEL	Définition
Bleu	Éteint - Le Wi-Fi n'est pas activé. Clignotant - L'ouvre-porte de garage est en mode d'apprentissage Wi-Fi. Allumé en continu - L'appareil mobile est connecté à l'ouvre-porte de garage.
Bleu et Vert	Clignotant - Tentative de connexion au routeur.
Vert	Clignotant - Tentative de connexion au serveur Internet. Allumé en continu - Le Wi-Fi a été configuré et l'ouvre-porte de garage est connecté à Internet.

REMARQUES :

La commande de l'application myQ® ne fonctionnera PAS si l'ouvre-porte de garage fonctionne sur batterie.

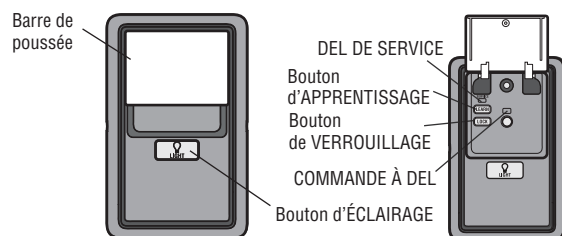
Pour effacer les paramètres Wi-Fi de l'ouvre-porte, voir page 44.

Fonctionnement

Utilisation de la commande de porte multifonction 882LMW

SYNCHRONIZER LA COMMANDE DE PORTE

Pour synchroniser la commande de la porte à l'ouvre-porte du garage, appuyez sur la barre de poussée jusqu'à ce que l'ouvre-porte du garage se mette en fonction (cela peut prendre jusqu'à trois poussées). Essayez la commande de la porte en appuyant sur la barre de poussée, chaque poussée sur la barre de poussée activera l'ouvre-porte de garage.



BARRE DE POUSSÉE

Appuyez sur la barre de poussée pour ouvrir ou fermer la porte.

BOUTON LIGHT (LUMIÈRE)

Allume ou éteint les lumières de l'ouvre-porte de garage. Lorsque les lumières sont allumées, elles demeureront jusqu'à ce que le bouton LIGHT soit enfoncé à nouveau, ou jusqu'à ce que l'ouvre-porte de garage soit activé. Une fois l'ouvre-porte de garage activé, les lumières s'éteignent après le délai précisé (le paramètre réglé en usine est de 4 minutes et demie). Le bouton d'éclairage ne permet pas de contrôler les lumières lorsque la porte est en mouvement.

Les fonctions suivantes sont accessibles en soulevant la barre de poussée :

APPRENTISSAGE D'UN APPAREIL

Toutes les télécommandes compatibles, le système d'entrée sans clé sans fil ou les accessoires myQ® peuvent être programmés à l'ouvre-porte de garage en appuyant sur le bouton d'APPRENTISSAGE de la commande de la porte, voir page 43.

VERROU

La fonction de VERROU est conçue pour empêcher l'activation de l'ouvre-porte de garage à partir de télécommandes tout en permettant l'activation à partir de la commande de la porte et de l'entrée sans clé. Cette fonction est utile pour une plus grande tranquillité d'esprit lorsque la maison est vide (par ex. pour les vacances).

ALERTE D'ENTRETIEN (MAS)

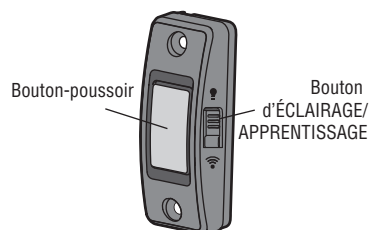
Cette option aide les propriétaires à veiller à ce que leur système d'ouvre-porte de garage demeure en bonne condition de fonctionnement. Lorsque l'ouvre-porte de garage nécessite un entretien (environ 4500 cycles de l'ouvre-porte) les voyants à DEL de la commande (jaune) et de l'entretien (rouge) commenceront à clignoter en alternance. Le réglage par défaut pour le MAS est à l'arrêt et peut être activé lors de l'installation. Communiquez avec votre revendeur pour l'entretien.

Fonctionnement

Utilisation de la commande de porte à bouton-poussoir 883LMW

SYNCHRONIZER LA COMMANDE DE PORTE

Pour synchroniser la commande de la porte avec l'ouvre-porte de garage, appuyez sur le bouton poussoir jusqu'à ce que l'ouvre-porte de garage s'active (cela peut prendre jusqu'à 3 pressions). Essayez la commande de porte en appuyant sur le bouton-poussoir, chaque poussée sur celui-ci activera l'opérateur de porte.



BOUTON-POUSSOIR

Appuyez sur le bouton-poussoir pour ouvrir ou fermer la porte.

BOUTON D'ÉCLAIRAGE/APPRENTISSAGE

Allume ou éteint les lumières de l'ouvre-porte de garage. Lorsque les lumières sont allumées, elles le demeureront jusqu'à ce que le bouton LIGHT soit enfoncé à nouveau, ou jusqu'à ce que l'ouvre-porte de garage soit activé. Une fois l'ouvre-porte de garage activé, les lumières s'éteignent après le délai précisé (le paramètre réglé en usine est de 4 minutes et demie). Le bouton d'éclairage ne permet pas de contrôler les lumières lorsque la porte est en mouvement.

Fonctionnement

Utilisation de la commande de porte

VERROU

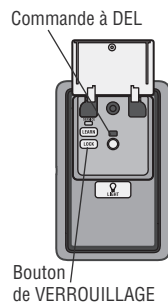
Vos télécommandes ne fonctionneront PAS lorsque le mode de VERROUILLAGE est activé, mais votre système d'accès sans clé permettra toujours d'accéder à votre garage.

Activer :

Appuyez et maintenez le bouton de VERROUILLAGE pendant 2 secondes. La DEL de commande clignote tant que la fonction de verrouillage est activée et votre télécommande manuelle ne peut pas faire fonctionner votre porte à ce moment-là.

Désactiver :

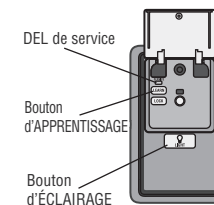
Appuyez et maintenez à nouveau le bouton de VERROUILLAGE pendant deux secondes. Le voyant DEL cesse de clignoter et le fonctionnement normal reprend.



SYSTÈME D'ALERTE D'ENTRETIEN (MAS) :

Activer/Désactiver :

Appuyez et maintenez le bouton d'APPRENTISSAGE. Appuyez ensuite sur le bouton d'ÉCLAIRAGE. La LED de service clignote pour indiquer l'état; 2 clignotements pour actif et 3 pour désactivé.



Fonctionnement

Télécommande

La télécommande a été programmée en usine pour fonctionner avec votre ouvre-porte de garage.

Les anciennes télécommandes LiftMaster ne sont PAS compatibles, voir page 48 pour les accessoires compatibles. La programmation peut être effectuée par la commande de la porte ou par le bouton d'apprentissage de l'ouvre-porte de garage. Pour programmer des accessoires supplémentaires, reportez-vous aux instructions fournies avec l'accessoire ou visitez LiftMaster.com. Si votre véhicule est équipé d'un Homelink®, il est possible que vous ayez besoin d'un adaptateur externe en fonction de la marque, du modèle et de l'année de votre véhicule. Visitez www.homelink.com pour obtenir des renseignements supplémentaires.

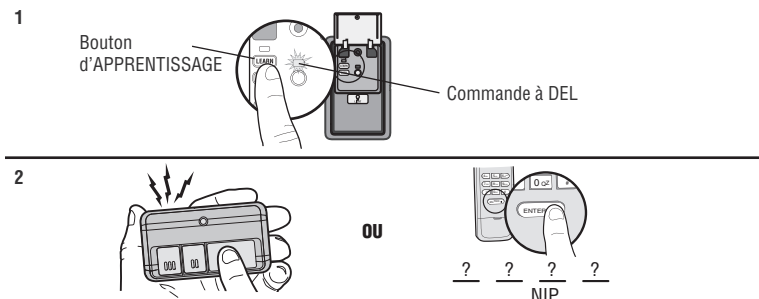
POUR AJOUTER, REPROGRAMMER OU CHANGER UNE BROCHE DE TÉLÉCOMMANDE/ENTRÉE SANS CLÉ À L'AIDE DE LA COMMANDE DE PORTE À BOUTON-POUSOIR - MODÈLE 882LMW

1. Appuyez **deux fois** sur le bouton-poussoir d'APPRENTISSAGE de la commande de porte. La LED de commande clignote.
2. **Commande à distance :**
Appuyez sur le bouton de la télécommande que vous voulez utiliser pour faire fonctionner votre porte de garage.

Entrée sans clé :

Entrez un numéro d'identification personnel (NIP) à 4 chiffres de votre choix sur le clavier du dispositif d'entrée sans clé. Appuyez ensuite sur la touche ENTER (entrée).

Les lumières de l'ouvre-porte de garage clignoteront (ou vous entendrez deux clics) et la DEL de la commande arrêtera de clignoter lorsque le code est programmé. Refaites les étapes pour programmer des télécommandes ou des dispositifs d'entrée sans clé supplémentaires. Si la programmation n'aboutit pas, programmez la télécommande à l'aide de la touche de programmation.



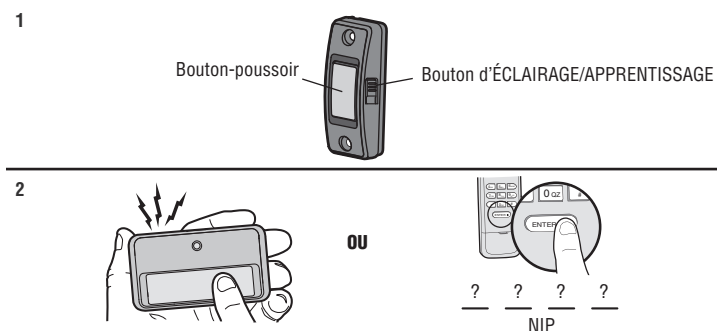
POUR AJOUTER, REPROGRAMMER OU CHANGER UNE BROCHE DE TÉLÉCOMMANDE/ENTRÉE SANS CLÉ À L'AIDE DE LA COMMANDE DE PORTE MULTIFONCTION - MODÈLE 883LMW

1. Enfoncez et maintenez le bouton de l'ÉCLAIRAGE et le bouton-poussoir jusqu'à ce que la DEL du bouton-poussoir commence à clignoter.
2. **Commande à distance :**
Appuyez sur le bouton de la télécommande que vous voulez utiliser pour faire fonctionner votre porte de garage.

Entrée sans clé :

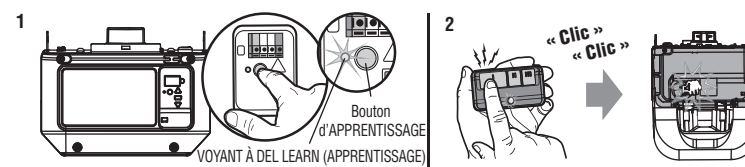
Entrez un numéro d'identification personnel (NIP) à 4 chiffres de votre choix sur le clavier du dispositif d'entrée sans clé. Appuyez ensuite sur la touche ENTER (entrée).

Les lumières de l'ouvre-porte de garage clignoteront (ou vous entendrez deux clics) lorsque le code est programmé. Refaites les étapes pour programmer des télécommandes ou des dispositifs d'entrée sans clé supplémentaires. Si la programmation n'aboutit pas, programmez la télécommande à l'aide de la touche de programmation.



POUR AJOUTER, REPROGRAMMER OU MODIFIER UNE TÉLÉCOMMANDE À L'AIDE DU BOUTON DE PROGRAMMATION

1. Appuyez et relâchez le bouton LEARN sur l'ouvre-porte de garage.
2. Appuyez et maintenez le bouton de la télécommande que vous voulez utiliser. Relâchez le bouton lorsque les lumières de l'ouvre-porte de garage clignotent ou que vous entendiez deux clics.



Fonctionnement

Pour effacer la mémoire

EFFACER TOUTES LES TÉLÉCOMMANDES ET LES ENTRÉES SANS CLÉS.

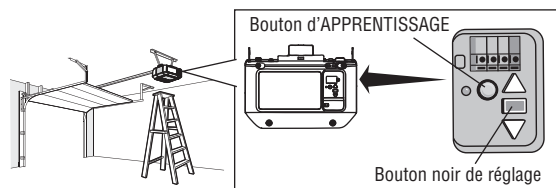
1. Appuyez et maintenez le bouton LEARN (apprentissage) sur l'ouvre-porte jusqu'à ce que le voyant à DEL LEARN s'éteigne (environ 6 secondes). Tous les codes de télécommandes et des entrées sans clé sont maintenant effacés. Reprogrammez tout accessoire que vous voulez utiliser.

EFFACER TOUS LES APPAREILS Y COMPRIS LES ACCESSOIRES COMPATIBLES myQ®

1. Appuyez et maintenez le bouton LEARN (apprentissage) sur l'ouvre-porte jusqu'à ce que le voyant à DEL LEARN s'éteigne (environ 6 secondes).
2. Appuyez immédiatement sur le bouton LEARN (apprentissage) et maintenez-le enfoncé jusqu'à ce que le voyant à DEL correspondant s'éteigne. Tous les codes sont maintenant supprimés. Reprogrammez tout accessoire que vous voulez utiliser.

EFFACER LE RÉSEAU Wi-Fi® DE L'OUVRE-PORTE DE GARAGE

1. Appuyez sur le bouton de réglage noir de l'ouvre-porte de garage et maintenez-le enfoncé jusqu'à ce que vous entendiez 3 bips (environ 6 secondes).



Pour ouvrir la porte manuellement

⚠ AVERTISSEMENT

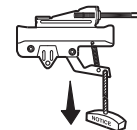
Pour éviter d'éventuelles BLESSURES GRAVES voire MORTELLES causées par une porte de garage qui tombe :

- Dans la mesure du possible, utilisez UNIQUEMENT la poignée de déclenchement d'urgence pour désengager le chariot lorsque la porte de garage est FERMÉE. Des ressorts faibles ou cassés, ou une porte déséquilibrée peuvent entraîner une chute rapide et/ou inattendue d'une porte ouverte.
- N'utilisez JAMAIS la poignée de déclenchement d'urgence avant que toutes les personnes et les obstacles aient été retirés du trajet qu'elle suivra.
- N'utilisez JAMAIS la poignée pour ouvrir ou fermer la porte. Si le nœud de la corde se défait, vous risquez de tomber.

POUR LE RAIL EN T

Déconnectez le chariot

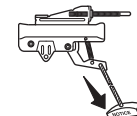
1. Si possible, la porte devrait être fermée complètement.
2. Tirez sur la poignée de déverrouillage d'urgence.



Reconnectez le chariot

Le dispositif de verrouillage empêche le chariot de se reconnecter automatiquement.

1. Tirez la poignée de déverrouillage d'urgence vers le bas et l'arrière (vers l'ouvre-porte de garage). La porte de garage peut alors être levée et abaissée manuellement selon les besoins.
2. Pour désengager le dispositif de verrouillage, tirez la poignée vers le bas. Le chariot se connectera à nouveau lors du prochain mouvement vers le HAUT ou le BAS, soit de façon manuelle soit en utilisant la commande de la porte ou la télécommande.



Maintenance

Planification de l'entretien

TOUS LES MOIS

- Faites fonctionner la porte manuellement. Si elle est déséquilibrée ou pliée, appelez un technicien qualifié en systèmes de porte.
- Vérifiez que la porte ouvre et ferme au complet. Ajustez si nécessaire, voir page 33.
- Faites un test pour vérifier le système d'inversion de sécurité. Ajustez si nécessaire, voir page 34.

TOUS LES ANS

- Huilez les rouleaux, les roulements et les charnières de porte. L'ouvre-porte de garage ne nécessite pas davantage de lubrification. N'appliquez pas de la graisse sur les rails de la porte.
- Testez la batterie et songez à la remplacer pour vous assurer que l'ouvre-porte de garage fonctionnera en cas de panne d'électricité; voir page 35 pour tester la batterie de secours.

TOUS LES DEUX OU TROIS ANS - RAIL EN T UNIQUEMENT

- Utilisez un linge pour essuyer la graisse du rail de l'ouvre-porte de garage. Appliquez à nouveau une légère couche de graisse au lithium blanc sur le dessus et à l'intérieur de la surface du rail où le chariot glisse.

AVIS : Cet appareil est conforme à la partie 15 du règlement de la FCC ainsi qu'avec le CNR exempt de licence d'Innovation, Science et Développement économique Canada. Son utilisation est sujette aux deux conditions suivantes : (1) cet appareil ne doit pas causer d'interférences nuisibles, et (2) cet appareil doit accepter toutes les interférences reçues, y compris les interférences qui peuvent causer le fonctionnement indésirable de l'appareil.

Les modifications ou les changements non expressément approuvés par la partie responsable de la conformité peuvent annuler l'autorité de l'utilisateur à utiliser l'équipement.

Cet appareil doit être installé pour qu'une distance minimum de 8 pouces (20 cm) soit maintenue entre les utilisateurs, les passants et l'appareil.

Cet appareil a été testé et s'est avéré conforme aux limites d'un appareil numérique de classe B selon la partie 15 des règlements de la FCC et des normes ICES d'Industrie Canada. Ces limites ont pour objet de fournir une protection raisonnable contre les interférences nuisibles dans une installation résidentielle. Cet équipement produit, utilise et peut rayonner de l'énergie radiofréquence et, s'il n'est pas installé et utilisé conformément aux instructions, il risque de causer des interférences nuisibles aux communications radio. Toutefois, il n'est pas possible de garantir l'absence d'interférences dans une installation particulière. Si cet équipement cause des interférences nuisibles à la réception radio ou TV, ce qui peut être déterminé en l'éteignant puis en le rallumant, l'utilisateur est invité à essayer de corriger l'interférence en prenant au moins l'une des mesures suivantes :

- Réorienter ou déplacer l'antenne réceptrice.
- Éloignez l'appareil de l'équipement ou du récepteur.
- Branchez l'équipement sur une prise correspondant à un autre circuit que celui sur lequel le récepteur est branché.
- Consultez le revendeur ou un technicien radio/TV.

Batterie de la télécommande

AVERTISSEMENT

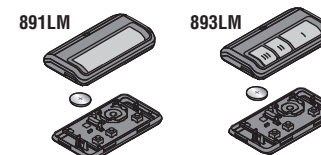
Pour éviter d'éventuelles BLESSURES GRAVES voire MORTELLES :

- Ne laissez JAMAIS de jeunes enfants s'approcher des piles.
- En cas d'ingestion de la pile, prévenez immédiatement un médecin.

Pour réduire les risques d'incendie, d'explosion ou de brûlures chimiques respectez ce qui suit :

- Utilisez SEULEMENT des piles CR2032 de 3 V pour remplacer.
- Ne rechargez, démontez, chauffez PAS à plus de 100 °C (212 °F) et n'incinerez PAS.

Pour remplacer la batterie, écarter le boîtier pour l'ouvrir au milieu puis de chaque côté à l'aide de la pince pour pare-soleil. Insérez la batterie de remplacement en mettant le côté positif (+) vers le haut. Remplacez les batteries seulement avec des batteries CR2032 de 3 V. Jetez les batteries usées de façon appropriée.



Dépannage

Tableau des diagnostics

Votre ouvre-porte de garage est programmé pour s'autodiagnostiquer. Les flèches vers le HAUT et le BAS de l'ouvre-porte de garage clignotent pour indiquer les codes de diagnostics.

CODE DU DIAGNOSTIC		SYMPTÔME	SOLUTION
Flèche vers le haut clignote	Flèche vers le bas clignote		
1	1	L'ouvre-porte de garage ne ferme pas la porte.	Les capteurs d'inversion de sécurité ne sont pas installés, connectés ou les fils sont peut-être coupés. Inspectez les fils des capteurs pour vous assurer qu'ils sont connectés et ne sont pas coupés.
1	2	L'ouvre-porte de garage ne ferme pas la porte.	Il y a un court circuit ou une inversion du fil des capteurs d'inversion de sécurité. Inspectez le fil du capteur de sécurité à toutes les agrafes et les points de connexion, remplacez le fil ou corrigez la situation, au besoin.
1	3	La commande de la porte ne fonctionne pas.	Les fils de la commande de la porte sont court-circuités ou la commande de la porte fait défaut. Inspectez le fil du capteur de sécurité à toutes les agrafes et les points de connexion, remplacez le fil ou corrigez la situation, au besoin.
1	4	L'ouvre-porte de garage ne ferme pas la porte.	Les capteurs d'inversion de sécurité ne sont pas alignés correctement ou étaient momentanément obstrués. Alignez les deux capteurs correctement jusqu'à ce que les deux voyants à DEL soient allumés en continu. Assurez-vous que rien n'est suspendu ou installé sur la porte de façon à interrompre le chemin du capteur lorsque la porte ferme.
1	5	La porte bouge de 15-20 cm (6-8 po), s'arrête et remonte.	Ouvrez et fermez la porte manuellement. Vérifiez si elle est pliée ou s'il y a des obstructions comme un ressort brisé ou le dispositif de verrouillage et corrigez la situation, au besoin. Vérifiez les connexions des fils au module de déplacement et à la carte mère. Remplacez le module de déplacement, au besoin.
		Il n'y a aucun mouvement, seulement un clic.	Ouvrez et fermez la porte manuellement. Vérifiez si elle est pliée ou s'il y a des obstructions comme un ressort brisé ou le dispositif de verrouillage et corrigez la situation, au besoin. Remplacez la carte mère si nécessaire.
		L'ouvre-porte émet un son de bourdonnement pendant 1 à 2 secondes sans mouvement.	Ouvrez et fermez la porte manuellement. Vérifiez si elle est pliée ou s'il y a des obstructions comme un ressort brisé ou le dispositif de verrouillage et corrigez la situation, au besoin. Remplacez le moteur, au besoin.
1	6	La porte continue à glisser après s'être arrêtée complètement.	Programmez la course jusqu'à la position de glissement ou faites équilibrer la porte par un technicien qualifié en systèmes de portes.
2	1-5	Aucun mouvement ou son.	Remplacez la carte mère.
3	2	Incapacité à régler le déplacement ou à garder la position.	Vérifiez le module de déplacement pour avoir le bon assemblage, remplacez-le, au besoin.
3	3	La DEL de statut de la batterie clignote constamment en vert. *	Erreur du circuit de la batterie de secours, remplacez la carte mère. *(le cas échéant)

Dépannage

CODE DU DIAGNOSTIC		SYMPTÔME	SOLUTION
Flèche vers le haut clignote 4	Flèche vers le bas clignote 1-4	La porte bouge, s'arrête et change de direction. L'ouvre-porte émet des bips et les voyants clignotent.	Ouvrez et fermez la porte manuellement. Vérifiez si elle est pliée ou s'il y a des obstructions comme un ressort brisé ou le dispositif de verrouillage et corrigez la situation, au besoin. Si la porte plie, ou colle, communiquez avec un technicien qualifié en systèmes de portes. Si la porte ne se bloque pas ou ne se coince pas, essayez de reprogrammer le déplacement (voir page 33).
4	5	L'ouvre-porte fonctionne environ pour un déplacement de 15 à 30 cm (6 à 8 po), s'arrête et change la direction du déplacement.	Erreur de communication avec le module de déplacement. Vérifiez les connexions du module de déplacement, remplacez le module de déplacement, au besoin.
4	6	L'ouvre-porte de garage ne ferme pas .	Les capteurs d'inversion de sécurité ne sont pas alignés correctement ou étaient momentanément obstrués. Aligned correctement les deux capteurs pour vous assurer que les deux voyants à DEL sont allumés en continu et ne clignotent pas. Assurez-vous que rien n'est suspendu ou installé sur la porte de façon à interrompre le chemin du capteur lorsque la porte ferme.

L'ouvre-porte de garage n'accède PAS au mode d'APPRENTISSAGE Wi-Fi® :

- Après l'installation initiale de l'ouvre-porte de garage, ce dernier doit effectuer un cycle complet (ouverture et fermeture) avant que le mode d'APPRENTISSAGE Wi-Fi puisse être activé.
- Si il y a récemment eu une panne d'électricité, l'ouvre-porte de garage doit effectuer un cycle complet avant que le mode d'APPRENTISSAGE Wi-Fi puisse être activé.

Voir page 39 pour activer le mode d'APPRENTISSAGE Wi-Fi.

Impossible de connecter l'ouvre-porte de garage au réseau Wi-Fi domestique :

- Assurez-vous que le numéro de série de myQ® est saisi correctement et essayez à nouveau. Les caractères de myQ® sont de A à F et 0 à 9 seulement.
- Faible signal Wi-Fi dans le garage. Assurez-vous que le signal Wi-Fi atteint l'opérateur, voir page 4 ou visitez LiftMaster.com/Support pour plus d'information.

Ma porte ne ferme pas :

Le capteur d'inversion de sécurité doit être connecté et aligné correctement avant que l'ouvre-porte de garage fasse descendre la porte.

- Vérifiez si la porte est pliée, ou obstruée tout au long du rail jusqu'au sol du garage.
- Le capteur d'inversion de sécurité doit être connecté et aligné correctement avant que l'ouvre-porte de garage fasse descendre la porte.
 - Vérifiez que les capteurs d'inversion sont installés et alignés correctement et qu'ils ne sont pas obstrués.

La télécommande de mon voisin ouvre ma porte de garage :

Effacez la mémoire de votre ouvre-porte de garage et reprogrammez la ou les télécommandes.

Le Homelink® de mon véhicule ne se programme pas avec mon ouvre-porte de garage :

Selon la marque, le modèle et l'année de votre véhicule, vous aurez peut-être besoin d'un adaptateur externe. Visitez www.homelink.com pour obtenir des renseignements supplémentaires.

Accessoires

878MAX



Entrée sans clé sans fil MAX :

Pour utilisation à l'extérieur de la maison pour permettre l'accès au garage en utilisant un code à 4 chiffres. Fonctionne avec TOUS les ouvre-portes LiftMaster de 1993 à maintenant.

893MAX



Télécommande MAX à 3 boutons :

Compatible avec les ouvre-portes de garage LiftMaster fabriqués depuis 1993. Comprend une pince pour le pare-soleil.

880LMW



Panneau de commande intelligent :

Affiche la température, l'heure et les diagnostics du système, comprend une barre de poussée pour ouvrir et fermer la porte et serrure pour davantage de sécurité. Compatible avec le Wi-Fi et Security+ 2.0

819LMB



myQ® Home Bridge :

Ajoutez Apple® HomeKit™ compatible avec votre à votre myQ® pour activer l'ouvre-porte de garage. Utilisez Siri® pour ouvrir et fermer votre porte de garage ainsi que pour en vérifier l'état.

Apple est une marque de Apple Inc., déposée aux États-Unis et autres pays. HomeKit est une marque de Apple Inc.

891LM



Télécommande à 1 seul bouton :

Compatible avec les ouvre-portes de garage LiftMaster fabriqués depuis 1993. Comprend une pince pour le pare-soleil.

882LMW



Panneau de commande à plusieurs fonctions :

Compatible avec le Wi-Fi et Security+ 2.0

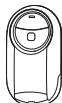
485LM



Batterie 12 V pour le système de secours :

Permet d'alimenter l'ouvre-porte de garage.

374UT



Télécommande universelle mini :

La télécommande universelle mini peut être programmée pour activer jusqu'à deux produits comme l'ouvre-porte de garage, les commandes de lumières myQ®, l'ouvre-barrière ou un opérateur de porte commerciale.

380UT



Télécommande universelle :

La télécommande universelle peut être programmée pour activer jusqu'à deux produits comme l'ouvre-porte de garage, l'opérateur de barrière ou un opérateur de porte commerciale.

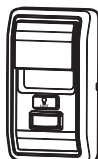
881LMW



Panneau de commande à détection de mouvement avec commande de minuterie de fermeture :

Commande de porte multifonction avec détecteur de mouvement qui allume automatiquement les lumières de l'ouvre-porte lorsqu'il détecte une personne entrant dans le garage. Compatible avec le Wi-Fi et Security+ 2.0

886LMW



Panneau de commande à détection de mouvement :

Commande de porte multifonction avec détecteur de mouvement qui allume automatiquement les lumières de l'ouvre-porte lorsqu'il détecte une personne entrant dans le garage. Compatible avec le Wi-Fi et Security+ 2.0

Garantie

PÉRIODE DE GARANTIE					
Modèles	Pièces	Moteur	Accessoires	Courroie	Batterie de secours*
8160W 8165W 8164W	1 an	4 ans	1 an	Sans objet	Sans objet
8160WB	1 an	4 ans	1 an	Sans objet	1 an
8155W	1 an	4 ans	1 an	10 ans	Sans objet

Le bon fonctionnement de ce produit dépend du respect des instructions en ce qui a trait l'installation, le fonctionnement, l'entretien et les tests. Le fait de ne pas se conformer strictement à ces instructions annulera la présente garantie limitée dans son intégralité.

Si, pendant la période de garantie limitée, ce produit semble présenter un défaut couvert par cette garantie limitée, appelez le 1-800-528-9131, sans frais, avant de démonter ce produit. Lorsque vous appelez, vous serez avisé des instructions de désassemblage et d'expédition. Vous pourrez ensuite envoyer le produit ou ses pièces en port payé et assuré selon les instructions de notre centre de services pour la réparation sous garantie. Veuillez inclure une brève description du problème et la preuve d'achat comportant une date avec tout produit retourné pour réparation sous garantie. Les produits retournés au Vendeur pour réparation en vertu de la garantie et dont la défektivité et la couverture de la garantie sont confirmés dès la réception par le Vendeur seront réparés ou remplacés (à l'entière discrétion du Vendeur) sans frais pour vous et retournés en envoi pré-payé. Les pièces défectueuses seront réparées ou remplacées avec des pièces neuves ou remises à neuf à la seule discrétion du vendeur. [Vous êtes responsable de tous les frais encourus pour retirer et/ou réinstaller le produit ou tout composant].

TOUTE GARANTIE TACITE POUR CE PRODUIT, Y COMPRIS SANS S'Y LIMITER, TOUTE GARANTIE TACITE DE QUALITÉ COMMERCIALE ET D'ADAPTATION À UNE QUELCONQUE UTILISATION, EST LIMITÉE À LA DURÉE DE LA GARANTIE LIMITÉE CI-DESSUS POUR LES PIÈCES CONNEXES ET LES GARANTIES NON TACITES EXISTERONT OU SERONT APPLIQUÉES APRÈS CETTE PÉRIODE. Certains États et Provinces ne permettent pas de limiter la durée d'une garantie implicite, de sorte que la limitation ci-dessus peut ne pas s'appliquer à vous. LA PRÉSENTE GARANTIE LIMITÉE NE COUVRE PAS LES DOMMAGES NON-DÉFECTUEUX, LES DOMMAGES CAUSÉS PAR UNE INSTALLATION, UNE UTILISATION OU UN ENTRETIEN INAPPROPRIÉS (DONT, SANS TOUJOURS S'Y LIMITER, UN ABUS, UNE UTILISATION INCORRECTE, UN MANQUE D'ENTRETIEN RAISONNABLE ET NÉCESSAIRE, DES RÉPARATIONS NON AUTORISÉES OU TOUTE MODIFICATION DE CE PRODUIT), LES FRAIS DE MAIN-D'ŒUVRE POUR LA RÉINSTALLATION D'UNE UNITÉ RÉPARÉE OU REMPLACÉE, LE REMPLACEMENT D'ARTICLES CONSOMMABLES (PAR EXEMPLE, LES PILES DES TÉLÉCOMMANDES ET LES AMPOULES), OU LES UNITÉS INSTALLÉES POUR UN USAGE NON RÉSIDENTIEL. LA PRÉSENTE GARANTIE LIMITÉE NE COUVRE PAS LES PROBLÈMES LIÉS À LA PORTE DE GARAGE OU À LA QUINCAILLERIE DE LA PORTE DE GARAGE, Y COMPRIS, MAIS SANS S'Y LIMITER, LES RESSORTS DE LA PORTE, LES ROULEAUX DE LA PORTE, L'ALIGNEMENT DE LA PORTE OU LES CHARNIÈRES. LA PRÉSENTE GARANTIE LIMITÉE NE COUVRE PAS NON PLUS LES PROBLÈMES CAUSÉS PAR DES INTERFÉRENCES. EN AUCUN CAS, LE VENDEUR NE POURRA ÊTRE TENU RESPONSABLE DES DOMMAGES CONSÉCUTIFS, ACCIDENTELS OU SPÉCIAUX LIÉS À L'UTILISATION OU À L'IMPOSSIBILITÉ D'UTILISER CE PRODUIT. EN AUCUN CAS, LA RESPONSABILITÉ DU VENDEUR EN CAS DE RUPTURE DE GARANTIE, DE RUPTURE DE CONTRAT, DE NÉGLIGENCE OU DE RESPONSABILITÉ STRICTE NE POURRA DÉPASSER LE COÛT DU PRODUIT COUVERT PAR LES PRÉSENTES. PERSONNE N'EST AUTORISÉ À ASSUMER EN NOTRE NOM QUELQUE AUTRE RESPONSABILITÉ RELATIVE AVEC LA VENTE DE CE PRODUIT.

Certains États et Provinces n'autorisant pas l'exclusion ou la limitation des dommages consécutifs, accessoires ou spéciaux, il est possible que la limitation ou l'exclusion susmentionnée ne s'applique pas à vous. Cette garantie vous donne des droits légaux spécifiques et vous pouvez également avoir d'autres droits, qui varient d'une province à l'autre.

* Le cas échéant

Guide de sécurité et d'entretien de l'ouvre-porte de garage automatique

Sécurité de l'ouvre-porte de garage - Une décision automatique

La porte de garage est le plus grand objet mobile d'une maison. Le réglage inapproprié de la porte de garage et de l'ouvre-porte peut entraîner une force mortelle lorsque la porte ferme, ce qui pourrait faire en sorte qu'un enfant ou un adulte soit coincé et se solder par des blessures ou la mort.

L'installation, l'utilisation, l'entretien et les tests appropriés de la porte de garage et de l'ouvre-porte appropriés sont nécessaires pour avoir un système sécuritaire et sans problème. Une utilisation imprudente ou permettre à des enfants de jouer avec les commandes de l'ouvre-porte ou de l'utiliser sont également des situations dangereuses qui peuvent mener à des conséquences tragiques. Quelques précautions simples peuvent protéger votre famille et vos amis de blessures possibles. Veuillez examiner les conseils de sécurité et d'entretien qui se trouvent dans le présent guide et le garder pour consultation future. Vérifiez le fonctionnement de votre porte de garage et de votre ouvre-porte pour vous assurer qu'ils fonctionnent de façon sécuritaire et sans problème. Assurez-vous de lire toutes les données importantes sur la sécurité qui se trouvent dans votre manuel d'ouvre-porte, car elles contiennent davantage de détails et d'éléments à prendre en considération que ce qui peut être fournis dans le présent guide.

L'ouvre-porte de garage n'est pas un jouet.

Parlez avec vos enfants de la sécurité relative à la porte de garage et à l'ouvre-porte. Expliquez les dangers de se retrouver coincé sous la porte.



Tenez-vous loin d'une porte en mouvement.



Le bouton poussoir mural doit être hors de portée des enfants, à au moins 1,5 m (5 pieds) de la surface la plus proche et éloigné de toute pièce mobile. Installez et utilisez le bouton à un endroit où vous pouvez clairement voir la porte de garage se fermer.



Gardez TOUJOURS les émetteurs et les télécommandes hors de la portée des enfants. Ne laissez pas les enfants jouer avec les émetteurs ou d'autres télécommandes ou les utiliser.



Gardez la porte en vue jusqu'à ce qu'elle se ferme complètement lorsque vous utilisez le bouton-poussoir ou l'émetteur mural.

L'entretien de routine peut éviter des tragédies

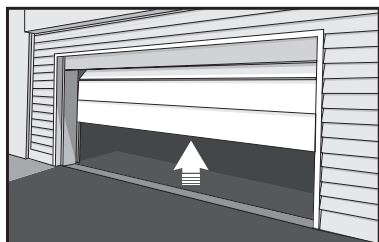
Faites des inspections et des tests de votre porte de garage et votre système d'ouvre-porte tous les mois en tant que partie de votre routine. Relisez le guide de l'utilisateur de la porte ainsi que de l'ouvre-porte. Si vous n'avez pas de guide de l'utilisateur, communiquez avec le fabricant et demandez l'exemplaire pour votre modèle précis. Recherchez le numéro de modèle de votre ouvre-porte au dos du bloc d'alimentation.

⚠ AVERTISSEMENT - LES RESSORTS SONT SOUS TENSION ÉLEVÉE. SEULES LES PERSONNES QUALIFIÉES DEVRAIENT EN FAIRE LE RÉGLAGE.



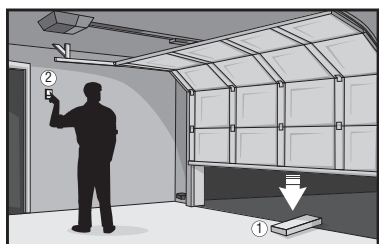
Vérifiez visuellement la porte et l'installation :

- En commençant avec la porte en position fermée, utilisez la déconnexion manuelle sur l'ouvre-porte pour déconnecter la porte.
- Vérifiez s'il y a des signes d'usure ou de dommage sur les charnières, les galets, les ressorts et les panneaux de la porte.
- Ces pièces peuvent nécessiter une lubrification périodique. Consultez le guide du propriétaire pour connaître l'entretien suggéré.
- S'il y a des signes de dommages évidents, communiquez avec un technicien qualifié en systèmes de portes pour obtenir de l'aide.
- Vérifiez que la hauteur de l'œil photo n'est pas supérieure à 6 po du sol du garage.



Effectuez un test de la porte pour vérifier qu'elle fonctionne correctement :

- Ouvrez et fermez manuellement la porte à l'aide des poignées ou de points de prise appropriés.
- La porte devrait bouger librement sans difficulté.
- **La porte doit s'équilibrer et rester partiellement ouverte à 3-4 pieds au-dessus du sol.**
- Si vous détectez des signes de fonctionnement inadéquats, communiquez avec un technicien qualifié en systèmes de porte pour obtenir de l'aide.



Effectuez un test des fonctions de sécurité de l'ouvre-porte :

- Reconnectez l'ouvre-porte à la porte en utilisant la déconnexion manuelle et ouvrez la porte.
- Placez un bloc de 2x4 po à plat dans le chemin de la porte (1) et essayez de la fermer (2). La porte devrait s'arrêter lorsqu'elle entre en contact avec le bloc de 2x4 et remonter.
- Obstruez le capteur photoélectrique en agitant un objet devant le capteur essayez de fermer la porte. La porte ne doit pas se fermer si le bouton-poussoir mural n'est pas maintenu manuellement pendant le fonctionnement.
- Si l'ouvre-porte ne fonctionnent pas comme que décrit, communiquez avec un technicien qualifié en systèmes de portes pour obtenir de l'aide.



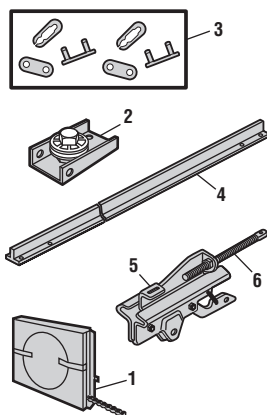
Pièces détachées

Modèles 8160W, 8160WB, 8164W et 8165W

Pour le rail carré, voir les instructions incluses avec le LMSSRKIT.

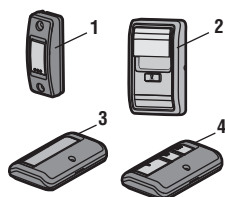
PIÈCES D'ASSEMBLAGE DE RAIL

Description	Numéro de pièce
1 Chaîne - pour porte de 7 pi Chaîne - pour porte de 8 pi Chaîne - pour porte de 10 pi	041D3484 041D3483 041D3485
2 Support pour la chaîne de poulie	041A4813
3 Lien maître	004A1008
4 Rail d'une seule pièce 2,1 m (7 pi) Rail d'une seule pièce 2,4 m (8 pi) Rail d'une seule pièce 3 m (10 pi)	1707LM 1708LM 1710LM
5 L'assemblage du chariot comprend : Arbre fileté (1), écrous (2), rondelle (1), axe à épaulement (1), anneau (1), maillon principal (1), extension de chaîne	041A3489
6 Arbre fileté du chariot	041A6689
Non illustré	
Graisse pour rail	K083A0011-1



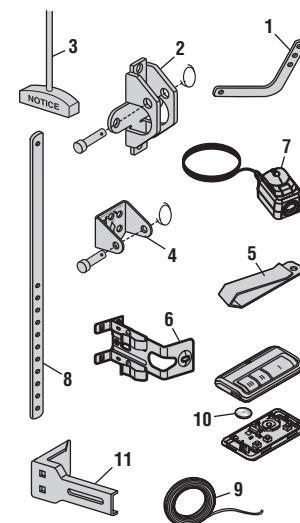
ACCESSOIRES

Description	Numéro de pièce
1 Commande de porte à bouton-poussoir Modèle 8164W	883LMW
2 Panneau de commande à plusieurs fonctions Modèles 8160W, 8160WB, et 8165W	882LMW
3 Télécommande à 1 bouton Modèle 8164W	891LM
4 Télécommande à 3 boutons Modèles 8160W, 8160WB, et 8165W	893LM



PIÈCES D'INSTALLATION

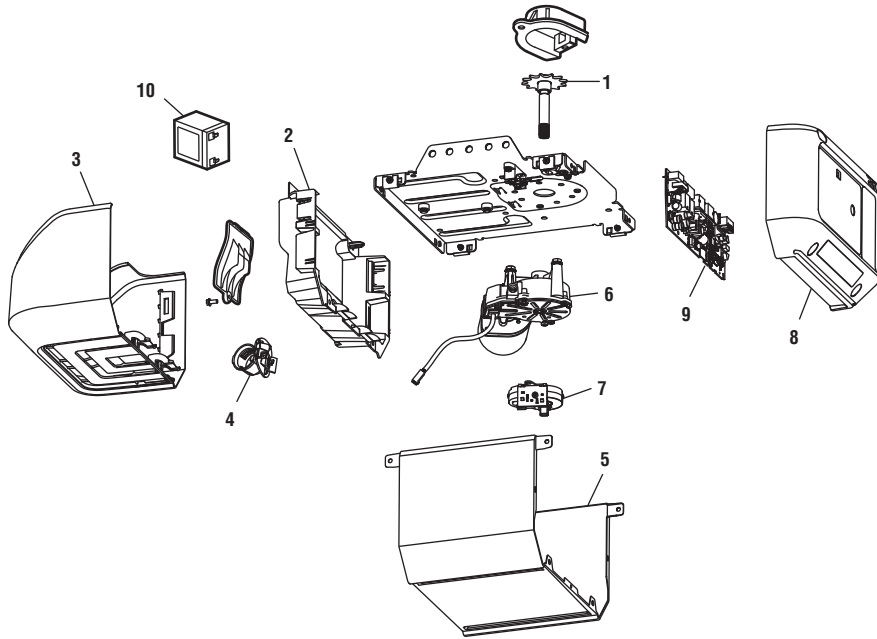
Description	Numéro de pièce
1 Bras de porte incurvé	041B0035B
2 Support de porte, axe à épaulement et attache	041A5047
3 Corde et poignée de déclenchement d'urgence	041A2828
4 Support de linteau avec axe à épaulement et fixation	041A4353
5 Clip de pare-soleil pour la télécommande	K029B0137
6 Support pour le capteur de sécurité	041-0155-000
7 Ensemble de capteurs de sécurité muni de capteurs d'envoi et de réception et 2 x 0,9 m (3 pi) de fils conducteurs	041-0136-000
8 Bras de porte droit	4178B0034B
9 Fil blanc et rouge/blanc	041B4494-1
10 Batterie au lithium 3 V	K010A0020
11 Support d'extension (optionnel)	041A5281-1
Non illustré	
Installation du sac de matériel	041A2770-6
Guide d'utilisation	114-5427B



Pièces détachées

Modèles 8160W et 8160WB

PIÈCES DÉTACHÉES DE L'OUVRE-PORTE DE GARAGE

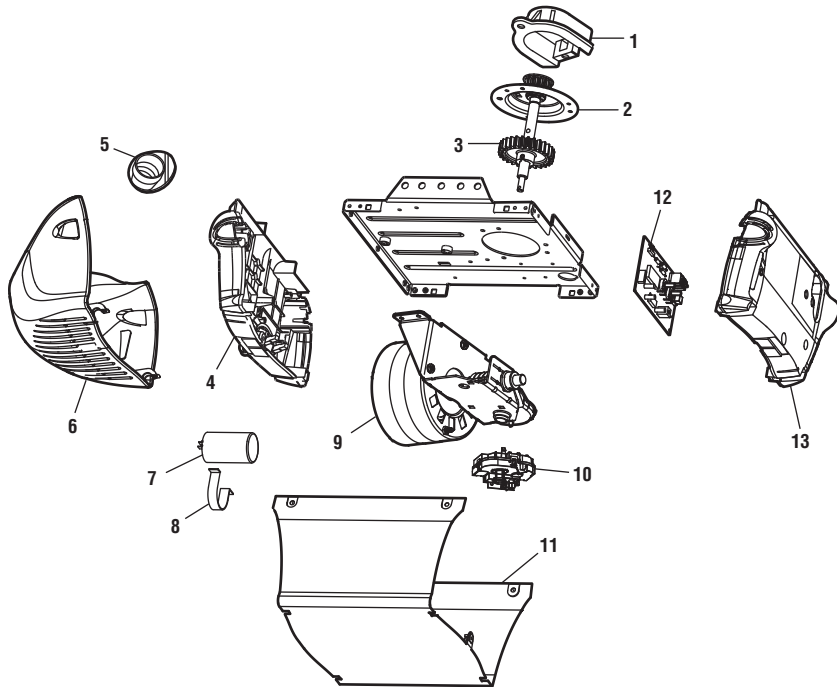


Description	Numéro de pièce
1 Pignon et couvercle de pignon	041B5348-2
2 Panneau d'extrémité avec douille Modèle 8160W	041A7756-1
Modèle 8160WB	041A7618
3 Lentille de lampe	041A7562
4 Douille	041C0279
5 Couvercle	041-0133
6 Moteur avec module de déplacement	041D8006-1
7 Module de déplacement	041D8071-4
8 Panneau d'extrémité de la carte mère	041D0233-3
9 Carte mère	050DCTB
10 Batterie de secours (modèle 8160WB uniquement)	485LM
Non illustré	
Harnais de câbles	041D9069
Transformateur Modèle 8160W	041A7635-1
Modèle 8160WB	041D0277-1
Câble de ligne	041B4245-1
Bornier	041A3150

Pièces détachées

Modèles 8164W et 8165W

PIÈCES DÉTACHÉES DE L'OUVRE-PORTE DE GARAGE



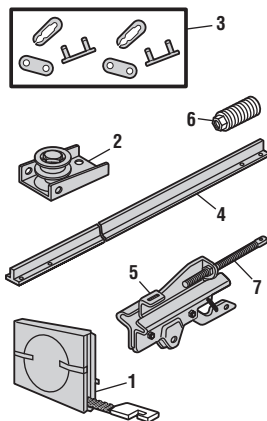
Description	Numéro de pièce
1 Couvercle de pignon	031D0380M
2 Engrenage et pignon	041C4220A
3 Entraînement et vis sans fin	041A2817
4 Panneau frontal avec toutes les étiquettes	041A8393
5 Douille	041C0279
6 Lentille de lampe	K108D0079M
7 Condensateur	030B0532-1
8 Support du condensateur	K012A0373
9 Moteur universel	041D7440
10 Module de déplacement	041D7742-7
11 Couvercle	041D9018
12 Carte mère	050ACTWF
13 Panneau d'extrémité de la carte mère	041D0239-1
Non illustré	
Câble de ligne	041B4245-1
Bornier	041A3150
Harnais de câbles	041A7946

Pièces détachées

Modèle 8155W

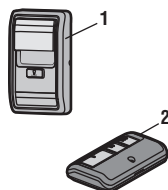
PIÈCES D'ASSEMBLAGE DE RAIL

Description	Numéro de pièce
1 Courroie - pour porte de 7 pi Courroie - pour porte de 8 pi Courroie - pour porte de 10 pi	041A5434-11A 041A5434-13A 041A5434-14A
2 Support de la courroie de poulie	041B5424
3 Lien maître	004A1008
4 Rail d'une seule pièce 2,1 m (7 pi) Rail d'une seule pièce 2,4 m (8 pi) Rail d'une seule pièce 3 m (10 pi)	2777BD 2778BD 2770BD
5 L'assemblage du chariot comprend : Liaison principale (2), axe à épaulement (1), anneau (1), clip de courroie (1), Arbre fileté (1), et assemblage du tendeur (1)	041B3869-3A
6 Assemblage du tendeur	041B4103
7 Arbre fileté du chariot	041A6689



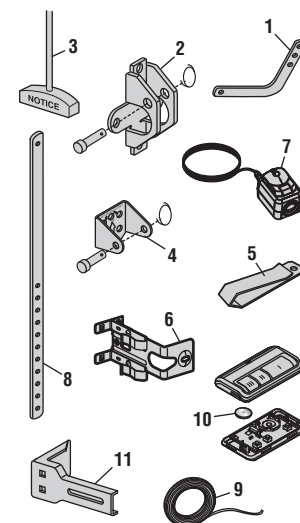
ACCESSOIRES

Description	Numéro de pièce
1 Panneau de commande multifonction	882LMW
2 Télécommande à 3 boutons	893LM



PIÈCES D'INSTALLATION

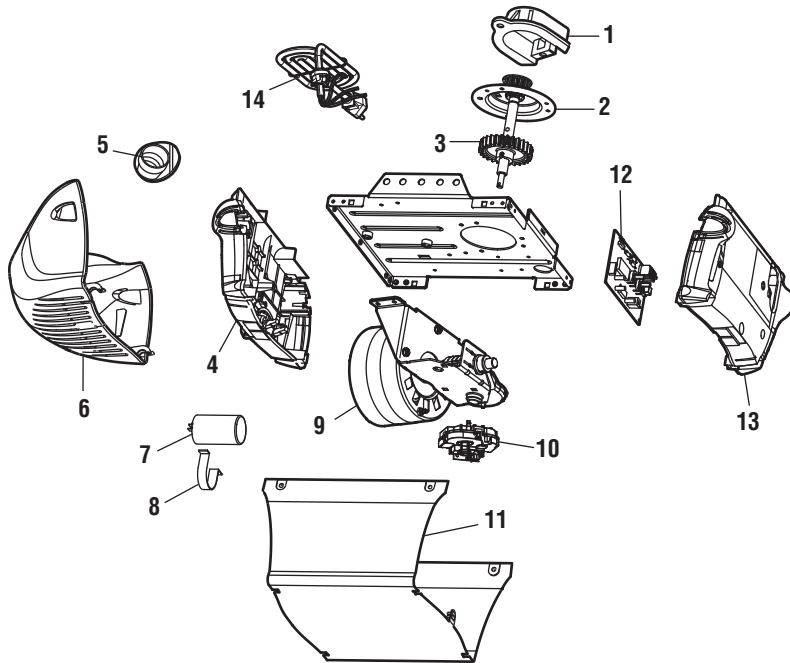
Description	Numéro de pièce
1 Bras de porte incurvé	041B0035B
2 Support de porte, axe à épaulement et attache	041A5047-1
3 Corde et poignée de déclenchement d'urgence	041A2828
4 Support de linteau avec axe à épaulement et fixation	041A4353-1
5 Clip de pare-soleil pour la télécommande	K029B0137
6 Support pour le capteur de sécurité	041-0155-000
7 Ensemble de capteurs de sécurité muni de capteurs d'envoi et de réception et 2 x 0,9 m (3 pi) de fils conducteurs	041-0136-000
8 Bras de porte droit	4178B0034B
9 Fil blanc et rouge/blanc	041B4494-1
10 Batterie au lithium 3 V	K010A0020
11 Support d'extension (optionnel)	041A5281-1
Non illustré	
Installation du sac de matériel	041A2770-6
Guide d'utilisation	114-5427B



Pièces détachées

Modèle 8155W

PIÈCES DÉTACHÉES DE L'OUVRE-PORTE DE GARAGE



Description	Numéro de pièce
1 Couvercle de pignon	041A4371
2 Engrenage et pignon	041A4885-4
3 Entraînement et vis sans fin	041A2817
4 Panneau frontal avec toutes les étiquettes	041A8393
5 Douille	041C0279
6 Lentille de lampe	K108D0079M
7 Condensateur	030B0532-1
8 Support du condensateur	K012A0373
9 Moteur universel	041D7440
10 Module de déplacement	041D7742-7
11 Couvercle	041D9018
12 Carte mère	050ACTWF
13 Panneau d'extrémité de la carte logique	041D0239-1
14 Câble de ligne	041B4245-1
Non illustré	
Harnais de câbles	041A7946
Bornier	041A3150

COORDONNÉES DE CONTACT :

Utilisez votre numéro de pièce, votre nom de pièce ou votre numéro de modèle pour trouver l'information dont vous avez besoin.

Pour les pièces, allez sur le site :

LiftMaster.com/parts

Pour obtenir de l'aide et un dépannage, allez sur le site :

support.chamberlaingroup.com

Abrepuertas de garaje Wi-Fi®

Modelos de accionamiento por cadena: 8160W 8160WB 8164W 8165W

Modelos de accionamiento por correa: 8155W

SÓLO PARA USO RESIDENCIAL



- Lea atentamente este manual y la información de seguridad.
- La puerta **NO SE CERRARÁ** a menos que el Protector System® esté conectado y bien alineado.
- Se requieren verificaciones periódicas del abrepuertas de garaje para garantizar el funcionamiento seguro.
- Este abrepuertas de garaje **SOLO** es compatible con accesorios myQ® y Security+ 2.0®.
- **NO** debe instalarse en una puerta de una sola pieza si se utilizan dispositivos o funciones que proporcionen un cierre sin supervisión. Los dispositivos y las funciones sin supervisión deben usarse **SOLO** con puertas seccionales.
- Pegue las etiquetas de advertencia en la ubicación indicada en la etiqueta.

Tabla de contenidos

Preparación	3
Inventario en la caja: modelos 8160W, 8160WB, 8164W y 8165W	6
Inventario en la caja: modelo 8155W	7
Conjunto	8
Modelos 8160W, 8160WB, 8164W* y 8165W	8
Modelo 8155W	10
Instalación	11
Instale el control de la puerta	22
Instalación del sistema Protector System	25
Alimentación	29
Ajustes	32
Batería de respaldo	35
Funcionamiento	37
Mantenimiento	45
Resolución de problemas	46
Accesorios	48
Garantía	49
Guía de seguridad y mantenimiento del abrepuertas de garaje automático	50
Piezas de repuesto	52
Modelos 8160W, 8160WB, 8164W y 8165W	52
Modelo 8155W	56

Preparación

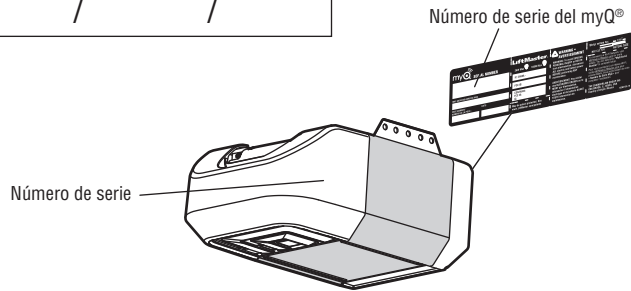
Número de serie del myQ®

Escriba la información siguiente para referencia futura:

Número de serie del myQ®:

Número de serie del producto:

Fecha de compra:



Análisis de símbolos de seguridad y palabras de señalización

Este abrepuertas de garaje se ha diseñado y probado para ofrecer un servicio seguro siempre que se instale, opere, mantenga y pruebe en estricto cumplimiento de las instrucciones y advertencias de este manual.

Cuando vea estos símbolos de seguridad y palabras de señalización en las páginas siguientes, le alertarán de la posibilidad de **lesiones graves o la muerte** si no cumple con las advertencias que los acompañan. El peligro puede provenir de algo mecánico o de descarga eléctrica. Lea las advertencias detenidamente.

ADVERTENCIA

Mecánica

ADVERTENCIA

Eléctrica

Cuando vea esta palabra de señalización en las páginas siguientes, le alertará de la posibilidad de daños a la puerta de garaje o al abrepuertas de garaje si no cumple con las declaraciones de precaución que la acompañan. Léalas con atención.

PRECAUCIÓN



ADVERTENCIA: Con este producto, puede quedar expuesto a sustancias químicas, incluido el plomo, que el Estado de California reconoce como causantes de cáncer o anomalías congénitas u otros daños reproductivos. Para obtener más información, visite www.P65Warnings.ca.gov

Funcionamiento sin supervisión

La función Temporizador de cierre (TTC), la aplicación myQ® y el monitor de puerta de garaje y compuerta myQ® son ejemplos de cierres sin supervisión y SOLO deben utilizarse con puertas seccionales. Cualquier dispositivo o función que permita que la puerta se cierre sin estar en la línea de visión de la puerta se considera un cierre sin supervisión. La función Temporizador de cierre (TTC), la aplicación myQ® y cualquier otro dispositivo myQ® SOLO deben usarse con puertas seccionales.

Preparación

Antes de conectarlo con su smartphone

Supervise y controle su puerta de garaje desde cualquier lugar mediante la aplicación myQ®.

Necesitará:

- Wi-Fi® habilitado en un smartphone, una tablet o una laptop
- Conexión a Internet de banda ancha
- Señal Wi-Fi® en el garaje (**se requiere 2.4 GHz, 802.11b/g/n**)
- Contraseña para su internet doméstica (la cuenta principal del enrutador, no la red de invitados)

NO LLEGA LA SEÑAL DE WI-FI®

Asegúrese de que su dispositivo móvil esté conectado a su red Wi-Fi®. Sostenga el dispositivo móvil en el lugar donde se instalará el abrepuertas de garaje y compruebe que el Wi-Fi®.



Compruebe la intensidad de la señal. Si observa lo siguiente:



La señal Wi-Fi es potente.
El abrepuertas de garaje se conectará a su red Wi-Fi.

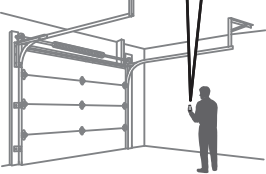


La señal Wi-Fi es débil.
El abrepuertas de garaje podría conectarse a su red Wi-Fi. De lo contrario, intente una de las opciones siguientes para mejorar la señal Wi-Fi:



No hay señal de Wi-Fi.
El abrepuertas de garaje no se conectará a su red Wi-Fi. Intente una de las opciones siguientes para mejorar la señal Wi-Fi:

- Acerque el enrutador al abrepuertas de garaje para minimizar las interferencias de las paredes y otros objetos.
- Compre un extensor de alcance del Wi-Fi



Visite support.chamberlaingroup.com para obtener más detalles.

Para obtener especificaciones de enrutadores compatibles y ayuda, visite WiFiHelp.LiftMaster.com.

Consulte la página 39 para conectar el abrepuertas de garaje a un dispositivo móvil.

Revisar la puerta

⚠️ ADVERTENCIA

Para evitar posibles LESIONES GRAVES o la MUERTE:

- Llame SIEMPRE a un técnico capacitado en sistemas de puerta si la puerta de garaje se atora, adhiere o no está balanceada. Una puerta de garaje no balanceada podría NO invertirse cuando se necesita.
- NUNCA intente aflojar, mover o ajustar la puerta de garaje, resortes de puerta, cables, poleas, soportes o su herraje; TODOS están bajo tensión EXTREMA.
- Deshabilite TODAS las trabas y quite TODAS las sogas conectadas a la puerta ANTES de instalar y operar el abrepuertas de garaje para evitar enredos.
- NO debe instalarse en una puerta de una sola pieza si se utilizan dispositivos o funciones que proporcionen un cierre sin supervisión. Los dispositivos y las funciones sin supervisión deben usarse SOLO con puertas seccionales.

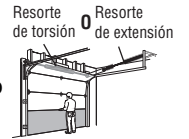
⚠️ PRECAUCIÓN

Para evitar daños en la puerta de garaje y el abrepuertas:

- Deshabilite SIEMPRE las trabas ANTES de instalar y operar el abrepuertas.
- SOLO use el abrepuertas de garaje a 120 V, 60 Hz para evitar averías y daños.

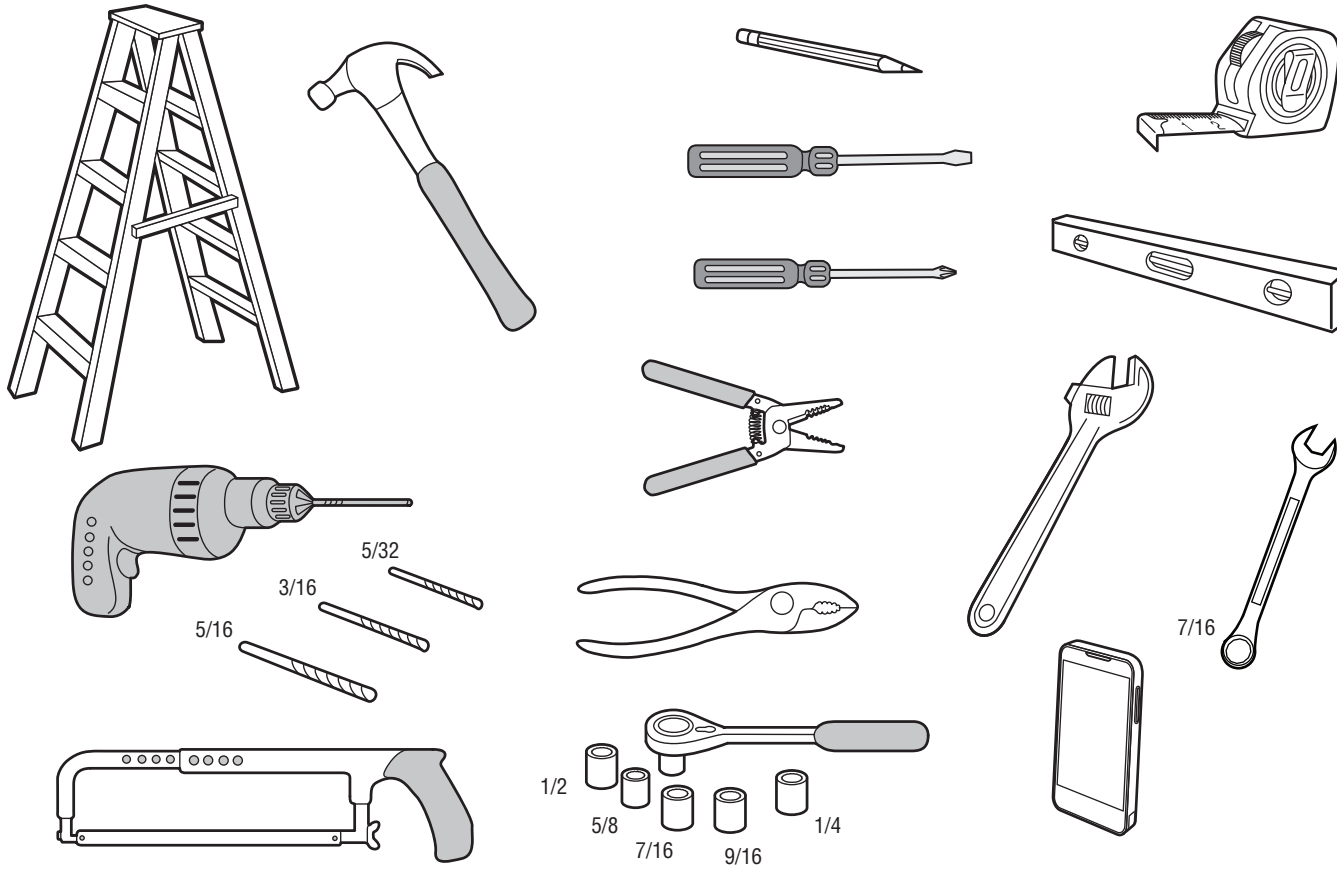
Antes de empezar:

1. Deshabilite las trabas y retire todas las sogas conectadas a la puerta de garaje.
2. Levante la puerta hasta la mitad. Suelte la puerta. Si está balanceada, debe quedarse en su lugar, sostenida por completo por los resortes.
3. Levante y baje la puerta para verificar si se adhiere o traba. Si la puerta se atora, adhiere o no está balanceada, llame a un técnico capacitado en sistemas de puerta.
4. Verifique el sello en la parte inferior de la puerta. Cualquier vacío entre el piso y la parte inferior de la puerta no debe exceder 1/4" (6 mm). De lo contrario, el sistema de inversión de seguridad podría no funcionar correctamente.
5. El abrepuertas debe instalarse arriba del centro de la puerta. Si hay una resorte de torsión o placa de soporte central en el camino del soporte del cabezal, puede instalarse dentro de los 4 pies (1.2 m) a la izquierda o derecha del centro de la puerta. Consulte la página 12.



Preparación

Herramientas necesarias



Preparación

Inventario en la caja: modelos 8160W, 8160WB, 8164W y 8165W

Los accesorios variarán según el modelo de abrepuertas de garaje comprado. En función de u modelo específico, su abrepuertas de garaje puede incluir otros accesorios. Las instrucciones para los accesorios estarán incluidas con el accesorio y no se incluyen en este manual. **Las imágenes de este manual son de referencia y su producto podrá tener un aspecto diferente.**

Para el riel cuadrado, consulte las instrucciones incluidas en el kit de rieles modelo LMSSRKIT.

- A. Soporte del cabezal
- B. Polea y soporte
- C. Soporte de la puerta
- D. Brazo curvo de la puerta
- E. Brazo recto de la puerta
- F. Carro
- G. Soga y manija de liberación de emergencia
- H. Riel
- I. Abrepuertas de garaje
- J. Cubierta del piñón
- K. Cadena
- L. Control de la puerta
- M. Cable blanco y rojo/blanco
- N. The Protector System®
Sensores de inversión de seguridad con cable blanco y blanco/negro conectado:
Sensor emisor (1), sensor receptor (1) y soportes del sensor de seguridad (2)
- O. Etiquetas de seguridad y documentación
- P. Grasa para riel
- Q. Batería de respaldo (solo para el modelo 8160WB)

ACCESORIOS SECURITY+ 2.0®

882LMW

Control de puertas multifunción

Modelos: 8160W, 8160WB y 8165W



883LMW

Control de la puerta con botón pulsador

Modelos: 8164W



893LM

Control remoto

Modelos: 8160W, 8160WB y 8165W



891LM

Control remoto



Modelo: 8164W

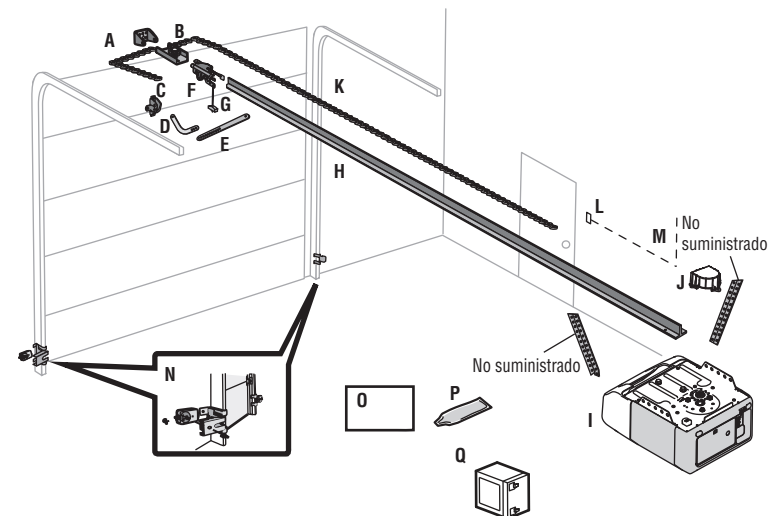
HERRAJES

Instalación

- Perno hexagonal de 5/16"-18 x 7/8" (4)
- Tornillo tirafondos de 5/16"-9 x 1-5/8" (2)
- Pasador de horquilla de 5/16" x 2-3/4" (1)
- Pasador de horquilla de 5/16" x 1-1/4" (1)
- Pasador de horquilla de 5/16" x 1" (1)
- Tuerca 5/16"-18 (4)
- Arandela de seguridad de 5/16" (4)
- Tornillo autorroscante de 1/4"-14 x 5/8" (2)
- Sujetador de anillo (3)
- Perno redondo de 1/4"-20 x 1/2" (2)
- Tuerca de mariposa de 1/4"-20 (2)

Herraje de control de la puerta

- Tornillo 6AB x 1" (2)
- Tornillo 6-32 x 1" (2)
- Anclajes para yeso (2)



Preparación

Inventario en la caja: modelo 8155W

Los accesorios variarán según el modelo de abrepuertas de garaje comprado. En función de u modelo específico, su abrepuertas de garaje puede incluir otros accesorios. Las instrucciones para los accesorios estarán incluidas con el accesorio y no se incluyen en este manual. **Las imágenes de este manual son de referencia y su producto podría tener un aspecto diferente.**

- A. Soporte del cabezal
- B. Polea y soporte
- C. Soporte de la puerta
- D. Brazo curvo de la puerta
- E. Brazo recto de la puerta
- F. Carro
- G. Soga y manija de liberación de emergencia
- H. Riel
- I. Abrepuertas de garaje
- J. Cubierta del piñón con tornillos hexagonales
- K. Cinta
- L. Control de la puerta
- M. Cable blanco y rojo/blanco
- N. The Protector System®
Sensores de inversión de seguridad con cable blanco y blanco/negro conectado:
Sensor emisor (1), sensor receptor (1) y soportes del sensor de seguridad (2)
- O. Etiquetas de seguridad y documentación
- P. Grasa para riel

ACCESORIOS SECURITY+ 2.0®

882LMW

Control de puertas multifunción



893LM

Control remoto

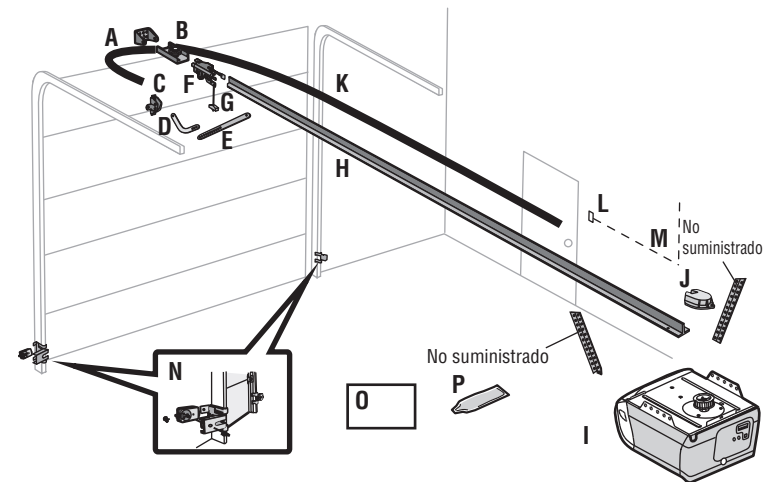


HERRAJE DE INSTALACIÓN

- Perno hexagonal de 5/16"-18 x 7/8" (4)
- Tornillo tirafondos de 5/16"-9 x 1-5/8" (2)
- Pasador de horquilla de 5/16" x 2-3/4" (1)
- Pasador de horquilla de 5/16" x 1-1/4" (1)
- Pasador de horquilla de 5/16" x 1" (1)
- Tuerca 5/16"-18 (4)
- Arandela de seguridad de 5/16" (4)
- Tornillo autorroscante de 1/4"-14 x 5/8" (2)
- Sujetador de anillo (3)
- Perno redondo de 1/4"-20 x 1/2" (2)
- Tuerca de mariposa de 1/4"-20 (2)

HERRAJE DE CONTROL DE LA PUERTA

- Tornillo 6AB x 1" (2)
- Tornillo 6-32 x 1" (2)
- Anclajes para yeso (2)



Conjunto

1 Fije el riel al abrepuertas de garaje

MODELOS 8160W, 8160WB, 8164W* Y 8165W

* Puede instalarse con un riel en T o un riel cuadrado. Para ver los pasos de montaje del riel cuadrado, consulte las instrucciones suministradas con el kit de rieles modelo LMSSRKIT. Una vez que lo haya hecho, vuelva a este manual para ver las instrucciones de instalación.

ADVERTENCIA

Para evitar posibles LESIONES GRAVES en los dedos al mover el abrepuertas de garaje:

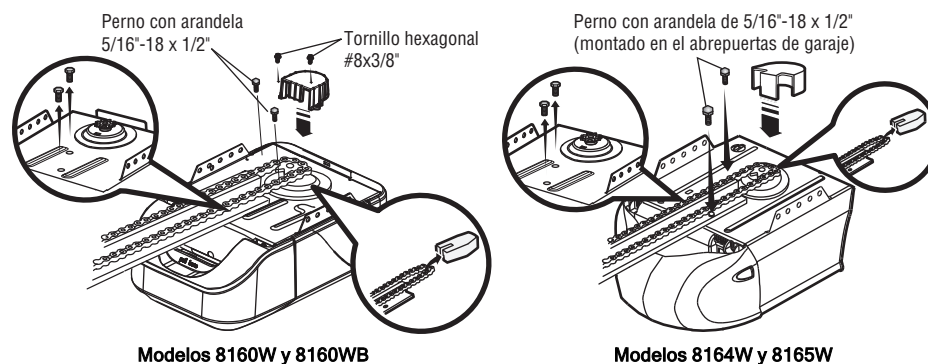
- Mantenga SIEMPRE la mano alejada de la rueda dentada mientras opera el abrepuertas.
- Ajuste con cuidado la cubierta de la rueda dentada ANTES de operar.

PRECAUCIÓN

Para evitar daños GRAVES al abrepuertas de garaje, use SOLO aquellos pernos/sujetadores montados en la parte superior del abrepuertas.

NOTA: SOLO use los pernos que quitó del abrepuertas de garaje. Coloque el abrepuertas de garaje sobre la caja del paquete para evitar que se raye.

1. Quite los dos pernos de la parte superior del abrepuertas de garaje.
2. Alinee el riel y la espuma de poliestireno sobre el piñón. Corte la cinta del riel, la cadena y la espuma de poliestireno.
3. Fije el riel con los pernos que quitó anteriormente.
4. Coloque la cadena alrededor del piñón del abrepuertas de garaje.
5. **Modelos 8160WMX y 8160WBMX:** Fije la cubierta del piñón sobre el piñón del abrepuertas de garaje con los tornillos hexagonales.
Modelos 8164WMX y 8165WMX: Instale la cubierta del piñón al apretar los lados e insertar las pestañas en las ranuras del abrepuertas de garaje.



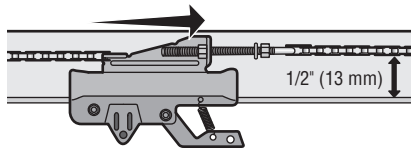
Conjunto

2 Apriete la cadena

1. Afloje la tuerca interior y la arandela de seguridad en el eje roscado del carro.
2. Apriete la tuerca exterior hasta que la cadena esté a 1/2" por encima de la base del riel en el punto medio del riel.
3. Vuelva a apretar la tuerca interior.

La holgura de la cadena es normal cuando la puerta está cerrada. No es necesario ningún reajuste.

Puede producirse ruido del piñón si la cadena queda demasiado floja. Durante el mantenimiento futuro, SIEMPRE tire de la manija de liberación de emergencia para desconectar el carro antes de ajustar la cadena.



Conjunto

1 Fije el riel al abrepuertas de garaje

MODELO 8155W

⚠ ADVERTENCIA

Para evitar posibles LESIONES GRAVES en los dedos al mover el abrepuertas de garaje:

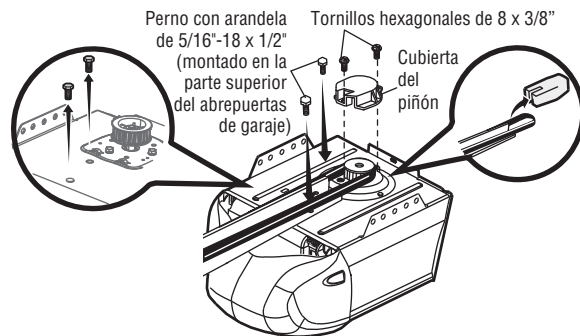
- Mantenga SIEMPRE la mano alejada de la rueda dentada mientras opera el abrepuertas.
- Ajuste con cuidado la cubierta de la rueda dentada ANTES de operar.

⚠ PRECAUCIÓN

Para evitar daños GRAVES al abrepuertas de garaje, use SOLO aquellos pernos/sujetadores montados en la parte superior del abrepuertas.

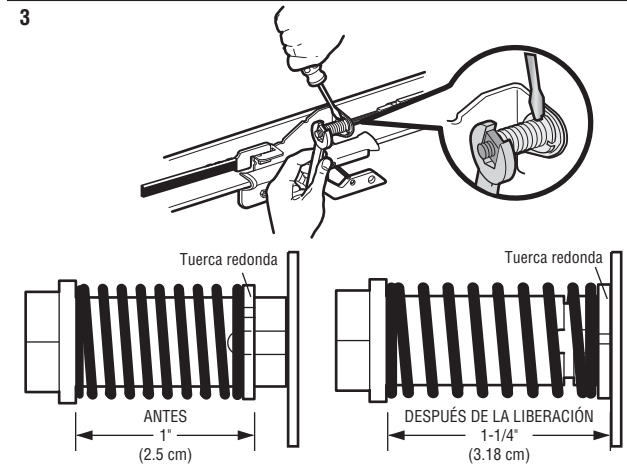
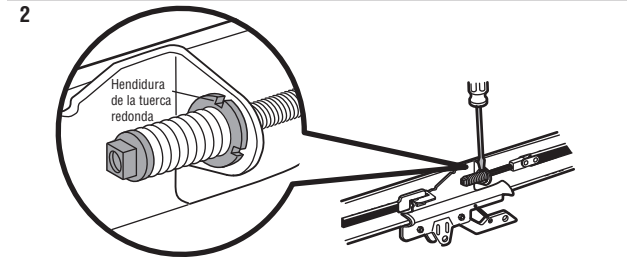
NOTA: SOLO use los pernos que quitó del abrepuertas de garaje. Coloque el abrepuertas de garaje sobre la caja del paquete para evitar que se raye.

1. Quite los dos pernos de la parte superior del abrepuertas de garaje.
2. Alinee el riel y la espuma de poliestireno sobre el piñón. Corte la cinta del riel, la correa y la espuma de poliestireno.
3. Fije el riel con los pernos que quitó anteriormente.
4. Coloque la correa alrededor del piñón del abrepuertas de garaje.
5. Fije la cubierta del piñón sobre el piñón del abrepuertas de garaje con los tornillos hexagonales.



2 Apriete la correa

1. A mano, enrosque la tuerca del carro con resorte en el eje roscado hasta que el esté apretado para los dedos contra el carro. No use ninguna herramienta.
2. Inserte la punta de un destornillador plano en una de las ranuras de la tuerca redonda y sujétela con firmeza contra el carro.
3. Apriete la tuerca del carro con resorte con una llave ajustable o una llave abierta de 7/16" un cuarto de giro hasta que el resorte se libere y ajuste la tuerca redonda contra el carro. Esto lleva el resorte a la tensión óptima de la cinta.



INSTRUCCIONES IMPORTANTES DE INSTALACIÓN

ADVERTENCIA

Para reducir el riesgo de LESIÓN GRAVE o MUERTE:

1. LEA Y SIGA TODAS LAS ADVERTENCIAS E INSTRUCCIONES DE INSTALACIÓN.
2. Instale el abrepuertas de garaje SOLO sobre una puerta bien balanceada y lubricada. Una puerta mal balanceada podría NO invertirse cuando sea necesario y causar LESIONES GRAVES o la MUERTE.
3. Un técnico capacitado en sistemas de puerta DEBE realizar TODAS las reparaciones a cables, conjuntos de resortes y otros herrajes ANTES de instalar el abrepuertas de garaje.
4. Deshabilite TODAS las trabas y quite TODAS las sogas conectadas a la puerta ANTES de instalar el abrepuertas de garaje para evitar enredos.
5. Donde sea posible, instale el abrepuertas a 7 pies (2.13 m) o más por encima del piso.
6. Monte la liberación de emergencia al alcance pero al menos a 6 pies (1.83 m) por encima del suelo y evitando el contacto con vehículos para evitar la liberación accidental.
7. NUNCA conecte el abrepuertas de garaje a la fuente de alimentación hasta que se le instruya hacerlo.
8. NUNCA use relojes, anillos o prendas sueltas cuando instale o dé servicio al abrepuertas. Podrían quedar enganchados en la puerta del garaje o en los mecanismos del abrepuertas.
9. Instale el control de la puerta de garaje montado en la pared:
 - a la vista de la puerta de garaje.
 - fuera del alcance de niños pequeños a una altura mínima de 5 pies (1.5 m) sobre pisos, descansos, escalones u otras superficies adyacentes de tránsito.
 - lejos de TODAS las piezas móviles de la puerta.
10. Coloque la etiqueta de advertencia de atrapamiento en la pared al lado del control de la puerta de garaje en una ubicación visible.
11. Coloque la liberación de emergencia/etiqueta de prueba de inversión de seguridad a simple vista en el interior de la puerta de garaje.
12. Al completar la instalación, pruebe el sistema de inversión de seguridad. La puerta DEBE invertir la marcha al contacto con un objeto de 1-1/2" (3.8 cm) de alto (o 2x4 colocado plano) en el piso.
13. Para evitar LESIONES PERSONALES GRAVES o la MUERTE por electrocución, desconecte TODA la alimentación eléctrica ANTES de realizar CUALQUIER servicio técnico o mantenimiento.
14. NO debe instalarse en una puerta de una sola pieza si se utilizan dispositivos o funciones que proporcionen un cierre sin supervisión. Los dispositivos y las funciones sin supervisión deben usarse SOLO con puertas seccionales.
15. GUARDE ESTAS INSTRUCCIONES.

Instalación

1 Determine la ubicación del soporte del cabezal

ADVERTENCIA

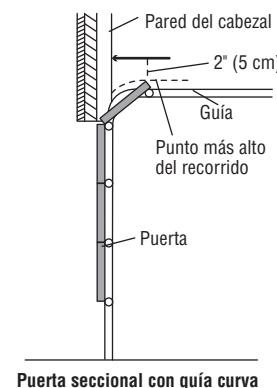
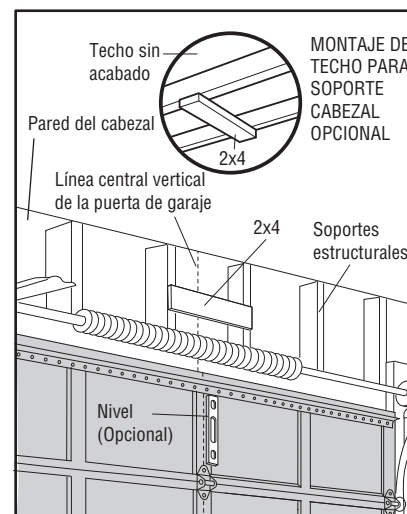
Para evitar posibles LESIONES GRAVES o la MUERTE:

- El soporte del cabezal DEBE estar sujetado RÍGIDAMENTE al soporte estructural en la pared del cabezal o en el techo, puesto que de lo contrario la puerta de garaje podría NO invertirse cuando esto se requiera. NO instale el soporte del cabezal sobre un panel de yeso.
- DEBEN usarse anclajes para concreto si se monta el soporte del cabezal o la madera de 2x4 en mampostería.
- NUNCA intente aflojar, mover o ajustar la puerta de garaje, resortes, cables, poleas, soportes o su herraje; TODOS están bajo tensión EXTREMA.
- Llame SIEMPRE a un técnico capacitado en sistemas de puerta si la puerta de garaje se atora, adhiere o no está balanceada. Una puerta de garaje no balanceada podría NO invertir la dirección de movimiento cuando se necesita.
- NO habilite el temporizador de cierre si opera puertas de una pieza u oscilantes. Se debe activar SOLO al operar una puerta seccional.

Cierre la puerta y marque la línea central vertical interior de la puerta de garaje. Extienda la línea hacia la pared del cabezal por arriba de la puerta. Puede fijar el soporte del cabezal a menos de 4 pies (1.22 m) a la izquierda o a la derecha del centro de la puerta solo si hay un resorte de torsión o una placa de soporte central en el camino; o puede fijarlo al techo cuando el espacio libre resulte mínimo. (Se puede montar en la pared boca abajo si es necesario, para ganar aproximadamente 1/2" (1 cm). Si necesita instalar el soporte del cabezal en una madera de 2x4 (en la pared o en el techo), utilice tornillos tirafondos (no suministrados) para fijar de forma segura la madera de 2x4 a los soportes estructurales.

Abra la puerta en el punto más alto del recorrido tal como se muestra. Dibuje una línea horizontal de intersección en la pared del cabezal a 2" (5 cm) por arriba del punto alto. Esta altura proporcionará un espacio libre de recorrido para el borde superior de la puerta.

NOTA: Si el número total de pulgadas excede la altura disponible en su garaje, use la altura máxima posible, o consulte la página 12 para la instalación en el techo.



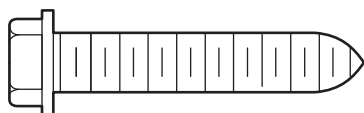
Instalación

2 Instale el soporte del cabezal

Puede conectar el soporte del cabezal a la pared por arriba de la puerta de garaje o al techo. Siga las instrucciones que sean mejores para sus requisitos particulares. **No instale el soporte del cabezal sobre un panel de yeso. Si se instala en mampostería, use anclajes para concreto (no se suministran).**

HERRAJES

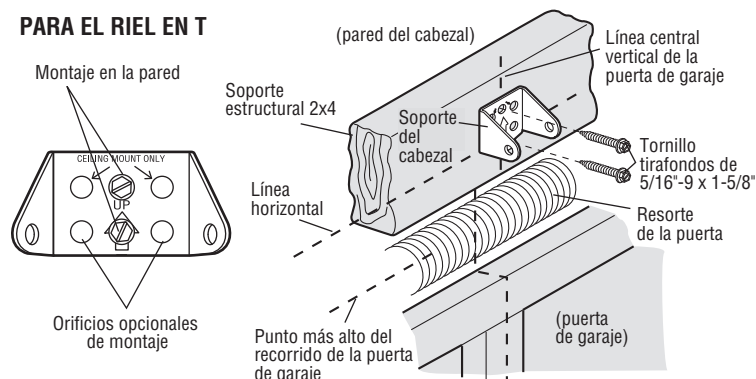
Tornillo tirafondos de 5/16"-9x1-5/8"



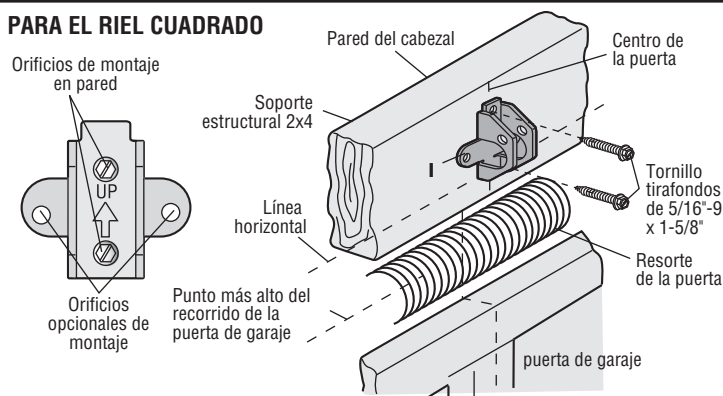
OPCIÓN A - INSTALACIÓN EN LA PARED

1. Centre el soporte en la línea central vertical con el borde inferior del soporte en la línea horizontal tal como se muestra (con la flecha orientada hacia el techo).
2. Marque la serie vertical de orificios para el soporte (no use los orificios designados para el montaje en el techo). Taladre orificios piloto de 3/16" y sujete el soporte firmemente a un soporte estructural con tornillos tirafondos.

PARA EL RIEL EN T



PARA EL RIEL CUADRADO

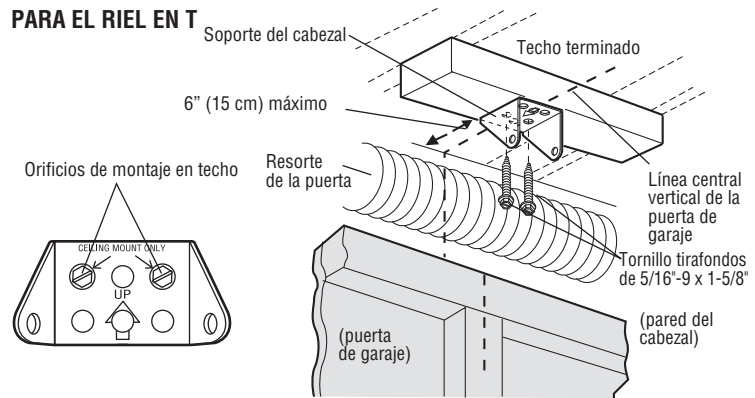


OPCIÓN B - INSTALACIÓN EN EL TECHO

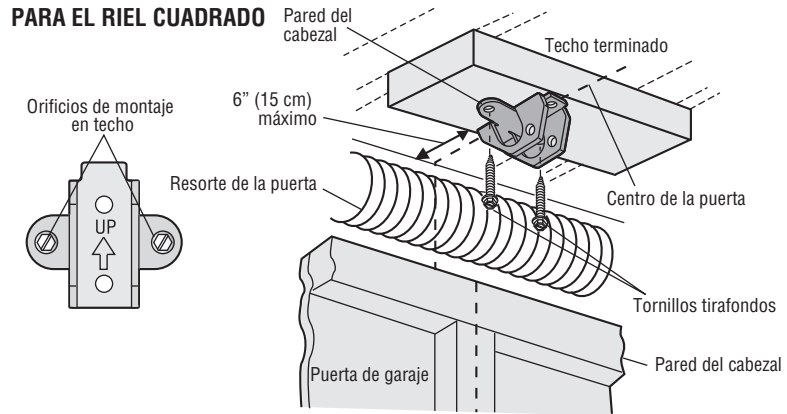
1. Extienda la línea central vertical en el techo tal como se muestra.
2. Centre el soporte en la marca vertical, a no más de 6" (15 cm) de la pared. Asegúrese de que la flecha quede orientada en dirección a la pared. El soporte puede montarse al ras contra el techo cuando el espacio libre es mínimo.
3. Marque los orificios laterales. Taladre orificios piloto de 3/16" y sujete el soporte firmemente a un soporte estructural con los herrajes provistos.

Instalación

PARA EL RIEL EN T



PARA EL RIEL CUADRADO



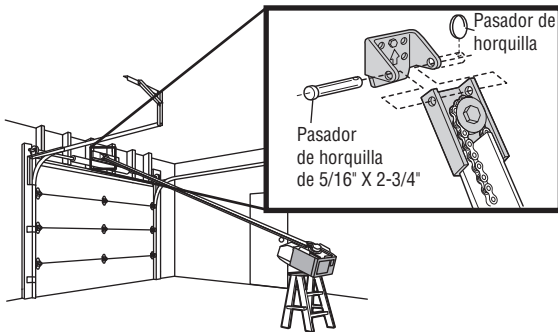
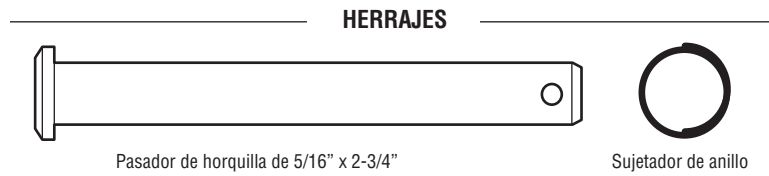
Instalación

3 Conecte el riel al soporte del cabezal

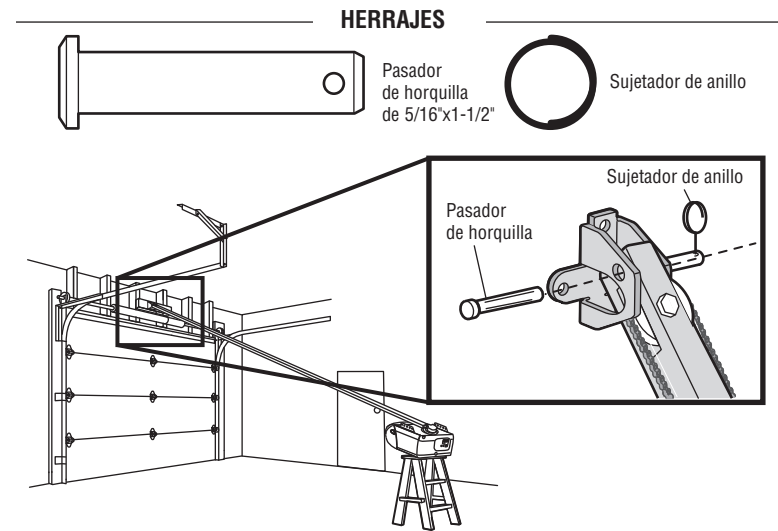
1. Alinee el riel con el soporte del cabezal. Inserte el pasador de horquilla por los orificios en el soporte del cabezal y el riel. Fije con el sujetador de anillo.

NOTA: Use el material de embalaje como base protectora para el abrepuertas de garaje.

PARA EL RIEL EN T



PARA EL RIEL CUADRADO



Instalación

4 Posicione el abrepuertas de garaje

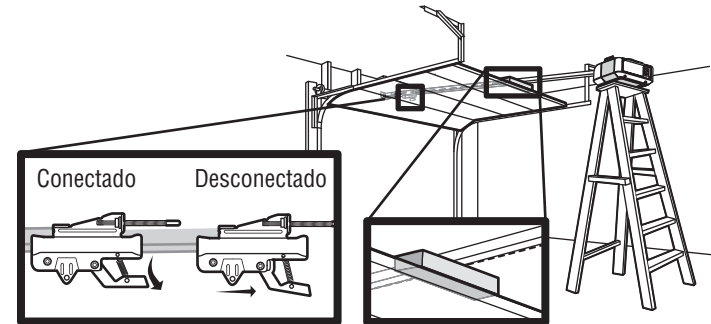
PRECAUCIÓN

Para evitar daños a la puerta de garaje, apoye el riel del abrepuertas de garaje sobre la madera de 2x4 colocada en la sección superior de la puerta.

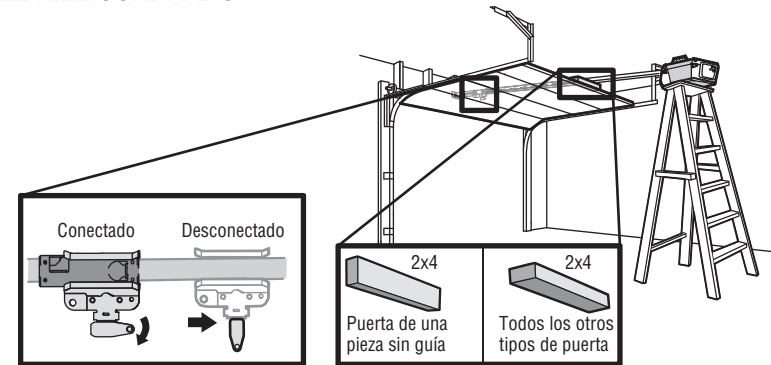
1. Retire el material de embalaje y levante el abrepuertas de garaje sobre una escalera.
2. Abra completamente la puerta y coloque una madera de 2x4 (colocada plana) debajo del riel.

Una madera de 2x4 es ideal para establecer la distancia entre el riel y la puerta. Si la escalera no tiene la altura suficiente, necesitará ayuda en este momento. Si la puerta choca con el carro cuando se levanta, tire del brazo de liberación del carro para desconectar el carro interior y exterior. Deslice el carro exterior hacia el abrepuertas de garaje. El carro puede permanecer desconectado hasta que se le indique lo contrario.

PARA EL RIEL EN T



PARA EL RIEL CUADRADO



Instalación

5 Cuelgue el abrepuertas de garaje

ADVERTENCIA

Para evitar posibles LESIONES GRAVES debido a la caída de un abrepuertas de garaje, sujételo FIRMEMENTE a los soportes estructurales del garaje. DEBEN usarse anclajes para concreto si se instala CUALQUIER soporte en mampostería.

La manera de colgar el abrepuertas de garaje dependerá de su garaje. Se muestran dos instalaciones representativas. La suya puede ser diferente. Los soportes colgantes deben estar en ángulo (Figura 1) para ofrecer un apoyo rígido. En techos acabados (Figura 2), fije un soporte de metal sólido a los soportes estructurales antes de instalar el abrepuertas. Este soporte y el herraje de sujeción no se suministran.

1. Mida la distancia desde cada lado de la unidad del motor al soporte estructural.
2. Corte ambas piezas del soporte colgante a las longitudes requeridas.
3. Taladre agujeros piloto de 3/16" para los soportes estructurales.
4. Fije un extremo de cada soporte de metal a un soporte estructural con tornillos tirafondos de 5/16"-18 x 1-7/8" (no se suministran).
5. Sujete el abrepuertas a los soportes colgantes con pernos hexagonales de 5/16"-18 x 7/8", arandelas de seguridad y tuercas.
6. Asegúrese de que el riel esté centrado sobre la puerta (o alineado con el soporte del cabezal si el soporte no está centrado sobre la puerta).
7. Quite la madera de 2x4. Opere la puerta manualmente. Si la puerta choca con el riel, levante el soporte del cabezal.

NOTA: NO vuelva a conectar la alimentación al abrepuertas por ahora.

HERRAJES

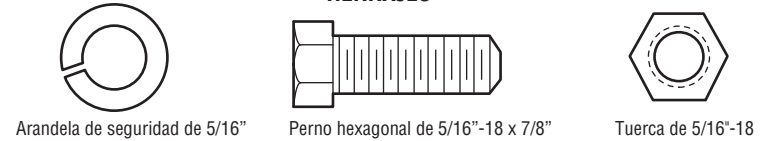


FIGURA 1

Techo sin terminar

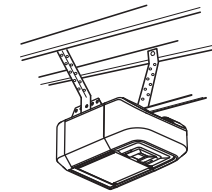


FIGURA 2

Techo terminado

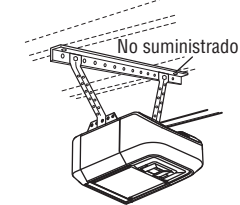
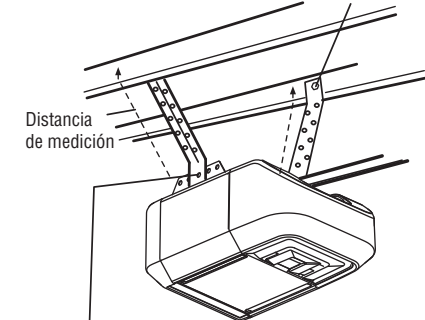


FIGURA 3

(No suministrados)
Tornillos tirafondos
de 5/16"-18x1-7/8"



Perno hexagonal de 5/16"-18x7/8", arandela de seguridad de 5/16", tuerca de 5/16"-18

Instalación

6 Instale las bombillas

PRECAUCIÓN

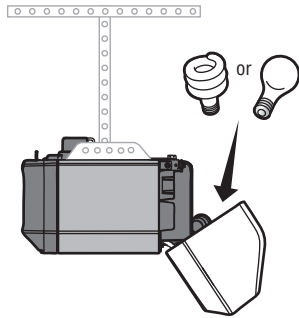
Para evitar un SOBRECALENTAMIENTO posible del panel del extremo o del portalámparas:

- Use SOLO bombillas A19.
- NO use bombillas incandescentes de más de 100 W.
- NO use bombillas fluorescentes compactas de más de 26 W (equivalente a 100 W).
- NO use bombillas halógenas.
- NO use bombillas de cuello corto o especiales.

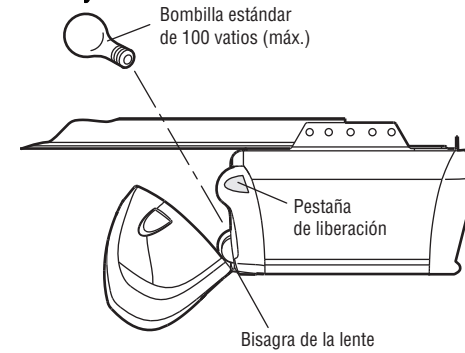
Las bombillas LED pueden causar radiointerferencia con el control remoto. Use SOLO las bombillas LED recomendadas aquí: chamberlain.com/bulb.

1. Tire el lente de la luz hacia abajo.
2. Inserte la bombilla.
3. Cierre el lente de la luz

MODELOS 8160W Y 8160WB



MODELOS 8155W, 8164W y 8165W



Instalación

7 Conecte la soga y manija de liberación de emergencia

ADVERTENCIA

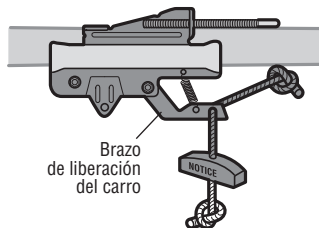
Para evitar posibles LESIONES GRAVES o la MUERTE por la caída de la puerta de garaje:

- Si es posible, use la palanca de liberación de emergencia para desenganchar el carro SOLO cuando la puerta del garaje esté CERRADA. Los resortes débiles o rotos o una puerta no balanceada podrían causar que la puerta caiga rápido o de forma repentina.
- NUNCA use la palanca de liberación de emergencia a menos que la entrada del garaje esté libre de personas y sin obstrucciones.
- NUNCA use la manija para abrir o cerrar la puerta. Si se desata el nudo de la cuerda, podría caerse.

1. Inserte un extremo de la soga de liberación de emergencia a través de la manija. Asegúrese de que "NOTICE" esté boca arriba. Fije con un nudo alto a al menos 1" (2.5 cm) desde el extremo de la cuerda para evitar que se deslice.
2. Inserte el otro extremo de la soga de liberación de emergencia a través del orificio en el brazo de liberación del carro. Monte la liberación de emergencia al alcance pero al menos a 6 pies (1.83 m) por encima del piso, evitando el contacto con vehículos para evitar la liberación accidental, y fije con un nudo simple.

NOTA: De ser necesario cortar la soga de liberación de emergencia, selle el extremo cortado con un fósforo o encendedor para evitar que se desate. Asegúrese de que la soga y manija de liberación de emergencia estén por arriba de todos los vehículos para evitar enredos.

PARA EL RIEL EN T



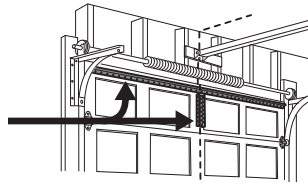
Instalación

8 Instale el soporte de la puerta

⚠ PRECAUCIÓN

Las puertas de garaje de fibra de vidrio, aluminio o de acero liviano **REQUERIRÁN** refuerzo ANTES de la instalación del soporte de la puerta. Comuníquese con el fabricante de la puerta de garaje o con el distribuidor de instalación para obtener instrucciones sobre refuerzos del abrepuertas o un kit de refuerzo. Si no se refuerza la sección superior según lo requerido de acuerdo con el fabricante de la puerta, se podría anular la garantía de la puerta.

Se necesita un refuerzo horizontal y vertical para puertas de garaje livianas (fibra de vidrio, aluminio, acero, puertas con paneles de vidrio, etc.) (no se suministra). Un soporte de refuerzo horizontal debe ser lo suficientemente largo como para ser fijado a dos o tres soportes verticales. Un soporte de refuerzo vertical debe cubrir la altura del panel superior. Comuníquese con el fabricante de la puerta de garaje o con el distribuidor de instalación para obtener instrucciones sobre refuerzos del abrepuertas o un kit de refuerzo.



NOTA: Muchos kits de refuerzo para puertas permiten la conexión directa del pasador de horquilla y el brazo de la puerta. En este caso, no necesitará el soporte de puerta; proceda al paso siguiente.

PUERTAS SECCIONALES

1. Centre el soporte de la puerta en la línea central vertical ya marcada que se utiliza para la instalación del soporte del cabezal. Observe la colocación correcta de la posición UP (SUBIDA), tal como aparece impreso dentro del soporte.
2. Posicione el borde superior del soporte de 2"-4" (5-10 cm) debajo del borde superior de la puerta, O BIEN directamente debajo de cualquier soporte estructural a través de la parte superior de la puerta.
3. Marque, taladre orificios e instale tal como sigue, dependiendo de la construcción de su puerta:

Puertas metálicas o livianas que usan un soporte de hierro angular vertical entre el soporte del panel de la puerta y en el soporte de la puerta:

- Taladre orificios de sujeción de 3/16". Fije el soporte de la puerta usando dos tornillos autorroscantes. (Figura 1)
- Como alternativa, use dos pernos de 5/16"-18x2", arandelas de seguridad y tuercas (no se suministran). (Figura 2)

Puertas metálicas, aisladas o livianas reforzadas en la fábrica:

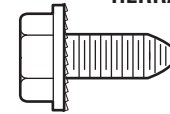
- Taladre orificios de sujeción de 3/16". Fije el soporte de la puerta usando los tornillos autorroscantes. (Figura 3)

Puertas de madera:

- Use los orificios para el soporte de la puerta superior e inferior o de lado a lado. Taladre orificios de 5/16" a través de la puerta y fije el soporte con pernos de carrocería de 5/16"-18 x 2", arandelas de seguridad y tuercas (no se suministran). (Figura 4)

NOTA: Los tornillos autorroscantes de 1/4"-14 x 5/8" no están previstos para su uso en puertas de madera.

HERRAJES



Tornillo autorroscante de 1/4"-14 x 5/8"

FIGURA 1

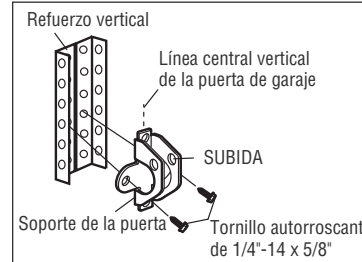


FIGURA 2

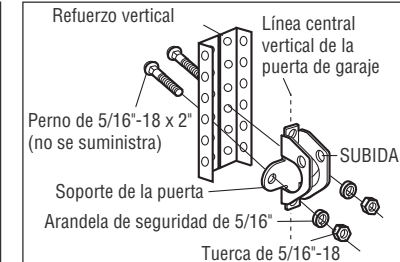


FIGURA 3

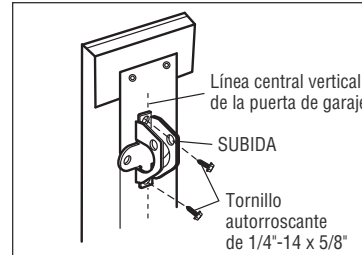
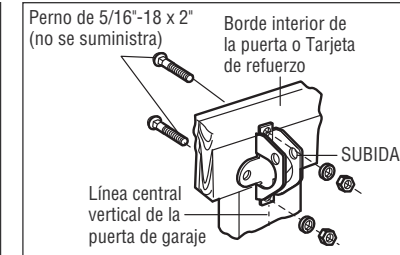


FIGURA 4

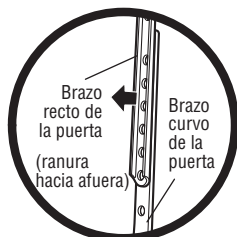
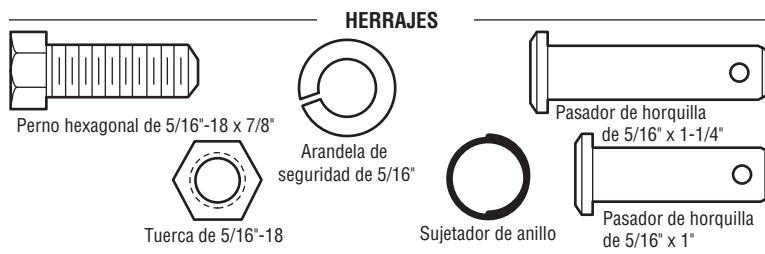


Instalación

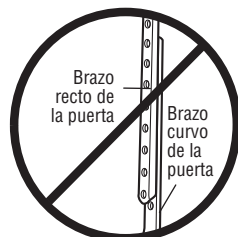
9 Conecte el brazo de la puerta al carro

IMPORTANTE: La ranura en el brazo recto de la puerta **DEBE** estar orientado en dirección opuesta al brazo curvo de la puerta.

1. **Riel en T:** cierre la puerta. Desconecte el carro jalando de la manija de liberación de emergencia. Deslice el carro exterior hacia atrás (apartándolo de la puerta) unas 2" (5 cm).
Riel cuadrado: cierre la puerta. Desconecte el carro jalando de la manija de liberación de emergencia.
 2. Fije el brazo recto de la puerta al carro exterior con el pasador de horquilla. Fije con el sujetador de anillo.
 3. Fije el brazo curvo de la puerta al soporte de la puerta con el pasador de horquilla. Fije con el sujetador de anillo.
 4. Alinee el brazo recto de la puerta con el brazo curvo de la puerta. Seleccione dos orificios alineados (lo más apartados posible) y fíjelos con los pernos, tuercas y arandelas de seguridad.
- NOTA:** Si los orificios no se alinean, invierta el brazo recto de la puerta. Seleccione dos orificios alineados (lo más apartados posible) y fíjelos con los pernos, tuercas y arandelas de seguridad.
5. Jale de la manija de liberación de emergencia hacia el abrepuertas de garaje hasta que el brazo de liberación del carro quede horizontal. El carro se volverá a enganchar automáticamente cuando se active el abrepuertas de garaje.

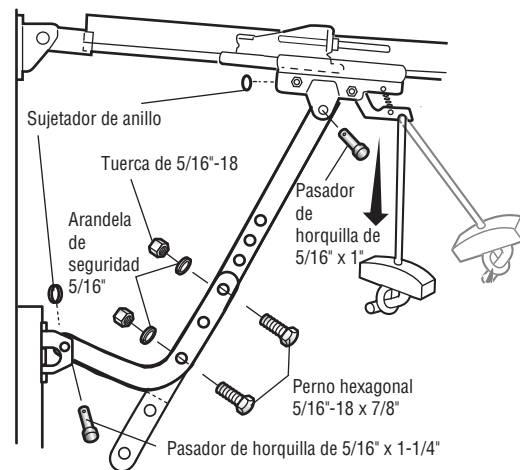


CORRECTO

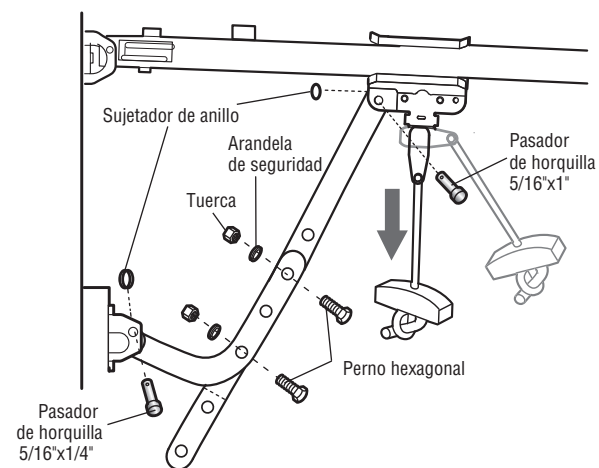


INCORRECTO

PARA EL RIEL EN T



PARA EL RIEL CUADRADO



Instale el control de la puerta

1 Instale el control de la puerta: 882LMW

ADVERTENCIA

Para evitar posibles LESIONES GRAVES o la MUERTE por electrocución:

- Asegúrese de que la alimentación NO esté conectada ANTES de instalar el control de la puerta.
- SOLO conecte a cables de baja tensión de 12 VOLTIOS.

Para evitar posibles LESIONES GRAVES o la MUERTE por el cierre de la puerta de garaje:

- Instale el control de la puerta a la vista de la puerta de garaje, fuera del alcance de niños pequeños a una altura mínima de 5 pies (1.5 m) sobre pisos, descansos, escalones u otras superficies adyacentes de tránsito, y lejos de TODAS las piezas móviles de la puerta.
- NUNCA permita que los niños operen o jueguen con los botones pulsadores del control de la puerta o los transmisores del control remoto.
- SOLO active la puerta cuando pueda verse con claridad, esté correctamente ajustada y no haya obstrucciones al recorrido de la puerta.
- Mantenga SIEMPRE la puerta de garaje a la vista hasta que esté completamente cerrada. NUNCA permita que nadie se ponga en el camino de una puerta que se está cerrando.

INTRODUCCIÓN

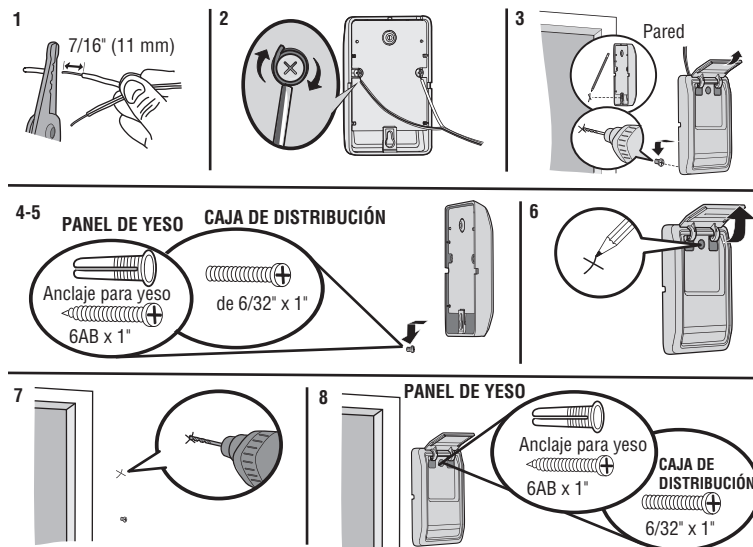
Compatible con los accesorios myQ® y Security+ 2.0, ver página 48. Su abrepuertas de garaje es compatible con hasta 2 paneles de control inteligentes o 4 de cualquier otro panel de control de puertas Security+ 2.0. **NOTA:** Los controles de puertas anteriores de LiftMaster y los productos de terceros no son compatibles.

Instale el control de la puerta a la vista de la puerta de garaje, fuera del alcance de niños pequeños a una altura mínima de 5 pies (1.5 m) sobre pisos, descansos, escalones u otras superficies adyacentes de tránsito, y lejos de TODAS las piezas móviles de la puerta. Para las instalaciones de cajas de distribución no es necesario taladrar orificios ni instalar los anclajes de yeso. Use los orificios existentes de la caja de distribución.

NOTA: Su producto puede verse diferente al de las ilustraciones.



1. Pele 7/16" (11 mm) de aislamiento de un extremo del cable y separe los cables.
2. Conecte un cable a cada uno de los dos tornillos en la parte trasera del control de la puerta. Los cables se pueden conectar a cualquiera de los tornillos.
INSTALACIONES PRE-CABLEADAS: Elija dos cables cualesquiera para conectar, haga una nota de cuales cables se usaron de modo que los cables correctos se conecten al abrepuertas de garaje en un paso posterior.
3. Marque la ubicación del orificio de montaje inferior y taladre un orificio de 5/32".
4. Instale el tornillo inferior, dejando que sobresalga 1/8" (3 mm) de la pared.
5. Coloque el orificio inferior del control de la puerta sobre el tornillo y deslícelo hacia abajo hasta colocarlo en su lugar.
6. Levante la barra de empuje y marque el orificio superior.
7. Retire el control de la puerta de la pared y perforo un orificio de 5/32" para el tornillo superior.
8. Coloque el orificio inferior del control de la puerta sobre el tornillo y deslícelo hacia abajo hasta colocarlo en su lugar. Coloque el tornillo superior.



Instale el control de la puerta

1 Instale el control de la puerta: 883LMW

ADVERTENCIA

Para evitar posibles LESIONES GRAVES o la MUERTE por electrocución:

- Asegúrese de que la alimentación NO esté conectada ANTES de instalar el control de la puerta.
- SOLO conecte a cables de baja tensión de 12 VOLTIOS.

Para evitar posibles LESIONES GRAVES o la MUERTE por el cierre de la puerta de garaje:

- Instale el control de la puerta a la vista de la puerta de garaje, fuera del alcance de niños pequeños a una altura mínima de 5 pies (1.5 m) sobre pisos, descansos, escalones u otras superficies adyacentes de tránsito, y lejos de TODAS las piezas móviles de la puerta.
- NUNCA permita que los niños operen o jueguen con los botones pulsadores del control de la puerta o los transmisores del control remoto.
- SOLO active la puerta cuando pueda verse con claridad, esté correctamente ajustada y no haya obstrucciones al recorrido de la puerta.
- Mantenga SIEMPRE la puerta de garaje a la vista hasta que esté completamente cerrada. NUNCA permita que nadie se ponga en el camino de una puerta que se está cerrando.

INTRODUCCIÓN

Compatible con los accesorios myQ® y Security+ 2.0, ver página 48. Su abrepuertas de garaje es compatible con hasta 2 paneles de control inteligentes o 4 de cualquier otro panel de control de puertas Security+ 2.0. **NOTA:** Los controles de puertas anteriores de LiftMaster y los productos de terceros no son compatibles.

Instale el control de la puerta a la vista de la puerta de garaje, fuera del alcance de niños pequeños a una altura mínima de 5 pies (1.5 m) sobre pisos, descansos, escalones u otras superficies adyacentes de tránsito, y lejos de TODAS las piezas móviles de la puerta. Para las instalaciones de cajas de distribución no es necesario taladrar orificios ni instalar los anclajes de yeso. Use los orificios existentes de la caja de distribución.

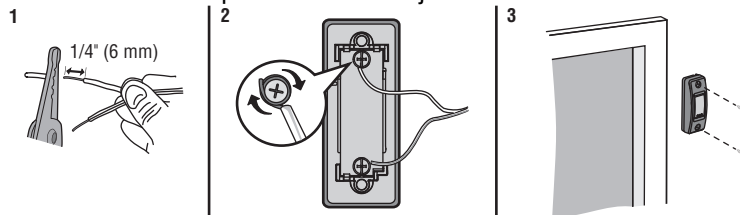
NOTA: Su producto puede verse diferente al de las ilustraciones.

HERRAJES



Tornillo 6ABx1" (2)

1. Pele 1/4" (6 mm) de aislamiento de un extremo del cable y separe los cables.
2. Conecte un cable a cada uno de los dos tornillos en la parte trasera del control de la puerta. Los cables se pueden conectar a cualquiera de los tornillos.
3. Monte el control de la puerta con el herraje incluido.

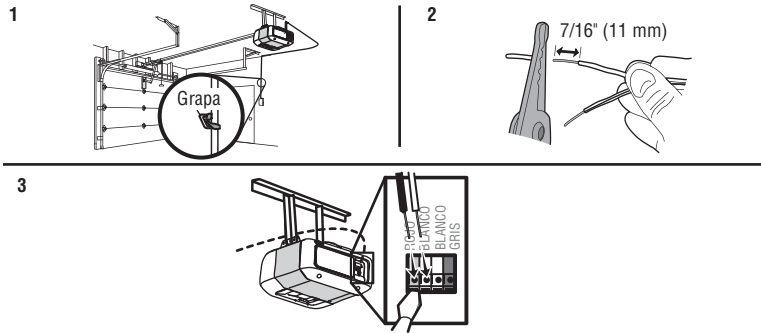


Instale el control de la puerta

2 Conecte el control de la puerta al abrepuertas de garaje

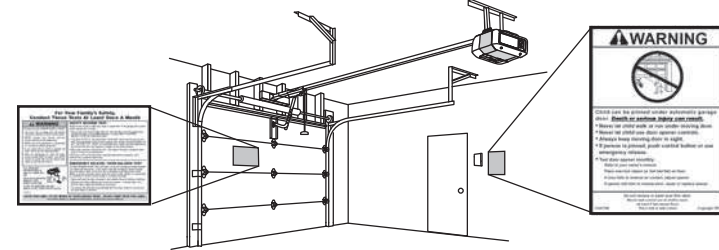
INSTALACIONES PRE-CABLEADAS: Cuando conecte el control de la puerta al abrepuertas de garaje, asegúrese de utilizar los mismos cables que están conectados al control de la puerta.

1. Pase el cable blanco y el rojo/blanco desde el control de la puerta hasta el abrepuertas de garaje. Fije el cable a la pared y al techo con grapas (no se aplica a las instalaciones con caja de distribución o precolocadas). No perforo el cable con la grapa ya que puede causar un cortocircuito o abrir el circuito.
2. Pele 7/16" (11 mm) de aislamiento del extremo del cable cerca del abrepuertas de garaje.
3. Conecte el cable a los terminales rojo y blanco en el abrepuertas de garaje. Para insertar o liberar cables del terminal, presione la pestaña con la punta del destornillador.



3 Pegue las etiquetas de advertencia

1. Pegue la etiqueta de advertencia de atrapamiento en la pared cerca del panel de control con tachuelas o grapas.
2. Pegue la etiqueta de prueba de inversión de seguridad/liberación del manual en un lugar visible en el interior de la puerta del garaje.



Instalar el Protector System®

Introducción

⚠️ ADVERTENCIA

Asegúrese de que la alimentación NO esté conectada al abrepuertas de garaje ANTES de instalar el sensor de inversión de seguridad.

Para evitar posibles LESIONES GRAVES o la MUERTE por el cierre de la puerta de garaje:

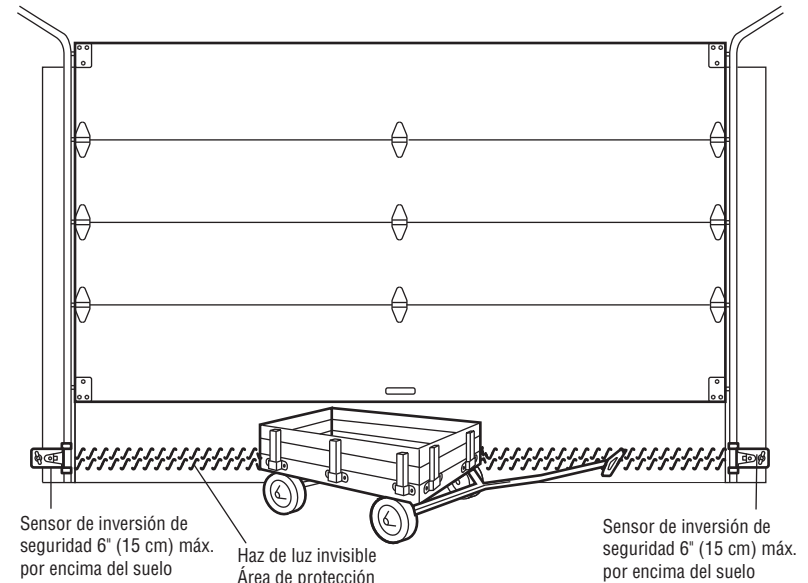
- Conecte y alinee correctamente el sensor de inversión de seguridad. Este dispositivo de seguridad requerido NO SE DEBE desactivar.
- Instale el sensor de inversión de seguridad de modo que el haz esté a una altura NO MAYOR a 6" (15 cm) sobre el piso del garaje.

IMPORTANTE: Los sensores de inversión de seguridad DEBEN estar conectados y alineados correctamente antes de que el abrepuertas de garaje se mueva en la dirección de bajada.

El Protector System® incluye dos sensores de inversión de seguridad que utilizan un haz de luz para evitar que la puerta del garaje se cierre. El sensor emisor (LED ámbar) transmite el haz al sensor receptor (LED verde) cuando ambos están alimentados y alineados. Si una obstrucción interrumpe el haz de luz mientras la puerta se está cerrando, esta se detendrá y retrocederá hasta la posición de apertura total.

Al instalar los sensores de inversión de seguridad, compruebe lo siguiente:

- Que los sensores estén instalados DENTRO del garaje.
- Que las lentes de los sensores estén enfrentadas. **IMPORTANTE:** No permita que la luz del sol llegue directamente al sensor receptor (LED verde).
- Que el haz del sensor no esté a más de 6" (15 cm) del suelo y que el haz de luz no esté obstruido.



Instalar el Protector System®

1 Instale los sensores de inversión de seguridad

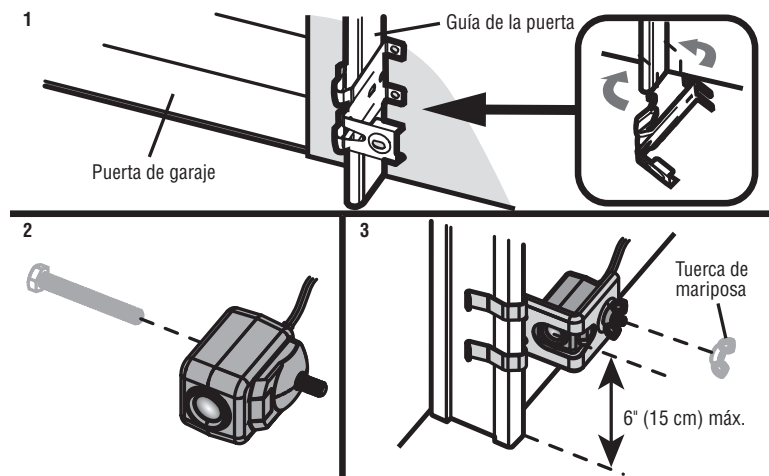


Los sensores de inversión de seguridad se diseñaron para engancharse en la guía de la puerta con los soportes de sensores suministrados. Si la guía de la puerta no puede sostener el soporte del sensor, se recomienda una instalación en la pared. El haz del sensor no debe estar a más de 6" (15 cm) del suelo.

INSTALACIÓN DE LOS GUÍAS DE LA PUERTA

1. Deslice los brazos curvos del soporte del sensor alrededor del borde de la guía de la puerta. Colóquelo en su lugar de forma que el soporte del sensor quede a ras de la guía.
2. Deslice el tornillo hexagonal por el sensor.
3. Fije el sensor al soporte con la tuerca de mariposa. Asegúrese de que el soporte no obstruya la lente.

Repita los pasos con el otro sensor de la guía de la puerta opuesta. Ambas lentes deben estar enfrentadas entre sí.

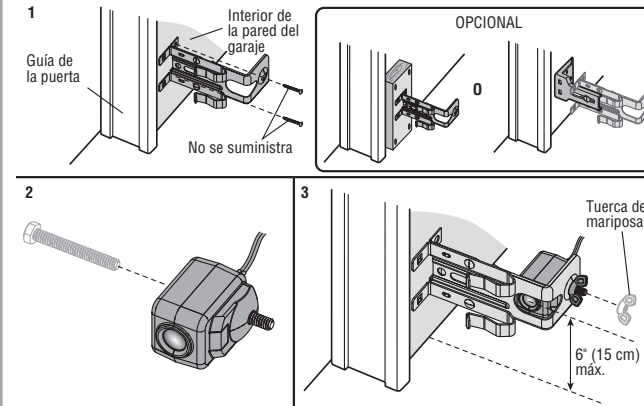


INSTALACIÓN EN LA PARED

Asegúrese de que los soportes de cada lado estén apartados de las guías de la puerta y tengan la misma distancia de modo que los sensores se alineen correctamente. Si se requiere mayor distancia, use soportes de extensión 041A5281-1 (no se suministran) o bloques de madera.

1. Fije el soporte del sensor contra la pared con dos tornillos tirafondos (no se suministran).
2. Deslice el tornillo hexagonal por el sensor.
3. Fije el sensor al soporte con la tuerca de mariposa. Asegúrese de que el soporte no obstruya la lente.

Repita los pasos con el otro sensor en el lado opuesto de la puerta del garaje. Ambas lentes deben estar enfrentadas entre sí.

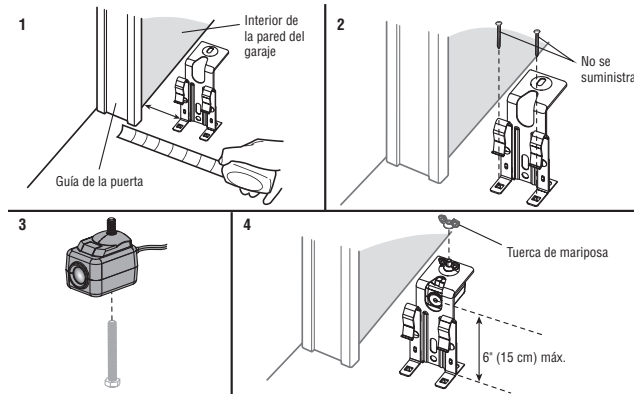


Instalar el Protector System®

INSTALACIÓN EN EL SUELO

1. Mida la posición de ambos soportes del sensor de modo que queden a la misma distancia de la pared y sin obstrucciones.
2. Conecte el soporte al piso con anclajes para concreto (no se suministran).
3. Deslice el tornillo hexagonal por el sensor.
4. Fije el sensor al soporte con la tuerca de mariposa. Asegúrese de que el soporte no obstruya la lente.

Repita los pasos con el otro sensor en el lado opuesto de la puerta del garaje. Ambas lentes deben estar enfrentadas entre sí.

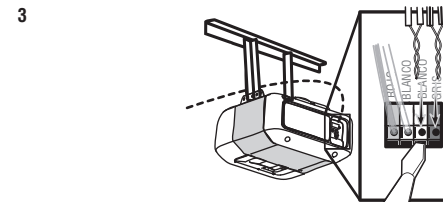
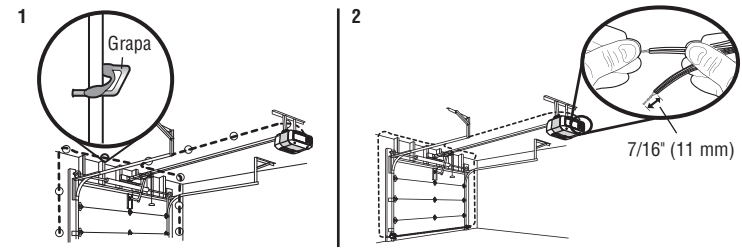


2 Conectar los sensores de inversión de seguridad

INSTALACIONES PRE-CABLEADAS: Si su garaje tiene un cableado previo para los sensores de inversión de seguridad, vea la página 28.

OPCIÓN A - INSTALACIÓN SIN PRECABLEADO

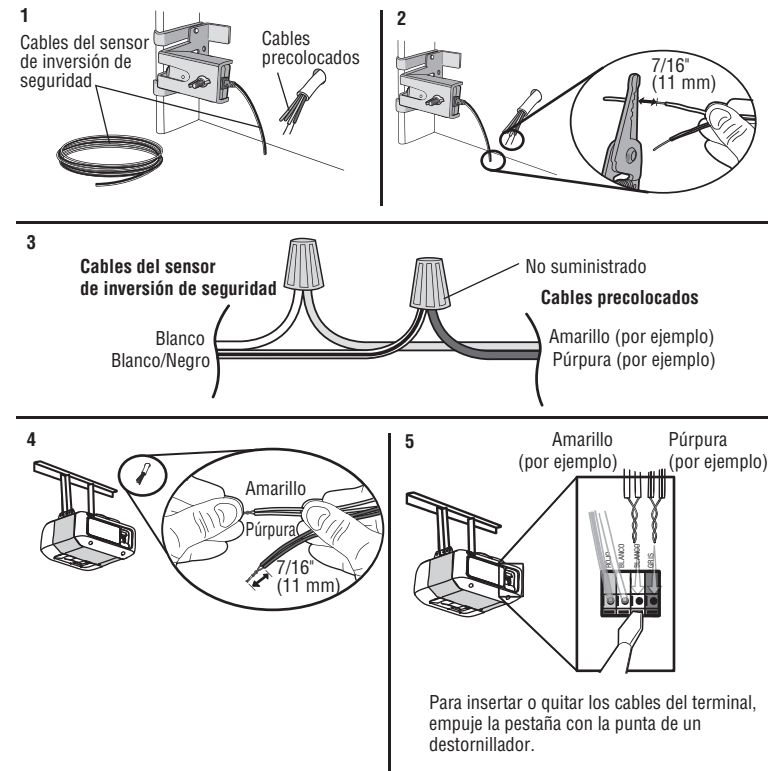
1. Pase el cable hasta el abrepuertas de garaje y fíjelo. Fije con grapas, pero NO perforo el cable.
2. Separe los cables del sensor y pele el aislamiento de los extremos. Retuerza entre sí los dos cables blancos. Luego, retuerza entre sí los dos cables blanco/negro.
3. Con un destornillador, empuje las pestañas del terminal e inserte los cables blanco/negro en el terminal gris.



Instalar el Protector System®

OPCIÓN B - INSTALACIÓN CON PRECABLEADO

1. Corte los cables del sensor y asegúrese de que quede suficiente cable para llegar a los cables precolocados de la pared.
2. Separe los cables del sensor y pele el aislamiento de los extremos. Elija dos tipos de cables precolocados y pele el aislamiento de los extremos. Elija el mismo color de cables precolocados para cada sensor.
3. Conecte los cables precolocados a los cables del sensor con tuercas mariposa y asegúrese de que los colores correspondan a cada sensor.
4. En el abrepuertas de garaje pele el extremo de los cables ya conectados a los sensores. Retuerza entre sí los cables del mismo color.
5. Con un destornillador, empuje las pestañas del terminal e inserte el cable de color conectado al cable blanco del sensor en el terminal blanco. Inserte el cable del otro color conectado al cable blanco/negro del sensor en el terminal gris.



Alimentación

1 Conexión de la alimentación

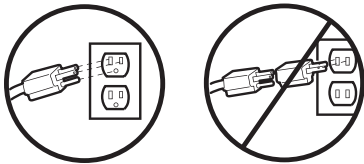
ADVERTENCIA

Para evitar posibles LESIONES GRAVES o la MUERTE por electrocución o incendio:

- Asegúrese de que la alimentación NO esté conectada al abrepuertas, y de desconectar la alimentación al circuito ANTES de quitar la cubierta para establecer una conexión de cableado permanente.
- La instalación de la puerta del garaje y el cableado DEBEN cumplir con TODOS los códigos de construcción y electricidad locales.
- NUNCA use una extensión, un adaptador de dos cables ni cambie el enchufe de NINGUNA manera para que encaje en el tomacorriente. Asegúrese de que el abrepuertas esté conectado a tierra.

Para evitar dificultades en la instalación, no active el abrepuertas de garaje en este momento.

Para reducir el riesgo de descarga eléctrica, el abrepuertas de garaje tiene un enchufe con conexión a tierra mediante una tercera clavija. Este enchufe sólo encajará de una manera en un tomacorriente con conexión a tierra. Si el enchufe no encaja en el tomacorriente, llame a un electricista capacitado para instalar uno adecuado.

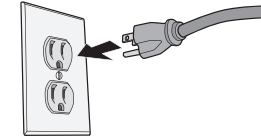


HAY DOS OPCIONES PARA CONECTAR LA ALIMENTACIÓN:

OPCIÓN A: CABLEADO TÍPICO

1. Enchufe el abrepuertas de garaje en un tomacorriente conectado a tierra.
2. NO ponga en funcionamiento el abrepuertas de garaje en este momento.

CABLEADO TÍPICO

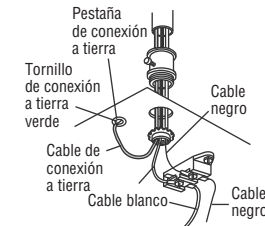


OPCIÓN B: CABLEADO PERMANENTE

Si el código eléctrico local requiere un cableado permanente, consulte el siguiente procedimiento. Para hacer una conexión permanente a través del orificio de 7/8" en la parte superior de la unidad del motor (de acuerdo con el código local):

1. Quite los tornillos de la cubierta de la unidad del motor y aparte la cubierta.
2. Quite el cable de 3 clavijas colocado.
3. Conecte el cable negro (de línea) al tornillo en el terminal color cobre; el cable blanco (neutro) al tornillo en el terminal color plata; y el cable de conexión a tierra al tornillo verde de conexión a tierra. **El abrepuertas debe estar conectado a tierra.**
4. Reinstale la cubierta.

CABLEADO PERMANENTE

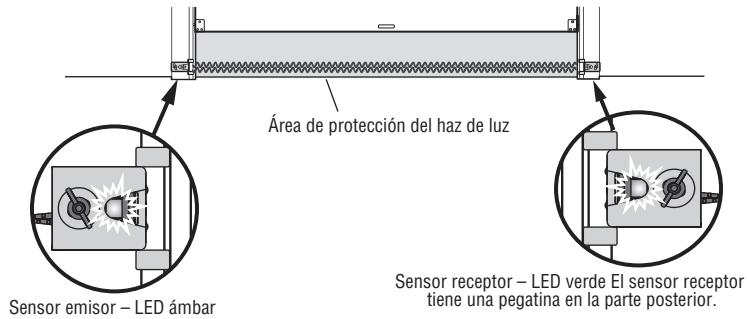


Alimentación

2 Alinee los sensores de inversión de seguridad

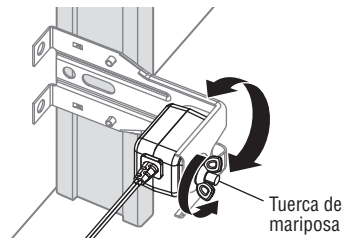
IMPORTANTE: Los sensores de inversión de seguridad **DEBEN** estar conectados y alineados correctamente antes de que el abrepuertas de garaje se mueva en la dirección de bajada.

Cuando el abrepuertas de garaje reciba alimentación, verifique los sensores de inversión de seguridad. Si los sensores están bien alineados y cableados, ambos LED se encenderán de manera fija.



Para alinear los sensores de inversión de seguridad:

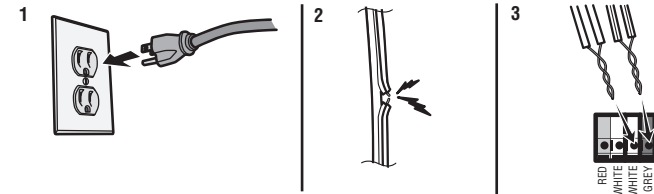
1. Afloje las tuercas de mariposa.
2. Ajuste los sensores hacia arriba o abajo hasta que ambos LED se enciendan de manera fija, lo cual indica que están alineados.
3. Apriete la tuerca de mariposa para fijar el sensor.



SOLUCIÓN DE PROBLEMAS DEL SENSOR DE SEGURIDAD

Si alguno de los LED del sensor está apagado, el sensor no está recibiendo alimentación eléctrica.

1. Verifique que reciba alimentación en el abrepuertas de garaje.
2. Verifique que el cable del sensor no esté en cortocircuito o roto.



Si el LED del sensor receptor verde está parpadeando, los sensores están obstruidos o desalineados.

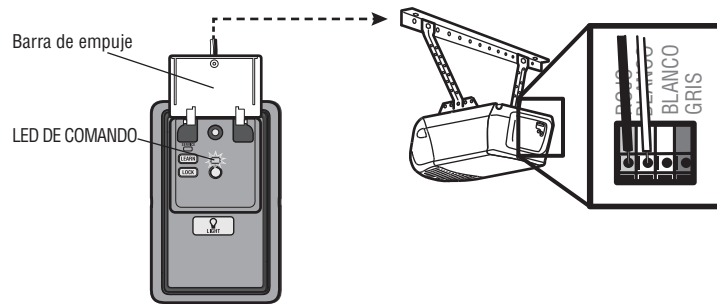
1. Verifique si hay obstrucciones en el haz de luz del sensor.
2. Alinear los sensores.
3. Si el sensor de recepción (LED verde) está de frente a la luz solar directa, cambie la posición del sensor receptor con el sensor de transmisor y repita el paso 1. Instalar el sensor de inversión de seguridad en la página 26 para asegurar un funcionamiento adecuado.

Alimentación

3 Verifique que el control de puerta esté bien conectado

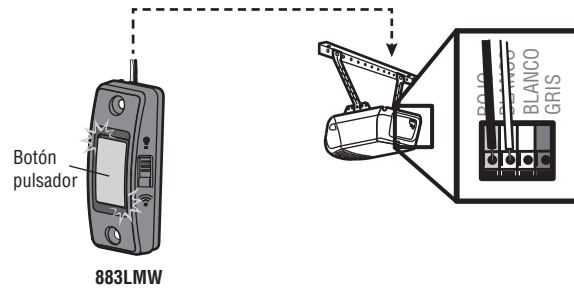
Modelos: 8155W, 8160W, 8160WB y 8165W

Si el panel de control se instaló y cableó correctamente, el LED de comando detrás de la barra de empuje parpadeará.



Modelos: 8164W

Si el control de la puerta se instaló y cableó correctamente, el LED detrás del botón pulsador parpadeará (883LMW).



Ajustes

Introducción

⚠️ ADVERTENCIA

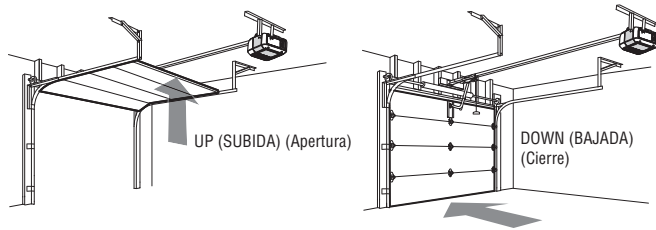
Sin un sistema de inversión de seguridad correctamente instalado, las personas (en particular, los niños pequeños) podrían sufrir **GRAVES LESIONES** o **MUERTE** como consecuencia del cierre de la puerta del garaje.

- Un ajuste incorrecto de los límites de recorrido de la puerta del garaje interferirá con la operación correcta del sistema de inversión de seguridad.
- Después de hacer **CUALQUIER** ajuste, **DEBE** probarse el sistema de inversión de seguridad. La puerta **DEBE** invertir su dirección de movimiento al entrar en contacto con un objeto de 1-1/2" (3.8 cm) de alto (o de 2x4 colocado plano) sobre el piso.

⚠️ PRECAUCIÓN

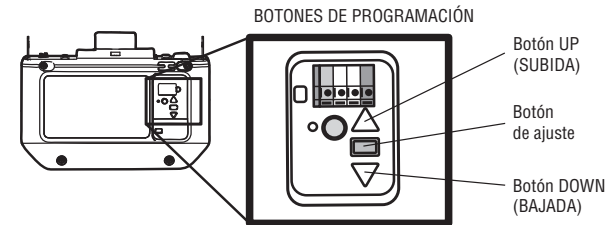
Para evitar daños a los vehículos, asegúrese de que la puerta completamente abierta proporcione una holgura adecuada.

El abrepuertas de garaje está diseñado con controles electrónicos para facilitar la configuración y los ajustes. Mientras programa el desplazamiento, los botones UP (SUBIDA) y DOWN (BAJADA) se pueden usar para mover la puerta según sea necesario. Durante la configuración de fuerza automática, la puerta se abrirá y cerrará automáticamente.



BOTONES DE PROGRAMACIÓN

Los botones de programación se encuentran en el lado izquierdo o trasero del panel del abrepuertas de garaje y se utilizan para programar el recorrido. Mientras programa, los botones UP (SUBIDA) y DOWN (BAJADA) se pueden usar para mover la puerta según sea necesario.



Ajustes

1 - Programar el recorrido

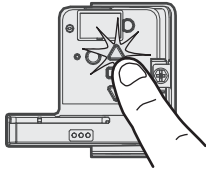
ADVERTENCIA

Sin un sistema de inversión de seguridad correctamente instalado, las personas (en particular, los niños pequeños) podrían sufrir **GRAVES LESIONES** o **MUERTE** como consecuencia del cierre de la puerta del garaje.

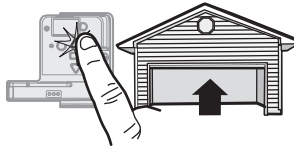
- Un ajuste incorrecto de los límites de recorrido de la puerta del garaje interferirá con la operación correcta del sistema de inversión de seguridad.
- Después de hacer **CUALQUIER** ajuste, **DEBE** probarse el sistema de inversión de seguridad. La puerta **DEBE** invertir su dirección de movimiento al entrar en contacto con un objeto de 1-1/2" (3.8 cm) de alto (o de 2x4 colocado plano) sobre el piso.

Nota: Mientras programa el desplazamiento, los botones UP (SUBIDA) y DOWN (BAJADA) se pueden usar para mover la puerta según sea necesario. Durante la configuración de fuerza automática, la puerta se abrirá y cerrará automáticamente.

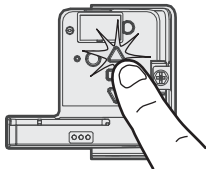
1 Mantenga presionado el botón de ajuste hasta que el botón UP (SUBIDA) comience a parpadear y/o se escuche un pitido. Los sensores de inversión de seguridad estarán desconectados durante el proceso de programar el recorrido.



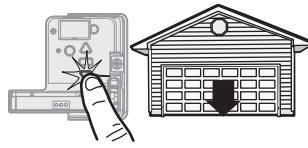
2 Mantenga presionado el botón UP (SUBIDA) hasta que la puerta alcance la posición de SUBIDA deseada.



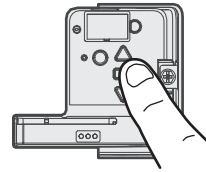
3 Una vez que la puerta esté en la posición UP (SUBIDA) deseada, presione y suelte el botón de ajuste. Las luces del abrepuertas de garaje parpadearán dos veces y el botón UP (SUBIDA) comenzará a parpadear.



4 Mantenga presionado el botón DOWN (BAJADA) hasta que la puerta alcance la posición de BAJADA deseada.



5 Una vez que la puerta esté en la posición DOWN (BAJADA) deseada, presione y suelte el botón de ajuste. Las luces del abrepuertas de garaje parpadearán dos veces. Se completó el proceso de programar el recorrido. Si las luces del abrepuertas de garaje parpadean 5 veces, entonces se ha llegado al límite de tiempo de programación y los límites de desplazamiento no se han fijado. Reinicie el proceso de programar el recorrido.



2 - Configuración de fuerza automática

Una vez establecidas manualmente las posiciones de subida y bajada, los sensores de inversión de seguridad se reconectarán y se tornarán operacionales. Seguidamente, el abrepuertas ingresará en una operación de detección de fuerza al mover la puerta automáticamente para abrirla y cerrarla. El abrepuertas de garaje emitirá una alerta visual y audible antes de abrir y cerrar la puerta automáticamente. El abrepuertas de garaje emitirá un pitido tres veces, confirmando de este modo que se ha completado con éxito la configuración de fuerza automática. El ajuste está completo.

Si oye un pitido largo después de que la puerta intenta moverse, entonces no se ha completado satisfactoriamente la configuración de fuerza automática. Vuelva a iniciar el procedimiento a partir del paso 1 de Programar el recorrido.



Ajustes

3 - Probar el sistema de inversión de seguridad

⚠ ADVERTENCIA

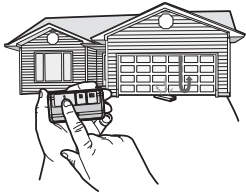
Sin un sistema de inversión de seguridad correctamente instalado, las personas (en particular, los niños pequeños) podrían sufrir **GRAVES LESIONES** o **MUERTE** como consecuencia del cierre de la puerta del garaje.

- El sistema de inversión de seguridad **DEBE** comprobarse cada mes.
- Después de hacer **CUALQUIER** ajuste, **DEBE** probarse el sistema de inversión de seguridad. La puerta **DEBE** invertir su dirección de movimiento al entrar en contacto con un objeto de 1-1/2" (3.8 cm) de alto (o de 2x4 colocado plano) sobre el piso.

1 Con la puerta completamente abierta, coloque una tabla de 1-1/2 pulg. (3.8 cm) (o una de 2x4 colocada plana) sobre el piso, centrada debajo de la puerta del garaje.



2 Presione el botón pulsador de control remoto para cerrar la puerta. La puerta **DEBE** invertir la dirección de movimiento cuando entre en contacto con la tabla.



Si la puerta se detiene pero no invierte su sentido de movimiento:

1. Repita Programar el recorrido (consulte el paso 1 de Ajuste):
2. Repita la prueba de inversión de seguridad.

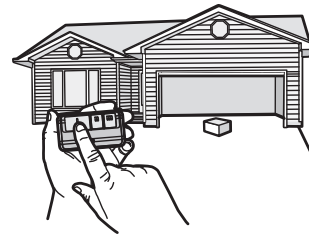
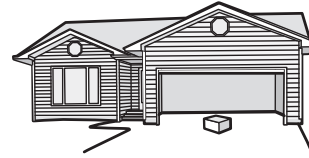
Si la prueba sigue fallando, llame a un técnico capacitado en sistemas de puertas.

4 - Probar el sistema Protector System®

⚠ ADVERTENCIA

Sin un sistema de inversión de seguridad correctamente instalado, las personas (en particular, los niños pequeños) podrían sufrir **GRAVES LESIONES** o **MUERTE** como consecuencia del cierre de la puerta del garaje.

1 Abra la puerta. Coloque una obstrucción en la trayectoria de la puerta.



El abrepuertas de garaje no cerrará desde un control remoto si el LED en cualquiera de los sensores de inversión de seguridad está apagado (alertándole del hecho de que el sensor está mal alineado u obstruido).

Si el abrepuertas de garaje cierra la puerta cuando el sensor de inversión de seguridad está obstruido (y los sensores no están a más de 6" [15 cm] sobre el piso), llame a un técnico capacitado en sistemas de puertas.

Batería de respaldo

1 Instale la batería*

⚠ ADVERTENCIA

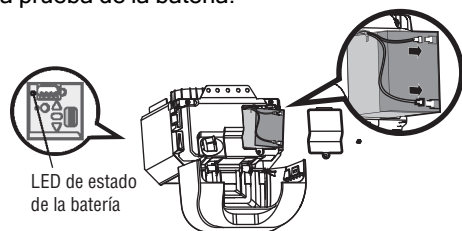
Para reducir el riesgo de INCENDIO o LESIONES:

- Desconecte TODA alimentación eléctrica y de batería ANTES de realizar CUALQUIER servicio o mantenimiento.
- Use SOLO la pieza # 485LM de LiftMaster para reemplazar la batería.
- NO deseche la batería quemándola. La batería puede explotar. Consulte las normas locales las instrucciones especiales para desecharlas.

⚠ PRECAUCIÓN

Use SIEMPRE guantes protectores y protectores para la vista al cargar la batería o al trabajar cerca del compartimento de la batería.

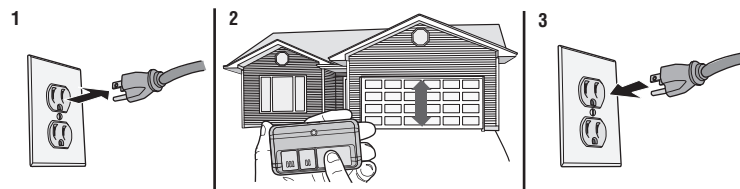
1. Desenchufe el abrepuertas de garaje.
2. Abra el lente de luz del abrepuertas de garaje. Use un destornillador Phillips para extraer la cubierta de la batería en el abrepuertas de garaje.
3. Inserte parcialmente la batería en el compartimento de la batería con los terminales hacia afuera.
4. Conecte los cables rojo (+) y negro (-) del abrepuertas de garaje a los terminales correspondientes en la batería.
5. Vuelva a colocar la cubierta de la batería.
6. Enchufe el abrepuertas de garaje.
7. Espere que el LED verde de estado de la batería comience a parpadear antes de continuar con la prueba de la batería.



* Si es aplicable.

2. Probar la batería

1. Desenchufe el abrepuertas de garaje. El LED de estado de la batería se iluminará en color naranja fijo para indicar que el abridor está funcionando con energía de la batería o parpadeará para indicar que la energía de la batería es baja.
NOTA: Asegúrese de que el abrepuertas de garaje esté desenchufado.
2. Abra y cierre la puerta con el control remoto o el control de la puerta. **NOTA:** El abrepuertas de garaje puede funcionar más lento si la batería no está completamente cargada. La batería tardará 24 horas en cargarse por completo.
3. Enchufe el abrepuertas de garaje. Verifique que el LED de estado de la batería esté parpadeando en verde, lo que indica que la batería se está cargando.



Batería de respaldo

3 Cargue la batería

La batería se carga cuando el abrepuertas de garaje está enchufado a un tomacorrientes que tenga alimentación de 120 VCA y requiere 24 horas para cargarse por completo. Una batería completamente cargada suministra 12 VCC al abrepuertas de garaje hasta por 24 horas de funcionamiento normal durante un corte de electricidad. Una vez restaurada la alimentación, la batería se recargará en 24 horas. La batería durará aproximadamente entre 1 o 2 años con un uso normal. Para maximizar la vida útil de la batería y evitar daños, desconecte la batería cuando el abrepuertas de garaje esté desenchufado por un período largo, como en una casa de verano o invierno.

4 LED de estado de la batería

LED VERDE:

Todos los sistemas están normales.

- Un LED verde fijo indica que la batería está completamente cargada.
- Un LED verde parpadeante indica que la batería se está cargando.

LED NARANJA:

El abrepuertas de garaje ha perdido alimentación y está en modo de batería de respaldo.

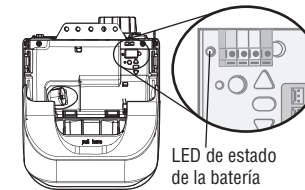
- Un LED naranja fijo con un pitido, que suena aproximadamente cada 2 segundos, indica que el abrepuertas de garaje funciona con la energía de la batería.
- Un LED naranja parpadeante con un pitido, que suena cada 30 segundos, indica que la batería está baja.

LED ROJO:

Se debe reemplazar la batería.

- Un LED rojo fijo con un pitido, que suena cada 30 segundos, indica que la batería ya no tiene carga. Ingrese a LiftMaster.com para comprar una batería de repuesto a fin de permitir que su sistema funcione durante un corte de electricidad.

NOTA: El LED de estado de la batería es más visible con la luz del abrepuertas de garaje apagada. La batería no tiene que estar completamente cargada para operar el abrepuertas de garaje.



LED de estado de la batería

INSTRUCCIONES IMPORTANTES DE SEGURIDAD

ADVERTENCIA

Para reducir el riesgo de **LESIÓN GRAVE** o **MUERTE**:

1. LEA Y SIGA TODAS LAS ADVERTENCIAS E INSTRUCCIONES.
2. SIEMPRE mantenga los controles remotos fuera del alcance de los niños. NUNCA permita que los niños operen o jueguen con los botones pulsadores del control de la puerta de garaje o los controles remotos.
3. SÓLO active la puerta del garaje cuando esta pueda verse claramente, esté correctamente ajustada y no haya obstrucciones en el recorrido de la puerta.
4. SIEMPRE mantenga la puerta del garaje a la vista y lejos de personas y objetos hasta que esté completamente cerrada. NADIE DEBE CRUZAR EL CAMINO DE LA PUERTA MÓVIL.
5. NADIE DEBE PASAR DEBAJO DE UNA PUERTA PARCIALMENTE ABIERTA Y PARADA.
6. Si es posible, use la palanca de liberación de emergencia para desenganchar el carro SOLO cuando la puerta del garaje esté CERRADA. Tenga cuidado al utilizar esta liberación con la puerta abierta. Los resortes débiles o rotos o la puerta desequilibrada pueden hacer que la puerta abierta caiga rápida y/o inesperadamente y aumente el riesgo de LESIONES GRAVES o LA MUERTE.
7. NUNCA use la palanca de liberación de emergencia a menos que la entrada del garaje esté libre de personas y sin obstrucciones.
8. NUNCA use la palanca para abrir o cerrar la puerta del garaje. Si se desata el nudo de la cuerda, podría caerse.
9. Después de hacer CUALQUIER ajuste, DEBE probarse el sistema de inversión de seguridad.
10. El sistema de inversión de seguridad DEBE comprobarse cada mes. La puerta DEBE invertir la marcha al contacto con un objeto de 1-1/2" (3.8 cm) de alto (o 2x4 colocado plano) en el piso. Si no se ajusta correctamente el abrepuertas de garaje, aumenta el riesgo de ocasionar LESIONES GRAVES o MUERTE.
11. MANTENGA SIEMPRE LA PUERTA DEL GARAJE CORRECTAMENTE EQUILIBRADA (consulte la página 4). Una puerta mal balanceada podría NO invertirse cuando sea necesario y causar LESIONES GRAVES o la MUERTE.
12. Un técnico capacitado en sistemas de puertas DEBE realizar TODAS las reparaciones a cables, conjuntos de resortes y otros herrajes; TODOS están bajo tensión EXTREMA.
13. Para evitar interferencias con la operación adecuada del abrepuertas de garaje al utilizar una soldadora en el garaje, desenchufe el abrepuertas de garaje antes de utilizar la soldadora.
14. Para evitar LESIONES PERSONALES GRAVES o la MUERTE por electrocución, desconecte TODA la alimentación eléctrica y de batería ANTES de realizar CUALQUIER servicio técnico o mantenimiento.
15. Este sistema del operador viene equipado con una característica de funcionamiento sin supervisión. La puerta podría moverse de forma inesperada. NADIE DEBE CRUZAR EL CAMINO DE LA PUERTA MÓVIL.
16. NO debe instalarse en una puerta de una sola pieza si se utilizan dispositivos o funciones que proporcionen un cierre sin supervisión. Los dispositivos y las funciones sin supervisión deben usarse SOLO con puertas seccionales.

17. GUARDE ESTAS INSTRUCCIONES.

Funcionamiento

Funciones

Su abrepuertas de garaje está equipado con funciones que le brindan un mayor control sobre el funcionamiento de la puerta de su garaje.

ALERT2CLOSE

La función Alert2Close proporciona una alerta visual y audible de que se está cerrando una puerta desatendida.

TEMPORIZADOR DE CIERRE (TTC)

La función TTC cierra la puerta automáticamente después de un período de tiempo especificado que puede ajustarse mediante un control de puertas activado por TTC (modelos 881LMW o 880LMW). Antes del cierre de la puerta y durante el mismo, las luces del abrepuertas de garaje parpadearán y el abrepuertas de garaje emitirá un pitido.

MYQ

La tecnología myQ® utiliza una señal de 900 MHz para proporcionar comunicación bidireccional entre el abrepuertas de garaje y los accesorios habilitados para myQ®. El abrepuertas de garaje es compatible con hasta 16 accesorios myQ®.

CONTROLES DE PUERTAS Y CONTROLES REMOTOS SECURITY+ 2.0

Su abrepuertas de garaje ya ha sido programado en la fábrica para operar con su control remoto, que cambia con cada uso, accediendo de manera aleatoria a más de 100 mil millones de códigos nuevos. Compatible con los accesorios myQ® y Security+ 2.0, ver página 48

NOTA: Los controles remotos y los controles de puertas anteriores de LiftMaster y los productos de terceros no son compatibles.

Accesorios Security+ 2.0	CAPACIDAD DE MEMORIA
Controles remotos	Hasta 12
Controles de la puerta	Hasta 2 paneles de control inteligentes o 4 de cualquier otro control de puertas Security+ 2.0
Ingresos sin llave	Hasta 1

THE PROTECTOR SYSTEM® (SENSORES DE INVERSIÓN DE SEGURIDAD)

Cuando están conectados y alineados correctamente, los sensores de inversión de seguridad detectarán una obstrucción en el camino del haz infrarrojo. Si una obstrucción interrumpe el haz infrarrojo mientras la puerta se cierra, esta se detendrá y retrocederá hasta la posición de apertura total. Si la puerta está completamente abierta y los sensores de inversión de seguridad no están instalados o están desalineados, la puerta no se cerrará con un control remoto. Sin embargo, puede cerrar la puerta si mantiene presionado el botón en el control de la puerta o entrada sin llave hasta que la puerta

quede completamente cerrada. Los sensores de inversión de seguridad no afectan el ciclo de apertura.

LUCES

Las luces del abrepuertas de garaje se encenderán cuando el abrepuertas esté inicialmente enchufado, se restaure la alimentación después de la interrupción, o cuando se activa el abrepuertas de garaje. Las luces se apagarán automáticamente después de 4-1/2 minutos. Use una bombilla incandescente A19 (100 vatios como máximo).

USO DE SU ABREPUERTAS DE GARAJE

El abrepuertas de garaje puede activarse por medio de un control montado en la pared, control remoto, entrada inalámbrica sin llave o aplicación myQ®.

Cuando la puerta está cerrada y el abrepuertas de garaje está activado, se abrirá la puerta. Si la puerta entra en contacto con una obstrucción durante la apertura, la puerta se detendrá, el abrepuertas emitirá un pitido y las luces parpadearán 5 veces. Cuando la puerta está en cualquier posición diferente de la posición cerrada y el abrepuertas de garaje está activado, se cerrará la puerta. Si la puerta de garaje entra en contacto con una obstrucción mientras se está cerrando, la puerta invertirá la dirección de movimiento, el abrepuertas emitirá un pitido y las luces parpadearán 5 veces. Sin embargo, puede cerrar la puerta si mantiene presionado el botón en el control de la puerta o entrada sin llave hasta que la puerta quede completamente cerrada.

Los sensores de inversión de seguridad no afectan el ciclo de apertura. El sensor de inversión de seguridad debe estar conectado y alineado correctamente antes de que el abrepuertas de garaje pueda moverse en la dirección de bajada.

BATERÍA DE RESPALDO*

El sistema de batería de respaldo permite la entrada y salida de su garaje, incluso cuando no haya energía. Cuando el abrepuertas de garaje funciona con batería, el abrepuertas de garaje funcionará más lento, la luz no funcionará, el LED de estado de la batería se iluminará en color naranja fijo y sonará un pitido aproximadamente cada 2 segundos.

*Si corresponde

Funcionamiento

Conexión con su smartphone

El abrepuertas de garaje con Wi-Fi es compatible con hasta 16 accesorios habilitados para myQ®. Se pueden emparejar hasta 10 dispositivos con la pasarela interna del abrepuertas de garaje con Wi-Fi. Estos dispositivos se pueden controlar con la aplicación myQ®. Estos dispositivos incluyen cualquier combinación de abrepuertas de garaje myQ®, abrepuertas de garaje con Wi-Fi, controles de luz myQ®, operadores de puerta myQ® u operadores de puertas comerciales myQ®. Se puede agregar una pasarela de internet LiftMaster (828LM) si necesita controlar más de 10 dispositivos usando la aplicación myQ®. Se pueden emparejar hasta 6 dispositivos con el abrepuertas de garaje (controlado por el abrepuertas de garaje a través de 900MHz). Estos dispositivos incluyen cualquier combinación de controles de luz myQ® o un monitor de puerta de garaje y portón.

NECESITARÁ:

- Wi-Fi habilitado en un smartphone, una tableta o una computadora portátil
- Conexión a Internet de banda ancha
- Señal Wi-Fi en el garaje (**se requiere 2.4 GHz, 802.11b/g/n**), vea la página 4
- Contraseña para su internet doméstica (la cuenta principal del enrutador, no la red de invitados)
- Número de serie de myQ® ubicado en el abrepuertas de garaje

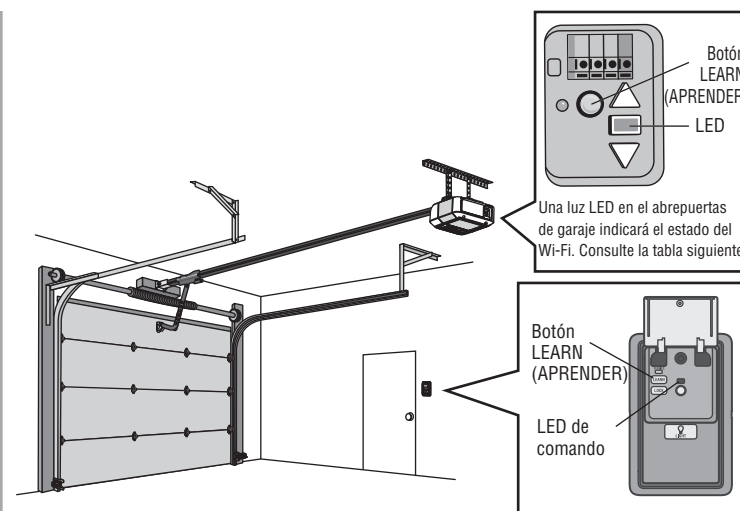
DESCARGUE LA APLICACIÓN myQ® PARA CONFIGURAR SU CUENTA Y CONECTARSE

Abra y cierre su puerta, reciba alertas y establezca horarios desde cualquier lugar. Los abrepuertas de garaje inteligentes conectados también reciben actualizaciones de software para garantizar que tengan las funciones más recientes.

El abrepuertas de garaje debe funcionar durante un ciclo completo para poder activar la programación Wi-Fi®.

1. Descargue la aplicación myQ®.
2. Cree una cuenta y conéctese.

Para obtener más información sobre la conexión de su abrepuertas de garaje, visite support.chamberlaingroup.com.



ESTADO DEL WI-FI	
LED	Definición
Azul	Apagado: el Wi-Fi no está encendido. Parpadeante: el abrepuertas de garaje está en el modo learn (aprender) del Wi-Fi. Sólido: dispositivo móvil conectado al abrepuertas de garaje.
Azul y Verde	Parpadeante: intentando conectarse al enrutador.
Verde	Parpadeante: intentando conectarse al servidor de Internet. Sólido: se ha configurado el Wi-Fi y el abrepuertas de garaje está conectado a Internet.

NOTAS:

El control de la aplicación myQ® NO funcionará si el abrepuertas de garaje está funcionando con batería.

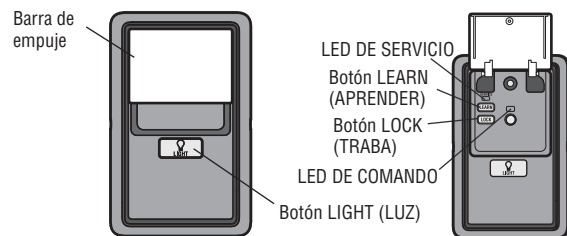
Para borrar los ajustes de Wi-Fi, vea la página 44.

Funcionamiento

Uso del control de puertas multifunción: modelo 882LMW

SINCRONIZAR EL CONTROL DE LA PUERTA

Para sincronizar el control de la puerta con el abrepuertas de garaje, presione el botón pulsador hasta que el abrepuertas de garaje se active (puede requerir presionarlo 3 veces). Pruebe el control de la puerta presionando la barra de empuje; cada vez que presione la barra de empuje se activará el abrepuertas de garaje.



BARRA DE EMPUJE

Presione la barra de empuje para abrir o cerrar la puerta.

BOTÓN DE LUZ

Presione el botón LIGHT (LUZ) para encender o apagar las luces del abrepuertas de garaje. Cuando las luces se encienden, permanecen así hasta que se vuelve a presionar el botón LIGHT (LUZ), o hasta que se activa el abrepuertas de garaje. Una vez activado el abrepuertas de garaje, las luces se apagarán después de un período de tiempo especificado (el ajuste de fábrica es de 4-1/2 minutos). El botón LIGHT (LUZ) no controlará las luces cuando la puerta esté en movimiento.

Se puede acceder a las siguientes funciones al levantar la barra de empuje:

APRENDER UN DISPOSITIVO

Todos los controles remotos, entradas inalámbricas sin llave o accesorios myQ® compatibles se pueden programar al abrepuertas de garaje al presionar el botón LEARN (APRENDER) del control de la puerta; consulte la página 43.

TRABA

La función LOCK (TRABA) está diseñada para evitar la activación del abrepuertas de garaje desde los controles remotos y, al mismo tiempo, permitir la activación desde el panel de control y la entrada inalámbrica sin llave. Esta función es útil para una mayor tranquilidad cuando la casa está vacía (por ejemplo, en las vacaciones).

ALERTA DE MANTENIMIENTO (MAS)

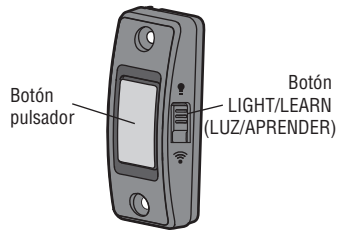
Esta función ayuda al propietario a garantizar que el sistema del abrepuertas de garaje esté en buenas condiciones. Cuando el abrepuertas de garaje necesite mantenimiento (aproximadamente 4500 ciclos de apertura) los LED de comando (amarillo) y de servicio (rojo) comenzarán a parpadear de forma alternada. De fábrica, el ajuste de la función MAS está desactivado y se puede activar al momento de la instalación. Comuníquese con el proveedor de la instalación para el mantenimiento.

Funcionamiento

Uso del control de la puerta con botón pulsador: modelo 883LMW

SINCRONIZAR EL CONTROL DE LA PUERTA

Para sincronizar el control de la puerta con el abrepuertas de garaje, presione el botón push (pulsador) hasta que el abrepuertas de garaje se active (puede requerir presionarlo 3 veces). Pruebe el control de la puerta al presionar el botón pulsador; cada vez que presione el botón pulsador, se activará el abrepuertas de garaje.



BOTÓN PULSADOR

Presione el botón pulsador para abrir o cerrar la puerta.

BOTÓN LIGHT/LEARN (LUZ/APRENDER)

Presione el botón LIGHT (LUZ) para encender o apagar las luces del abrepuertas de garaje. Cuando las luces se encienden, permanecen así hasta que se vuelve a presionar el botón LIGHT (LUZ), o hasta que se activa el abrepuertas de garaje. Una vez activado el abrepuertas de garaje, las luces se apagarán después de un período de tiempo especificado (el ajuste de fábrica es de 4-1/2 minutos). El botón LIGHT (LUZ) no controlará las luces cuando la puerta esté en movimiento.

Funcionamiento

Uso del control de la puerta

TRABA

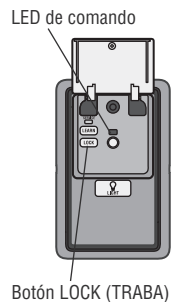
Sus controles remotos NO funcionarán cuando el modo LOCK (TRABA) esté activo. Sin embargo, su entrada sin llave seguirá permitiendo el acceso a su garaje.

Activación:

Mantenga presionado el botón LOCK (TRABA) durante 2 segundos. El LED de comando parpadeará siempre y cuando la función de traba esté activada y su control remoto de mano no operará la puerta en este momento.

Desactivación:

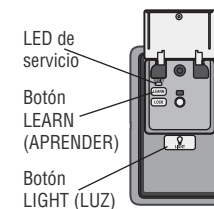
Mantenga presionado el botón LOCK (TRABA) nuevamente durante 2 segundos. El LED de comando dejará de parpadear y se reanudará el funcionamiento normal.



SISTEMA DE ALERTA DE MANTENIMIENTO (MAS):

Activación/Desactivación:

Presione y mantenga presionado el botón LEARN (APRENDER). Luego, presione el botón LIGHT (LUZ). El LED de servicio mostrará el estado a través de parpadeos; si está activo mostrará 2 parpadeos y si está desactivado mostrará 3 parpadeos.



Funcionamiento

Control remoto

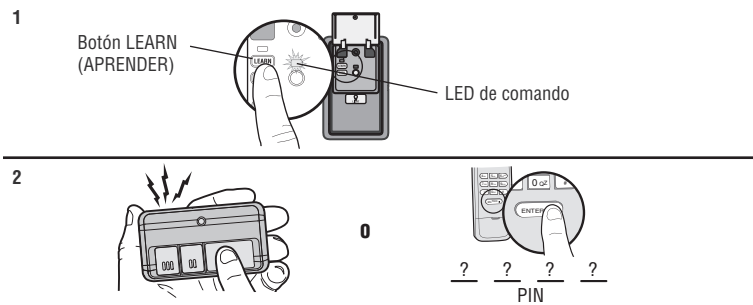
El control remoto ya ha sido programado en la fábrica para que funcione con su abrepuertas de garaje.

Los modelos más antiguos de controles remotos de LiftMaster NO son compatibles; consulte la página 48 para conocer los accesorios compatibles. La programación se puede realizar a través del control de la puerta o el botón learn (aprender) del abrepuertas de garaje. Para programar accesorios adicionales, consulte las instrucciones provistas con el accesorio o visite LiftMaster.com. Si su vehículo está equipado con Homelink®, tal vez requiera un adaptador externo, dependiendo de la marca, el modelo y el año de su vehículo. Visite www.homelink.com para obtener más información.

PASOS PARA AÑADIR, REPROGRAMAR O CAMBIAR EL PIN DE UN CONTROL REMOTO O UNA ENTRADA SIN LLAVE MEDIANTE EL BOTÓN PULSADOR DEL CONTROL DE LA PUERTA: MODELO 882LMW

1. Presione el botón LEARN (APRENDER) **dos veces**. El LED de comando parpadeará.
2. **Control remoto:**
Presione el botón del control remoto con el que desee operar su puerta de garaje.
Entrada sin llave:
Introduzca un número de identificación personal (PIN) de 4 dígitos de su elección en el teclado numérico de la entrada sin llave. Luego, presione el botón ENTER (ENTRAR).

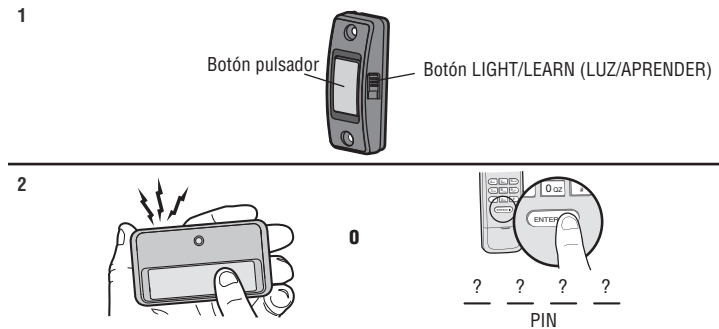
Las luces del abrepuertas de garaje parpadearán (o se oirán dos clics) y el LED de comando dejará de parpadear cuando se haya programado el código. Repita los pasos anteriores para programar controles remotos o dispositivos de entrada inalámbrica sin llave adicionales. Si la programación no tiene éxito, programe el control remoto usando el botón Learn (Aprender).



PASOS PARA AÑADIR, REPROGRAMAR O CAMBIAR EL PIN DE UN CONTROL REMOTO O UNA ENTRADA SIN LLAVE MEDIANTE EL BOTÓN PULSADOR DEL CONTROL DE LA PUERTA: MODELO 883LMW

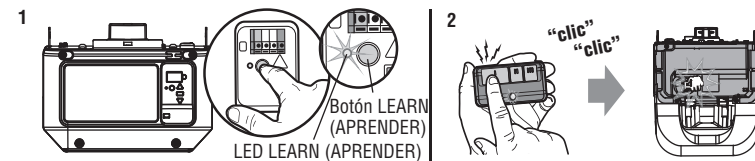
1. Mantenga presionados el botón LIGHT (LUZ) y el botón pulsador hasta que el LED del botón pulsador comience a parpadear.
2. **Control remoto:**
Presione el botón del control remoto con el que desee operar su puerta de garaje.
Entrada sin llave:
Introduzca un número de identificación personal (PIN) de 4 dígitos de su elección en el teclado numérico de la entrada sin llave. Luego, presione el botón ENTER (ENTRAR).

Parpadearán las luces del abrepuertas de garaje (o se oirán dos chasquidos) cuando se haya programado el código. Repita los pasos anteriores para programar controles remotos o dispositivos de entrada inalámbrica sin llave adicionales. Si la programación no tiene éxito, programe el control remoto usando el botón Learn (Aprender).



PARA AÑADIR, REPROGRAMAR O CAMBIAR UN CONTROL REMOTO UTILIZANDO EL BOTÓN LEARN

1. Mantenga presionado el botón LEARN (APRENDER) en el abrepuertas de garaje.
2. Mantenga presionado el botón del control remoto con el que desee operar. Suelte el botón cuando las luces del abrepuertas de garaje parpaddeen o escuche dos clics.



Funcionamiento

Borrar la memoria

BORRE TODOS LOS CONTROLES REMOTOS Y ENTRADAS SIN LLAVE

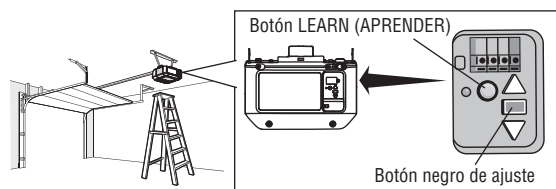
1. Mantenga presionado el botón LEARN (APRENDER) en el abrepuertas de garaje hasta que se apague el LED de aprender (aproximadamente 6 segundos). Todos los códigos del control remoto y de entrada sin llave ahora están borrados. Vuelva a programar cualquier accesorio compatible que desee utilizar.

BORRE TODOS LOS DISPOSITIVOS (INCLUIDOS LOS ACCESORIOS HABILITADOS PARA myQ®)

1. Mantenga presionado el botón LEARN (APRENDER) en el abrepuertas de garaje hasta que se apague el LED de aprender (aproximadamente 6 segundos).
2. Inmediatamente mantenga presionado el botón LEARN (APRENDER) nuevamente hasta que se apague el LED de aprender. Todos los códigos ahora están borrados. Vuelva a programar cualquier accesorio compatible que desee utilizar.

BORRE LA RED Wi-Fi® DEL ABREPUERTAS DE GARAJE

1. Mantenga presionado el botón negro de ajuste en el abrepuertas de garaje hasta que oiga 3 pitidos (aproximadamente 6 segundos).



Abrir la puerta manualmente

⚠ ADVERTENCIA

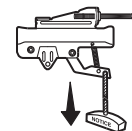
Para evitar posibles LESIONES GRAVES o la MUERTE por la caída de la puerta de garaje:

- Si es posible, use la palanca de liberación de emergencia para desenganchar el carro SOLO cuando la puerta del garaje esté CERRADA. Los resortes débiles o rotos o una puerta no balanceada podrían causar que la puerta caiga rápido o de forma repentina.
- NUNCA use la palanca de liberación de emergencia a menos que la entrada del garaje esté libre de personas y sin obstrucciones.
- NUNCA use la manija para abrir o cerrar la puerta. Si se desata el nudo de la cuerda, podría caerse.

PARA EL RIEL EN T

Desconecte el carro

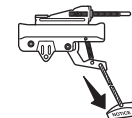
1. La puerta debe estar completamente cerrada si es posible.
2. Jale la manija de liberación de emergencia hacia abajo.



Vuelva a conectar el carro

La función de bloqueo evita que el carro se vuelva a conectar automáticamente.

1. Tire de la palanca de liberación de emergencia hacia abajo y hacia atrás (hacia el abridor). A continuación, la puerta se puede subir y bajar manualmente tantas veces como sea necesario.
2. Para desactivar la función de bloqueo, tire de la palanca hacia abajo. El carro se reconectará con la siguiente operación de UP (SUBIDA) o DOWN (BAJADA), sea manualmente o mediante el uso del control de la puerta o el control remoto.



Mantenimiento

Programa de mantenimiento

MENSUAL

- Opere la puerta manualmente. Si no está balanceada o está atascada, llame a un técnico capacitado en sistemas de puertas.
- Verifique que la puerta se abra y cierre completamente. Ajústela si es necesario, vea la página 33.
- Pruebe el sistema de inversión de seguridad. Ajústelo si es necesario, vea la página 34.

ANUAL

- Engrase los rodillos, los cojinetes y las bisagras de las puertas. El abrepuertas de garaje no requiere lubricación adicional. No engrase las guías de la puerta.
- Pruebe la batería de respaldo y considere reemplazar la batería para garantizar que el abrepuertas de garaje funcione durante un corte de electricidad; vea la página 35 para probar la batería de respaldo.

CADA DOS O TRES AÑOS: SOLO PARA EL RIEL EN T

- Use un trapo para quitar la grasa del riel del abrepuertas de garaje. Vuelva a aplicar una capa delgada de grasa de litio blanco encima y debajo de la superficie del riel donde se desliza el carro.

AVISO: Este dispositivo cumple con la parte 15 de las reglas de la FCC y de equipos RSS exentos de licencia de Innovation, Science and Economic Development Canada. El funcionamiento está sujeto a las siguientes dos condiciones: (1) este dispositivo no puede causar interferencia dañina, y (2) este dispositivo debe aceptar toda interferencia recibida, incluso la que puede causar un funcionamiento indeseado.

Los cambios o las modificaciones a esta unidad que no sean aprobados en forma expresa por la parte responsable del cumplimiento pueden invalidar el permiso del usuario para operar el equipo.

Este dispositivo debe instalarse para asegurarse de mantener una distancia mínima de 20 cm (8 pulg.) entre los usuarios/transeúntes y el dispositivo.

Este dispositivo se ha probado, y se ha hallado que cumple con los límites de un dispositivo digital de clase B, de acuerdo con la parte 15 de las reglas de la FCC y de la norma ICES de Industry Canada. Estos límites están diseñados para brindar una protección razonable contra la interferencia dañina en una instalación residencial. Este equipo genera, utiliza y puede emitir energía de radiofrecuencia y, si no se instala y utiliza de acuerdo con las instrucciones, puede causar interferencias perjudiciales en las radiocomunicaciones. Sin embargo, no existe garantía de que no ocurra interferencia en una instalación en particular. Si este equipo efectivamente causa interferencia dañina a la recepción de radio o televisión, lo cual puede determinarse apagando y encendiendo el equipo, se recomienda al usuario que trate de corregir la interferencia realizando uno o varios de los siguientes pasos:

- Cambiar de dirección o de lugar la antena receptora.
- Aumentar la separación entre el equipo y el receptor.
- Conectar el equipo en un tomacorriente en un circuito diferente de donde esté conectado el receptor.
- Consultar al concesionario o a un técnico de radio/TV con experiencia para que le ayude.

Batería del control remoto

⚠ ADVERTENCIA

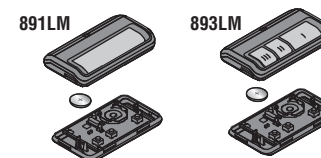
Para evitar posibles LESIONES GRAVES o la MUERTE:

- NUNCA permita que las baterías estén al alcance de los niños pequeños.
- Si alguien ingiere una batería, llame inmediatamente al médico.

Para reducir el riesgo de incendio, explosión o quemaduras químicas:

- Reemplazar ÚNICAMENTE con baterías de botón CR2032 de 3 V.
- NO recargar, desmontar, calentar por encima de 212 °F (100 °C) ni incinerar.

Para reemplazar la batería, haga palanca en el medio primero y luego en cada lado con la presilla de la visera. Inserte la batería de repuesto con el lado positivo (+) para arriba. Reemplace las baterías con baterías de botón CR2032 de 3 V solamente. Deseche las baterías agotadas correctamente.



Resolución de problemas

Tabla de diagnóstico

Su abrepuertas de garaje está programado con funciones de autodiagnóstico. Las flechas UP (SUBIDA) y DOWN (BAJADA) en el abrepuertas de garaje parpadearán los códigos de diagnóstico.

CÓDIGO DE DIAGNÓSTICO		SÍNTOMA	SOLUCIÓN
La flecha Up (Subida) parpadea	La flecha Down (Bajada) parpadea		
1	1	El abrepuertas de garaje no se cerrará.	Los sensores de inversión de seguridad no están instalados, conectados o los cables podrían estar cortados. Inspeccione los cables del sensor en busca de un cable desconectado o cortado.
1	2	El abrepuertas de garaje no se cerrará.	Hay un cable en cortocircuito o invertido en los sensores de inversión de seguridad. Inspeccione el cable del sensor de seguridad en todos los puntos de conexión y grapas, reemplace el cable o corrija según sea necesario.
1	3	El control de la puerta no funcionará.	Los cables del control de la puerta están en cortocircuito o el control de la puerta está averiado. Inspeccione los cables del control de la puerta en todos los puntos de conexión y grapas, reemplace el cable o corrija según sea necesario.
1	4	El abrepuertas de garaje no se cerrará.	Los sensores de inversión de seguridad no están alineados o tuvieron una obstrucción momentánea. Vuelva a alinear ambos sensores hasta que ambos LED estén encendidos fijos. Asegúrese de que nada cuelgue ni esté montado sobre la puerta que pueda interrumpir el camino de los sensores mientras se cierra.
1	5	La puerta se mueve 6-8" (15-20 cm) y se detiene o retrocede.	Abra y cierre la puerta manualmente. Verifique si se atora o hay obstrucciones, como un resorte roto o una traba de la puerta, y corrija según corresponda. Verifique las conexiones de cableado en el módulo de desplazamiento y en la tarjeta lógica. Reemplace el módulo de desplazamiento de ser necesario.
		No hay movimiento, solo se oye un clic.	Abra y cierre la puerta manualmente. Verifique si se atora o hay obstrucciones, como un resorte roto o una traba de la puerta, y corrija según corresponda. Reemplace la tarjeta lógica de ser necesario.
		El abrepuertas emite un ruido por 1-2 segundos y no se mueve.	Abra y cierre la puerta manualmente. Verifique si se atora o hay obstrucciones, como un resorte roto o una traba de la puerta, y corrija según corresponda. Reemplace el motor de ser necesario.
1	6	La puerta rueda después de detenerse por completo.	Programa el recorrido hasta la posición en la que rueda o haga que un técnico capacitado en sistemas de puertas la balancee.
2	1-5	No hay movimiento ni sonido.	Reemplace la tarjeta lógica.
3	2	No se pudo establecer el recorrido o retener la posición.	Verifique que el módulo de desplazamiento esté bien ensamblado y reemplácelo de ser necesario.
3	3	El LED de estado de la batería está parpadeando constantemente en verde. *	Error en el circuito de carga de la batería de respaldo, reemplace la tarjeta lógica. * (si es aplicable)

Resolución de problemas

CÓDIGO DE DIAGNÓSTICO		SÍNTOMA	SOLUCIÓN
La flecha Up (Subida) parpadea	La flecha Down (Bajada) parpadea		
4	1-4	La puerta se mueve, se detiene o retrocede. El abrepuertas emite un pitido y las luces parpadean.	Abra y cierre la puerta manualmente. Verifique si se atora o hay obstrucciones, como un resorte roto o una traba de la puerta, y corrija según corresponda. Si la puerta se atasca o adhiere, llame a un técnico capacitado en sistemas de puertas. Si la puerta no se atasca ni adhiere, intente reprogramar el recorrido (consulte la página 33).
4	5	La puerta se mueve 6-8" (15-20 cm) y se detiene o retrocede.	Error de comunicación en el módulo de desplazamiento. Verifique que las conexiones del módulo de desplazamiento y reemplácelo de ser necesario.
4	6	El abrepuertas de garaje no se cerrará.	Los sensores de inversión de seguridad no están alineados o tuvieron una obstrucción momentánea. Vuelva a alinear ambos sensores hasta que ambos LED estén encendidos fijos y no parpadeando. Asegúrese de que nada cuelgue ni esté montado sobre la puerta que pueda interrumpir el camino de los sensores mientras se cierra.

El abrepuertas de garaje NO entra en el modo LEARN (APRENDER) del Wi-Fi®:

- Después de la instalación inicial del abrepuertas de garaje, este deberá completar un ciclo entero (abrirse y cerrarse) antes de que se pueda activar el modo LEARN (APRENDER) del Wi-Fi.
- Si ha habido un corte de luz reciente, el abrepuertas de garaje deberá completar un ciclo entero antes de que se pueda activar el modo LEARN (APRENDER) del Wi-Fi.

Consulte la página 39 para activar el modo LEARN (APRENDER) del Wi-Fi.

El abrepuertas de garaje no se puede conectar a su red Wi-Fi doméstica:

- Asegúrese de haber ingresado correctamente el número de serie myQ® y vuelva a intentarlo. Los caracteres myQ® disponibles son solo A-F y 0-9.
- La señal Wi-Fi es débil en el garaje. Asegúrese de que la señal Wi-Fi llegue al garaje, consulte la página 4 o visite LiftMaster.com/Customer-Support para obtener más información.

Mi puerta no se cierra:

El sensor de inversión de seguridad debe estar conectado y alineado correctamente antes de que el abrepuertas de garaje pueda moverse en la dirección de bajada.

- Compruebe que no haya atascos u obstrucciones en el recorrido del piso del garaje.
- El sensor de inversión de seguridad debe estar conectado y alineado correctamente antes de que el abrepuertas de garaje pueda moverse en la dirección de bajada.
 - Verifique que los sensores de inversión de seguridad estén correctamente instalados, alineados y sin obstrucciones.

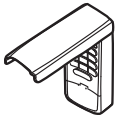



El control remoto de mi vecino abre mi puerta de garaje:



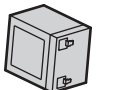

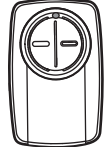


Borre la memoria de su abrepuertas de garaje y re programe el control remoto.

El Homelink® de mi vehículo no se programa con mi abrepuertas de garaje:

Según la marca, modelo y año de su vehículo, puede requerir un adaptador externo. Visite www.homelink.com para obtener más información.

Accesorios

- | | | | | | |
|--|---|---|--|--|---|
| 878MAX
 | Ingreso sin llave inalámbrico MAX:
Para usar fuera de la casa a fin de permitir el acceso al garaje mediante un PIN de 4 dígitos. Funciona con TODOS los abrepuertas LiftMaster desde el año 1993 hasta el presente. | 893MAX
 | Control remoto MAX de 3 botones:
Compatible con los abrepuertas de garaje LiftMaster fabricados desde 1993. Incluye presilla de visera. | 880LMW
 | Panel de control inteligente:
Muestra la temperatura, la hora y un diagnóstico de sistema; incluye una barra de empuje para abrir y cerrar la puerta y una función de bloqueo para mayor seguridad. Compatible con Security+ 2.0 y Wi-Fi. |
| 819LMB
 | myQ® Home Bridge:
Agregue compatibilidad Apple® HomeKit™ a su abrepuertas de garaje con myQ®. Use Siri® para abrir, cerrar y verificar el estado de su puerta.

<small>Apple es una marca comercial de Apple Inc., registrada en los EE. UU. y otros países. HomeKit es una marca comercial de Apple Inc.</small> | 891LM
 | Control remoto con un solo botón:
Compatible con los abrepuertas de garaje LiftMaster fabricados desde 1993. Incluye presilla de visera. | 882LMW
 | Panel de control multifunción:
Compatible con Security+ 2.0 y Wi-Fi. |
| 485LM
 | Batería de 12 V para el sistema de respaldo:
Brinda energía de respaldo al abrepuertas de garaje. | 374UT
 | Control remoto universal miniatura:
El control remoto universal miniatura se puede programar para activar hasta dos productos, como un abrepuertas de garaje, controles de luz®, un operador de puerta o un operador de puerta comercial. | 380UT
 | Control remoto universal:
El control remoto universal miniatura se puede programar para activar hasta dos productos, como un abrepuertas de garaje, controles de luz®, un operador de puerta o un operador de puerta comercial. |
| 881LMW
 | Panel de control de detección de movimiento con control de temporizador para cerrar:
Panel de control multifunción con sensor de movimiento que enciende automáticamente las luces del abrepuertas cuando detecta que una persona entra al garaje. Compatible con Security+ 2.0 y Wi-Fi. | 886LMW
 | Panel de control de detección de movimiento:
Panel de control multifunción con sensor de movimiento que enciende automáticamente las luces del abrepuertas cuando detecta que una persona entra al garaje. Compatible con Security+ 2.0 y Wi-Fi. | | |

Garantía

PERÍODO DE GARANTÍA					
Modelos	Piezas	Motor	Accesorios	Cinta	Batería de respaldo*
8160W 8165W 8164W	1 año	4 años	1 año	N/D	N/D
8160WB	1 año	4 años	1 año	N/D	1 año
8155W	1 año	4 años	1 año	10 años	N/D

El funcionamiento correcto de este producto depende del cumplimiento de las instrucciones relativas a la instalación, el funcionamiento, el mantenimiento y las pruebas. No cumplir estrictamente con esas instrucciones anulará en su totalidad a esta garantía limitada.

Si durante el período de garantía limitada este producto parece tener un defecto que está cubierto por esta garantía limitada, llame a la línea gratuita 1-800-528-9131 antes de desmontar dicho producto. Se le informará sobre las instrucciones de desmontaje y envío cuando llame. Luego envíe el producto o componente, con envío prepagado y asegurado como se le instruya, a nuestro centro de servicio para la reparación bajo garantía. Incluya una breve descripción del problema y un recibo de prueba de compra fechado con cualquier producto devuelto para su reparación bajo la garantía. Los productos devueltos al Vendedor para su reparación bajo la garantía, una vez que los reciba el Vendedor y se confirmen como defectuosos y cubiertos por esta garantía limitada, serán reparados o reemplazados (a elección exclusiva del Vendedor) sin costo para usted y devueltos con el envío prepagado. Las piezas defectuosas serán reparadas o reemplazadas por piezas nuevas o reconstruidas en fábrica a discreción del Vendedor. [Usted es responsable de los costos incurridos al desinstalar y/o reinstalar el producto o cualquier componente].

TODAS LAS GARANTÍAS IMPLÍCITAS PARA EL PRODUCTO, INCLUIDAS, PERO SIN LIMITARSE A, CUALQUIER GARANTÍA IMPLÍCITA DE COMERCIABILIDAD E IDONEIDAD PARA UN PROPÓSITO EN PARTICULAR, TIENEN UNA DURACIÓN QUE SE LIMITA AL PERÍODO DE GARANTÍA LIMITADA APLICABLE ESTABLECIDO ANTERIORMENTE PARA LOS COMPONENTES RELACIONADOS, Y NO EXISTIRÁ NI SE APLICARÁ NINGUNA GARANTÍA IMPLÍCITA DESPUÉS DE DICHO PERÍODO. Algunos estados y provincias no permiten limitaciones sobre la duración de una garantía implícita, por lo que es posible que la limitación anterior no sea aplicable en su caso. ESTA GARANTÍA LIMITADA NO CUBRE LOS DAÑOS QUE NO SE DEBAN A DEFECTOS, LOS DAÑOS DEBIDOS UNA INSTALACIÓN, FUNCIONAMIENTO O CUIDADO INADECUADOS (INCLUIDOS, PERO SIN LIMITARSE A, EL ABUSO, MAL USO, FALTA DEL MANTENIMIENTO RAZONABLE Y NECESARIO, LAS REPARACIONES NO AUTORIZADAS O CUALQUIER ALTERACIÓN DE ESTE PRODUCTO), LOS CARGOS POR REINSTALAR UNA UNIDAD REPARADA O REEMPLAZADA, EL REEMPLAZO DE ARTÍCULOS CONSUMIBLES (POR EJEMPLO, LAS BATERÍAS EN LOS TRANSMISORES DEL CONTROL REMOTO Y LAS BOMBILLAS), O LAS UNIDADES INSTALADAS PARA USO NO RESIDENCIAL. ESTA GARANTÍA LIMITADA NO CUBRE NINGÚN PROBLEMA CON, O RELACIONADO CON, LA PUERTA DEL GARAJE O EL HERRAJE DE LA PUERTA DEL GARAJE, INCLUIDOS, PERO SIN LIMITARSE A, LOS RESORTES DE LA PUERTA, LOS RODILLOS DE LA PUERTA, LA ALINEACIÓN DE LA PUERTA O LAS BISAGRAS. ESTA GARANTÍA LIMITADA TAMPOCO CUBRE NINGÚN PROBLEMA CAUSADO POR LAS INTERFERENCIAS. BAJO NINGUNA CIRCUNSTANCIA, EL VENDEDOR SERÁ RESPONSABLE DE DAÑOS CONSECUENTES, INCIDENTALES O ESPECIALES QUE SURJAN EN RELACIÓN CON EL USO O LA INCAPACIDAD DE USO DE ESTE PRODUCTO. EN NINGÚN CASO LA RESPONSABILIDAD DEL VENDEDOR POR EL INCUMPLIMIENTO DE LA GARANTÍA, EL INCUMPLIMIENTO DEL CONTRATO, LA NEGLIGENCIA O RESPONSABILIDAD ESTRICTA EXCEDERÁ EL COSTO DEL PRODUCTO CUBIERTO POR EL PRESENTE. NINGUNA PERSONA ESTÁ AUTORIZADA A ASUMIR POR NOSOTROS NINGUNA OTRA RESPONSABILIDAD EN RELACIÓN CON LA VENTA DE ESTE PRODUCTO.

Algunos estados y provincias no permiten la exclusión o limitación de daños emergentes, incidentales o especiales, por lo que es posible que la limitación o exclusión anterior no sea aplicable en su caso. Esta garantía limitada le otorga derechos legales específicos, y también puede tener otros derechos que varían de estado a estado y de provincia a provincia.

*Si corresponde

Guía de seguridad y mantenimiento del abrepuertas de garaje automático

Seguridad del abrepuertas de garaje: una solución automática

Una puerta de garaje es el objeto móvil más grande de la casa. Una puerta de garaje y un abrepuertas mal ajustados pueden ejercer una fuerza letal cuando la puerta se cierra, lo que podría provocar que niños o adultos queden atrapados y que se produzcan lesiones o la muerte.

La instalación, operación, mantenimiento y prueba adecuados de la puerta del garaje y el abrepuertas automático son necesarios para proporcionar un sistema seguro y sin problemas. La operación descuidada o permitir que los niños jueguen o usen los controles del abrepuertas de garaje son situaciones peligrosas también que pueden conducir a resultados trágicos. Algunas precauciones simples pueden proteger a su familia y amigos de posibles daños. Lea atentamente los consejos de seguridad y mantenimiento de esta guía y consérvela como referencia. Verifique el funcionamiento de la puerta y abrepuertas de su garaje para asegurarse de que funcionen de manera segura y sin problemas. Asegúrese de leer toda la Información importante de seguridad que se encuentra en el manual del abrepuertas de garaje, ya que este proporciona más detalles y consideraciones de seguridad que los que se pueden proporcionar con esta guía.

Los abrepuertas de garaje no son juguetes

Hable con sus hijos sobre la seguridad de la puerta del garaje y del abrepuertas. Explique el peligro de quedar atrapado debajo de la puerta.



Manténgase alejado de una puerta en movimiento.



El botón pulsador montado en la pared debe estar fuera del alcance de los niños, al menos a 5 pies de la superficie de apoyo más cercana y lejos de todas las partes móviles. Monte y use el botón donde pueda ver claramente la puerta del garaje al cerrarse.



Mantenga los transmisores y controles remotos fuera del alcance de los niños. No permita que los niños jueguen o utilicen los transmisores u otros dispositivos de control remoto.



Mantenga la puerta a la vista hasta que se cierre por completo cuando utilice el botón pulsador o transmisor montado en la pared.

El mantenimiento de rutina puede prevenir tragedias

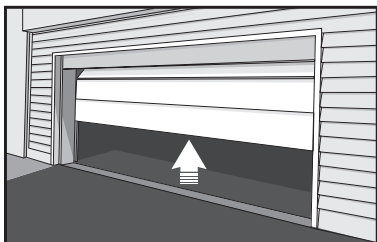
Haga que la inspección y prueba mensual de la puerta de su garaje y el sistema de apertura sean parte de su rutina habitual. Revise el manual del propietario tanto para la puerta como para el abrepuertas. Si no tiene los manuales del propietario, comuníquese con el (los) fabricante(s) y solicite una copia para su(s) modelo(s) específico(s). Busque el número de modelo del abrepuertas en la parte posterior de la unidad de alimentación.

⚠ ADVERTENCIA: LOS RESORTES ESTÁN SOMETIDOS A ALTA TENSIÓN. SOLO PERSONAS CALIFICADAS DEBEN AJUSTARLOS.



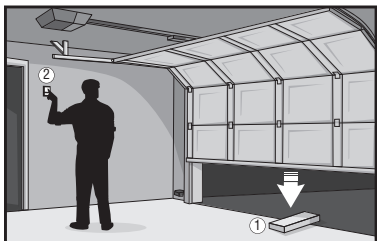
Verifique visualmente la puerta y la instalación:

- Comenzando con la puerta en la posición cerrada, use la desconexión manual en el abrepuertas para desconectar la puerta.
- Busque signos de desgaste o daños en las bisagras, rodillos, resortes y paneles de puertas.
- Estas piezas pueden requerir lubricación periódica. Consulte el manual del propietario para obtener información sobre el mantenimiento sugerido.
- Si hay signos evidentes de daño, comuníquese con un técnico capacitado en sistemas de puertas para obtener ayuda.
- Verifique que la altura de la fotocélula no sea superior a 6" desde el piso del garaje.



Pruebe que la puerta funciona correctamente:

- Abra y cierre la puerta manualmente utilizando manijas o puntos de agarre adecuados.
- La puerta debe moverse libremente y sin dificultad.
- **La puerta debe permanecer en equilibrio y parcialmente abierta a 3 o 4 pies sobre el piso.**
- Si detecta algún signo de funcionamiento incorrecto, comuníquese con un técnico capacitado en sistemas de puertas para obtener ayuda.



Pruebe las características de seguridad del abrepuertas:

- Vuelva a conectar el abrepuertas a la puerta usando la desconexión manual y abra la puerta.
- Coloque una tabla de 2x4 plana en el camino de la puerta (1) e intente cerrarla (2). La puerta debe detenerse cuando entre en contacto con la tabla de 2x4 y luego invertir la dirección de movimiento.
- Bloquee el sensor fotoeléctrico moviendo un objeto frente al sensor e intente cerrar la puerta. La puerta no debe cerrarse a menos que el botón pulsador montado en la pared se mantenga presionado manualmente durante el funcionamiento.
- Si el abrepuertas no funciona como se describe, comuníquese con un técnico capacitado en sistemas de puertas para obtener ayuda.



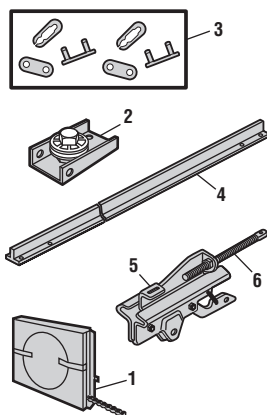
Piezas de repuesto

Modelos 8160W, 8160WB, 8164W y 8165W

Para el riel cuadrado, consulte las instrucciones incluidas en el LMSSRKIT.

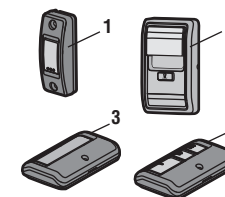
PIEZAS PARA MONTAR EL RIEL

Descripción	Número de pieza
1 Cadena - para puerta de 7 pies	041D3484
Cadena - para puerta de 8 pies	041D3483
Cadena - para puerta de 10 pies	041D3485
2 Soporte de polea de cadena	041A4813
3 Conector maestro	004A1008
4 Riel de una pieza de 7 pies (2.1 m)	1707LM
Riel de una pieza de 8 pies (2.4 m)	1708LM
Riel de una pieza de 10 pies (3 m)	1710LM
5 El conjunto del carro incluye: Eje enroscado (1), tuercas (2), arandela (1), pasador de horquilla (1), anillo (1), enlace maestro (1), extensión de la cadena	041A3489
6 Eje roscado del carro	041A6689
No se muestra	
Grasa para riel	K083A0011-1



ACCESORIOS

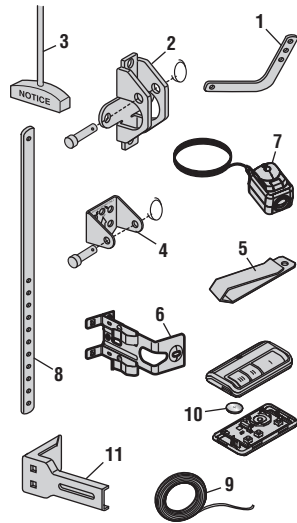
Descripción	Número de pieza
1 Control de la puerta con botón pulsador Modelo 8164W	883LMW
2 Panel de control multifunción Modelos 8160W, 8160WB y 8165W	882LMW
3 Control remoto de 1 botón Modelo 8164W	891LM
4 Control remoto de 3 botones Modelos 8160W, 8160WB y 8165W	893LM



Piezas de repuesto

PIEZAS DE INSTALACIÓN

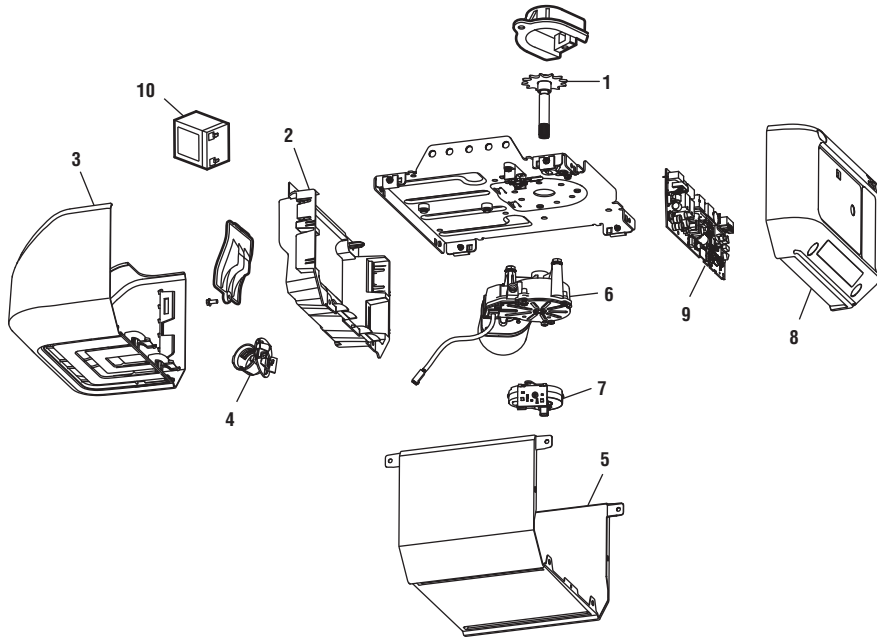
Descripción	Número de pieza
1 Brazo curvo de la puerta	041B0035B
2 Soporte de la puerta con pasador de horquilla y sujetador	041A5047
3 Soga y manija de liberación de emergencia	041A2828
4 Soporte del cabezal con pasador de horquilla y sujetador	041A4353
5 Presilla del visor del control remoto	K029B0137
6 Soporte del sensor de seguridad	041-0155-000
7 Kit de sensor de seguridad con sensores receptores y emisores con cable de 3 conductores de 3 pies (0.9 m)	041-0136-000
8 Brazo recto de la puerta	4178B0034B
9 Cable blanco y rojo/blanco	041B4494-1
10 Batería de litio CR2032 de 3 V	K010A0020
11 Soportes de extensión (opcional)	041A5281-1
No se muestra	
Bolso de herraje de instalación	041A2770-6
Guía del usuario	114-5427B



Piezas de repuesto

Modelos 8160W y 8160WB

PIEZAS DEL ABREPUERTAS DE GARAJE

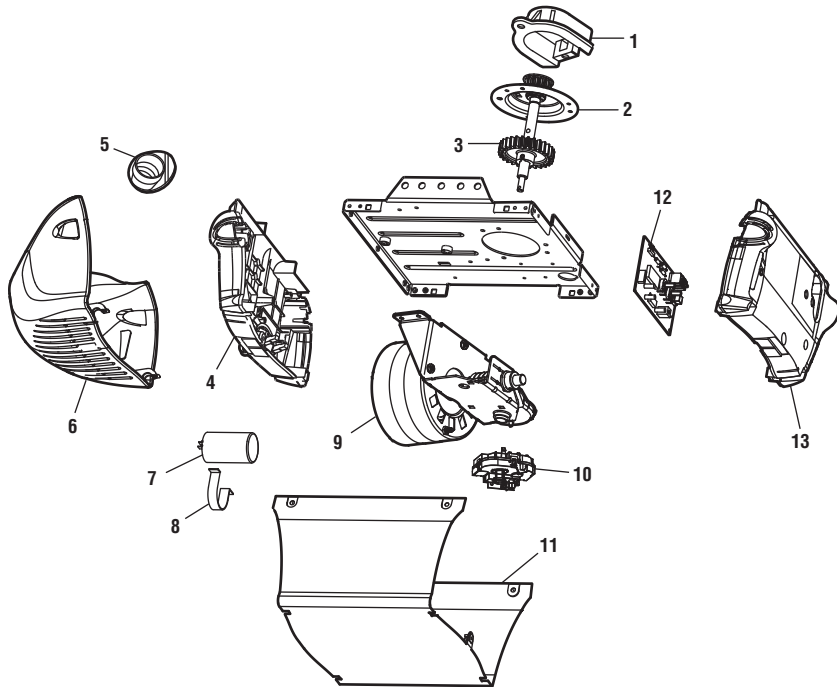


	Descripción	Número de pieza
1	Piñón y cubierta del piñón	041B5348-2
2	Panel del extremo con portalámparas Modelo 8160W	041A7756-1
	Modelo 8160WB	041A7618
3	Lente de luz	041A7562
4	Portalámparas	041C0279
5	Cubierta	041-0133
6	Motor con módulo de desplazamiento	041D8006-1
7	Módulo de recorrido	041D8071-4
8	Panel del extremo de la tarjeta lógica	041D0233-3
9	Tarjeta lógica	050DCTB
10	Batería de respaldo (solo para el modelo 8160WB)	485LM
No se muestra		
	Arnés del cable	041D9069
	Transformador Modelo 8160W	041A7635-1
	Modelo 8160WB	041D0277-1
	Cable de alimentación	041B4245-1
	Bloque del terminal	041A3150

Piezas de repuesto

Modelos 8164W y 8165W

PIEZAS DEL ABREPUERTAS DE GARAJE



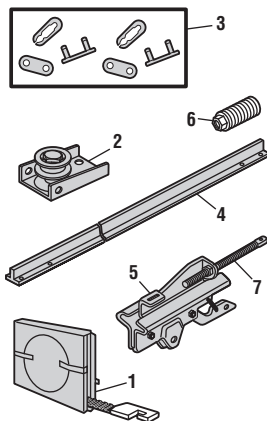
	Descripción	Número de pieza
1	Cubierta del piñón	031D0380M
2	Engranaje y piñón	041C4220A
3	Engranaje de accionamiento y sin fin	041A2817
4	Panel del extremo delantero con todas las etiquetas	041A8393
5	Portalámparas	041C0279
6	Lente de luz	K108D0079M
7	Condensador	030B0532-1
8	Soporte del condensador	K012A0373
9	Motor universal	041D7440
10	Módulo de recorrido	041D7742-7
11	Cubierta	041D9018
12	Tarjeta lógica	050ACTWF
13	Panel del extremo de la tarjeta lógica	041D0239-1
	No se muestra	
	Cable de alimentación	041B4245-1
	Bloque del terminal	041A3150
	Arnés del cable	041A7946

Piezas de repuesto

Modelo 8155W

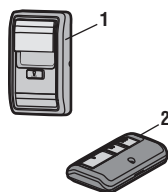
PIEZAS PARA MONTAR EL RIEL

Descripción	Número de pieza
1 Cinta - para puerta de 7 pies Cinta - para puerta de 8 pies Cinta - para puerta de 10 pies	041A5434-11A 041A5434-13A 041A5434-14A
2 soporte de polea y cinta	041B5424
3 Conector maestro	004A1008
4 Riel de una pieza de 7 pies (2.1 m) Riel de una pieza de 8 pies (2.4 m) Riel de una pieza de 10 pies (3 m)	2777BD 2778BD 2770BD
5 El conjunto del carro incluye: Conector maestro (2), Pasador de horquilla (1), Anillo (1), Pasador de cinta (1), Eje roscado (1) y Conjunto del tensor (1)	041B3869-3A
6 Conjunto del tensor	041B4103
7 Eje roscado del carro	041A6689



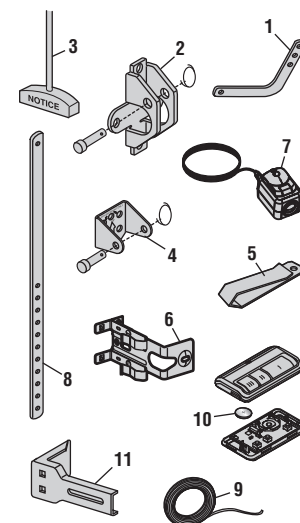
ACCESORIOS

Descripción	Número de pieza
1 Panel de control multifunción	882LMW
2 Control remoto de 3 botones	893LM



PIEZAS DE INSTALACIÓN

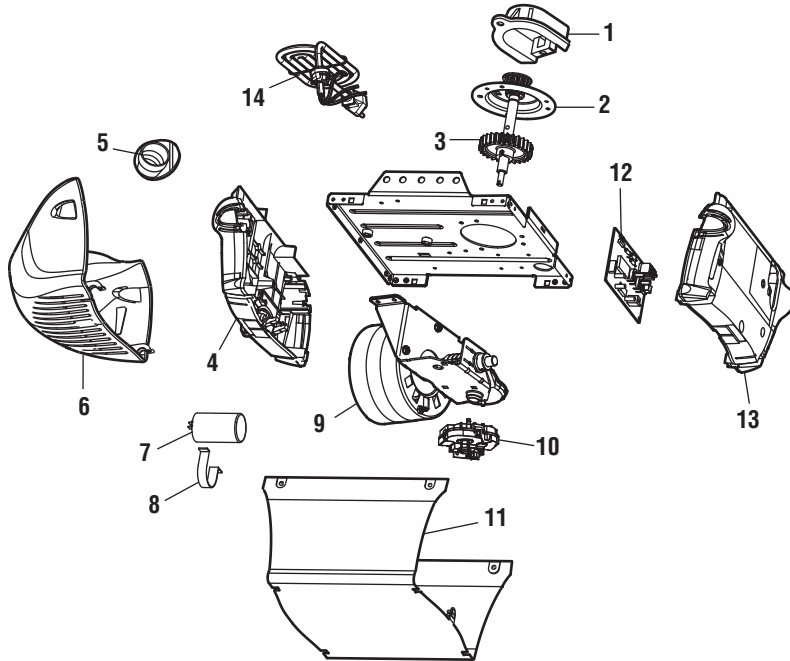
Descripción	Número de pieza
1 Brazo curvo de la puerta	041B0035B
2 Soporte de la puerta con pasador de horquilla y sujetador	041A5047-1
3 Soga y manija de liberación de emergencia	041A2828
4 Soporte del cabezal con pasador de horquilla y sujetador	041A4353-1
5 Presilla del visor del control remoto	K029B0137
6 Soporte del sensor de seguridad	041-0155-000
7 Kit de sensor de seguridad con sensores receptores y emisores con cable de 3 conductores de 3 pies (0.9 m)	041-0136-000
8 Brazo recto de la puerta	4178B0034B
9 Cable blanco y rojo/blanco	041B4494-1
10 Batería de litio CR2032 de 3 V	K010A0020
11 Soportes de extensión (opcional)	041A5281-1
No se muestra	
Bolso de herraje de instalación	041A2770-6
Guía del usuario	114-5427B



Piezas de repuesto

Modelo 8155W

PIEZAS DEL ABREPUERTAS DE GARAJE



	Descripción	Número de pieza
1	Cubierta del piñón	041A4371
2	Engranaje y piñón	041A4885-4
3	Engranaje de accionamiento y sin fin	041A2817
4	Panel del extremo delantero con todas las etiquetas	041A8393
5	Portalámparas	041C0279
6	Lente de luz	K108D0079M
7	Condensador	030B0532-1
8	Soporte del condensador	K012A0373
9	Motor universal	041D7440
10	Módulo de recorrido	041D7742-7
11	Cubierta	041D9018
12	Tarjeta lógica	050ACTWF
13	Panel del extremo de la tarjeta lógica	041D0239-1
14	Cable de alimentación	041B4245-1
	No se muestra	
	Arnés del cable	041A7946
	Bloque del terminal	041A3150

INFORMACIÓN DE CONTACTO:

Use el número de pieza, el nombre de la pieza o el número de modelo para encontrar la información que necesita.

Para las piezas, vaya a la siguiente dirección:

[LiftMaster.com/parts](https://www.liftmaster.com/parts)

Para obtener ayuda y solucionar problemas, diríjase a la siguiente dirección:

support.chamberlaingroup.com